

MATERIAL NO.	ENGINEERING NO.	FINISHED LENGTH
1300660237	CR4000A30M750	75 METERS
1300660165	CR4000A30M070	7 METERS
1300660164	CR4000A30M060	6 METERS
1300660163	CR4000A30M050	5 METERS
1300660162	CR4000A30M030	3 METERS
1300660160	CR4000A30M020	2 METERS
1300660159	CR4000A30M017	1.7 METERS
1300660158	CR4000A30M016	1.6 METERS
1300660157	CR4000A30M013	1.3 METERS
1300660156	CR4000A30M011	1.1 METERS
1300660154	CR4000A30M010	1 METERS
1300660153	CR4000A30M009	0.9 METERS
1300660152	CR4000A30M005	0.5 METERS
1300660150	CR4000A30M003	0.3 METERS
1300660149	CR4000A30A120	12 INCHES
1300662008	CR4000A30M040	4 METERS

CABLE LENGTH TOLERANCES

(F) <.3M [1FT]: +19mm-0 [+1.75in-0]

.3 - <.9M [1 - <3FT]: +44.5mm-0 [+1.75in-0]

.9 - <1.8M [3 - <6FT]: +55.6mm-0 [+2.19in-0]

1.8 - <3.7M [6 - <12FT]: +88.9mm-0 [+3.50in-0]

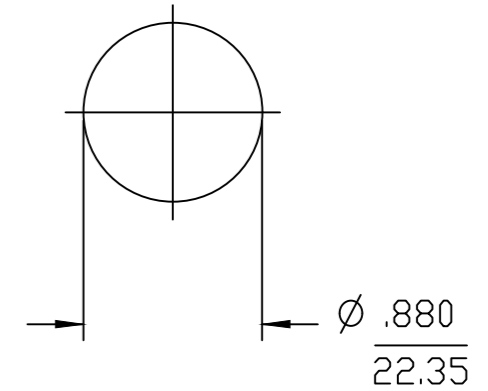
3.7 - <7.3M [12 - <24FT]: +165.1mm-0 [+6.50in-0]

7.3 - <14.6M [24 - <48FT]: +317.5mm-0 [+12.50in-0]

14.6 - <30.5M [48 - <100FT]: +622.3mm-0 [+24.50in-0]

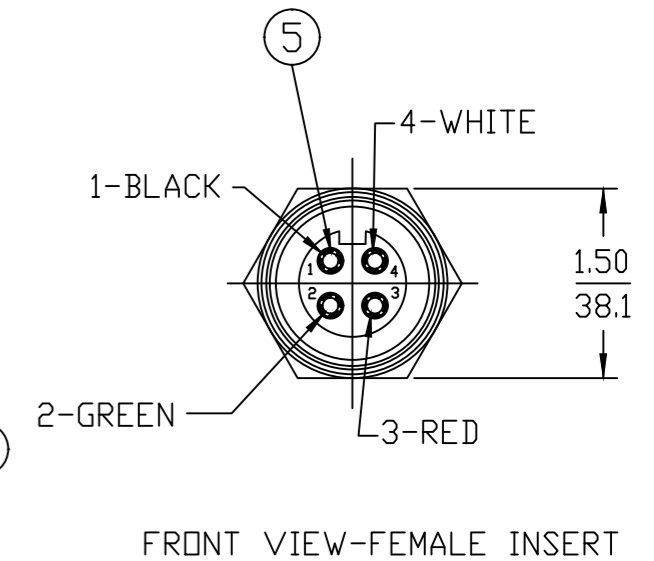
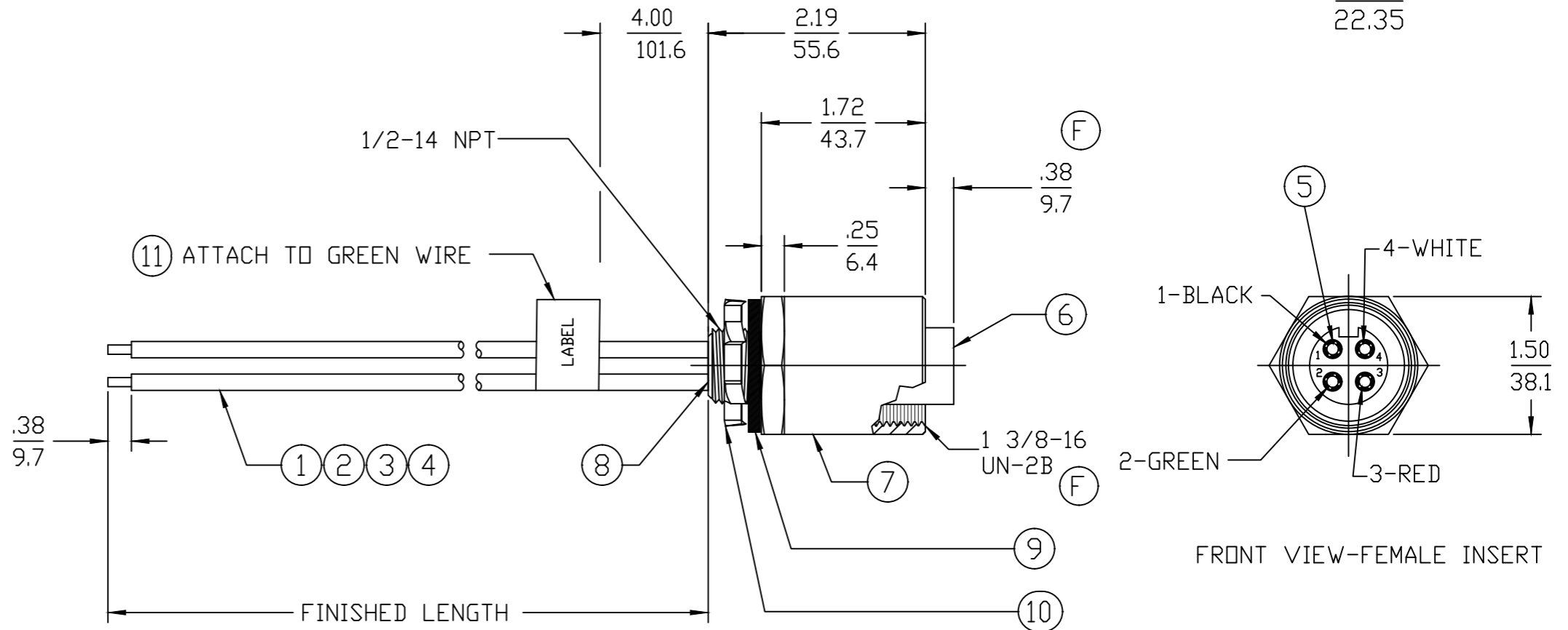
OVER 30M [100FT] +2% OF FINISHED LENGTH

KNOCKOUT HOLE



NOTES:

- MATERIAL: AS NOTED
- FINISHES: AS NOTED
- ELECTRICAL SPECIFICATIONS
VOLTAGE RATING: 500V PER IEC60664
600V PER UL2237
CURRENT RATING: 32 AMPS
- PROTECTION: IP67 (WHEN MATED)
- TEMP RANGE: -20°C TO +90°C
- AGENCY LISTING: E258922, PVVA
- ALL DIMS ARE FOR REFERENCE UNLESS NOTED OTHERWISE



ITEM	DESCRIPTION	MATERIAL	FINISH
11	FLAG LABEL	VINYL	YELLOW
10	LOCK NUT	STEEL	ZINC PLATED
9	GASKET	NEOPRENE	BLACK
8	POTTING	EPOXY	BLACK
7	RECEPTACLE SHELL	ALUMINUM ALLOY	ANODIZED
6	FEMALE INSERT	TPE	BLACK
5	SOCKET CONTACT	COPPER	GOLD PLATED
4	#10-1 AWG UL1015 WIRE	PVC JACKET	RED
3	#10-1 AWG UL1015 WIRE	PVC JACKET	GREEN
2	#10-1 AWG UL1015 WIRE	PVC JACKET	WHITE
1	#10-1 AWG UL1015 WIRE	PVC JACKET	BLACK

PART NO. LEGEND
CR4000A30M005

WIRE TYPE: 10 AWG PVC

FINISHED LENGTH
M005= 0.5 METER
M010= 1 METER
M100= 10 METERS
A120= 12 INCHES

FUNCTIONAL SYMBOLS		THIS DRAWING CONTAINS INFORMATION THAT IS PROPRIETARY TO MOLEX ELECTRONIC TECHNOLOGIES, LLC AND SHOULD NOT BE USED WITHOUT WRITTEN PERMISSION	
DIMENSION UNITS		SCALE	
INCH/MM		1:1	
GENERAL TOLERANCES (UNLESS SPECIFIED)			
4 PLACES		±---	±---
3 PLACES		±---	±---
2 PLACES		±---	±---
1 PLACE		±---	±---
0 PLACES		±---	±---
ANGULAR TOL ± ---°			
DRAFT WHERE APPLICABLE MUST REMAIN WITHIN DIMENSIONS		THIRD ANGLE PROJECTION	
		DRAWING	
		SERIES	
		MATERIAL NUMBER	
		CUSTOMER	
		SHEET NUMBER	

molex

QC FEM 1/2" NPT
4 POLE AC RECEPTACLE 10 AWG

PRODUCT CUSTOMER DRAWING

DOCUMENT NUMBER: SD-130066-025
DOC TYPE: PSD
DOC PART: 001
REVISION: 001 F

EC NO: 736452
DRWN: SAMB12 2023/01/24
CHK'D: RSTONE 2023/02/02
APPR: BWOODMAN 2023/02/06

INITIAL REVISION:
DRWN: MODELL 2009/02/23
APPR: RDEROSS 2009/02/25

B-SIZE 130066
GENERAL MARKET
1 OF 1