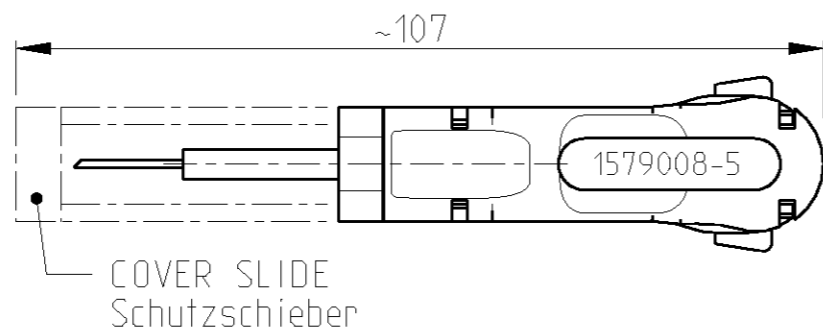
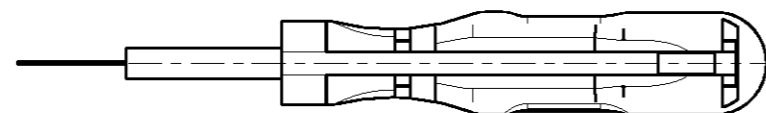
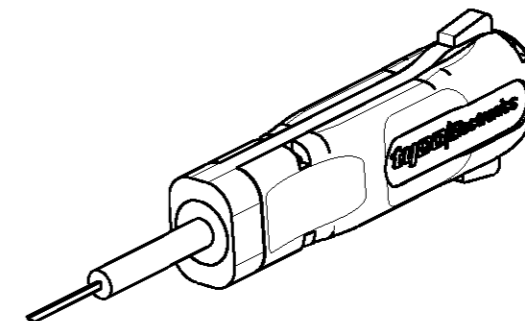
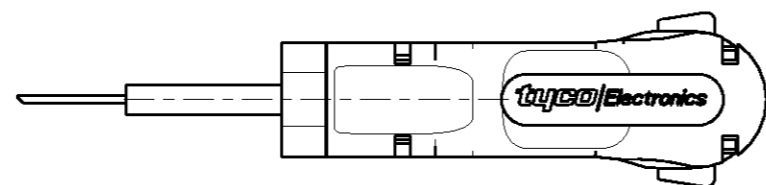


THIS DRAWING IS UNPUBLISHED. RELEASED FOR PUBLICATION 2005  
 © COPYRIGHT 2005 BY TYCO ELECTRONICS CORPORATION. ALL RIGHTS RESERVED.

LOC	DIST	REVISIONS					
		P	LTR	DESCRIPTION	DATE	DWN	APVD
A1	-						



FOR CONTACTS : TAB / FEMALE TYPE F

<small>THIS DRAWING IS A CONTROLLED DOCUMENT FOR TYCO ELECTRONICS CORPORATION          IT IS SUBJECT TO CHANGE AND THE CONTROLLING ENGINEERING ORGANIZATION          SHOULD BE CONTACTED FOR THE LATEST REVISION.</small>		DWN J. ZAJICEK 23NOV2005 CHR - APVD - PRODUCT SPEC - APPLICATION SPEC - WEIGHT -		<b>tyco</b> <b>Electronics</b>		tyco Electronics AMP GmbH D - 64625 Bensheim	
DIMENSIONS: mm 		TOLERANCES UNLESS OTHERWISE SPECIFIED: 0 PLC ± 1 PLC ± 2 PLC ± 3 PLC ± 4 PLC ± ANGLES ±1°		NAME EXTRACTION TOOL Entriegelungswerkzeug			
MATERIAL FINISH -		CUSTOMER DRAWING		SIZE A3	CAGE CODE 00779	DRAWING NO C=1579008-5	RESTRICTED TO -
SCALE 1:1				SHEET 1 OF 1	REV A		