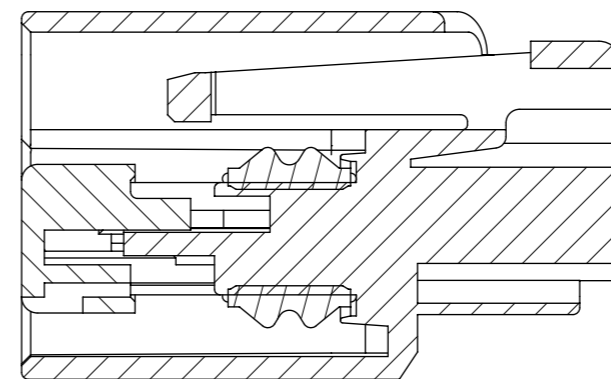
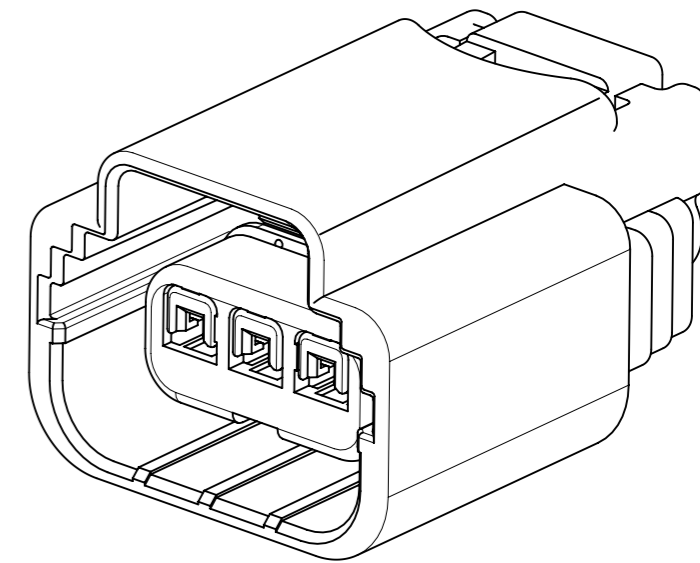
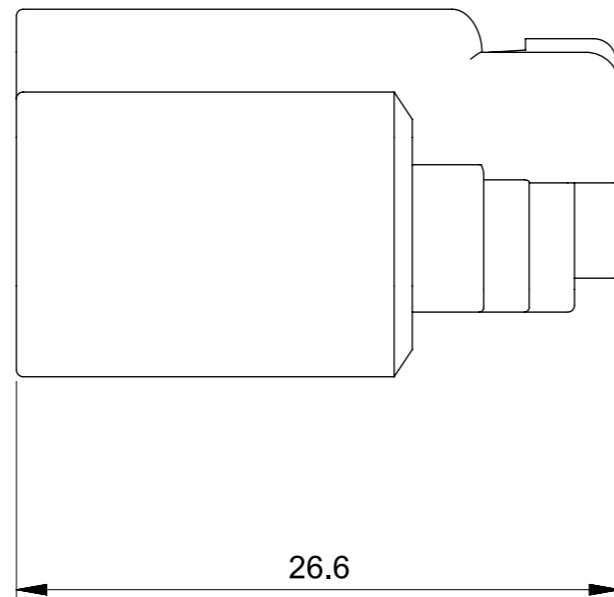
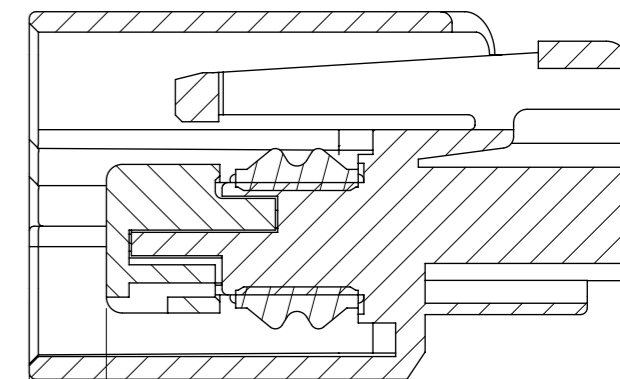


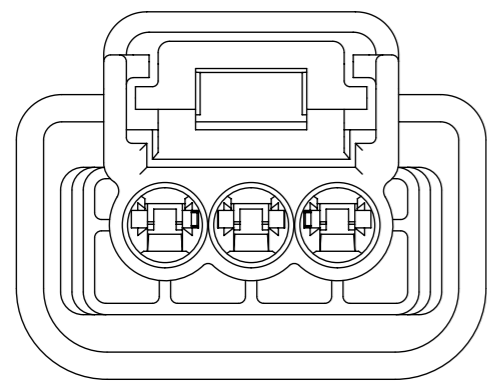
REC HOUSING  
REC TPA  
RING SEAL



SECTION A-A  
TPA IN PRIMARY LOCK POSITION



SECTION A-A  
TPA IN FINAL LOCK POSITION



**NOTES**

1. 適合ターミナル : 2018615000
2. 使用材料  
REC HOUSING : PBT, BLACK  
REC TPA : PBT, NATURAL  
RING SEAL : シリコーン, RED

1. APPLICABLE TERMINAL : 2018615000
2. MATERIAL  
REC HOUSING : PBT, BLACK  
REC TPA : PBT, NATURAL  
RING SEAL : SILICONE, RED

28.3	2024830051	1	5
24.5	2024830041		4
20.7	2024830031		3
A	ORDER NO.	ROW	CKT

FUNCTIONAL SYMBOLS	THIS DRAWING CONTAINS INFORMATION THAT IS PROPRIETARY TO MOLEX ELECTRONIC TECHNOLOGIES, LLC AND SHOULD NOT BE USED WITHOUT WRITTEN PERMISSION		CURRENT REV DESC:	
	△A = 0	mm	NTS	
DIVISIONAL SYMBOLS	GENERAL TOLERANCES (UNLESS SPECIFIED)		PHASE: Design Production	
	△E = 0	ANGULAR TOL ± 3.0°		CO NO: CO-000001319
	4 PLACES	± 0.20000		DRWN: Hideo Yoneyama 2022-08-10
	3 PLACES	± 0.2000		CHK'D: Takashi Iida 2022-08-15
	2 PLACES	± 0.200		APPR: Takashi Iida 2022-08-22
	1 PLACE	± 0.20		INITIAL REVISION:
	0 PLACES	± 0.20		DRWN: Hideo Yoneyama 2021-12-17
	DRAFT WHERE APPLICABLE MUST REMAIN WITHIN DIMENSIONS		THIRD ANGLE PROJECTION	DRAWING SERIES MATERIAL NUMBER CUSTOMER SHEET NUMBER
			A3-SIZE	202483
		2024830001		PSD 000 A1
		GENERAL		1 OF 1