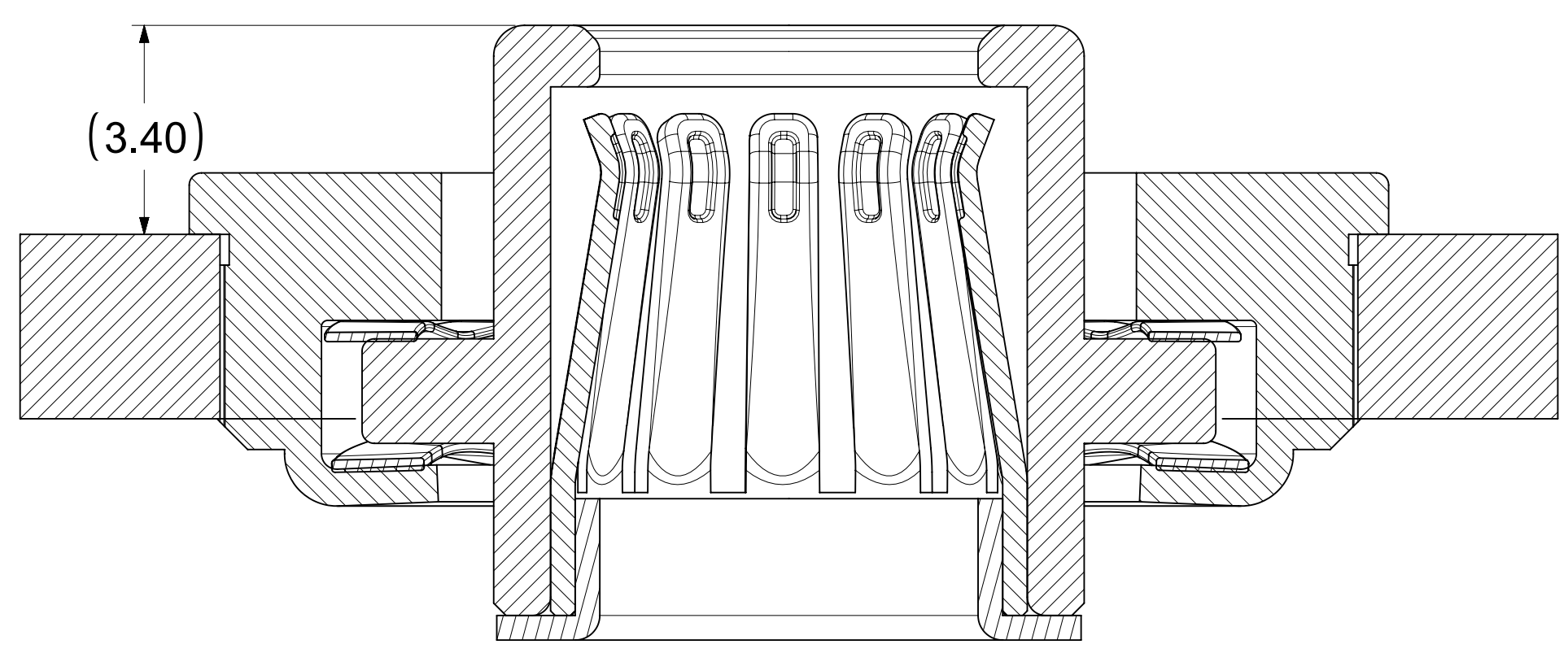
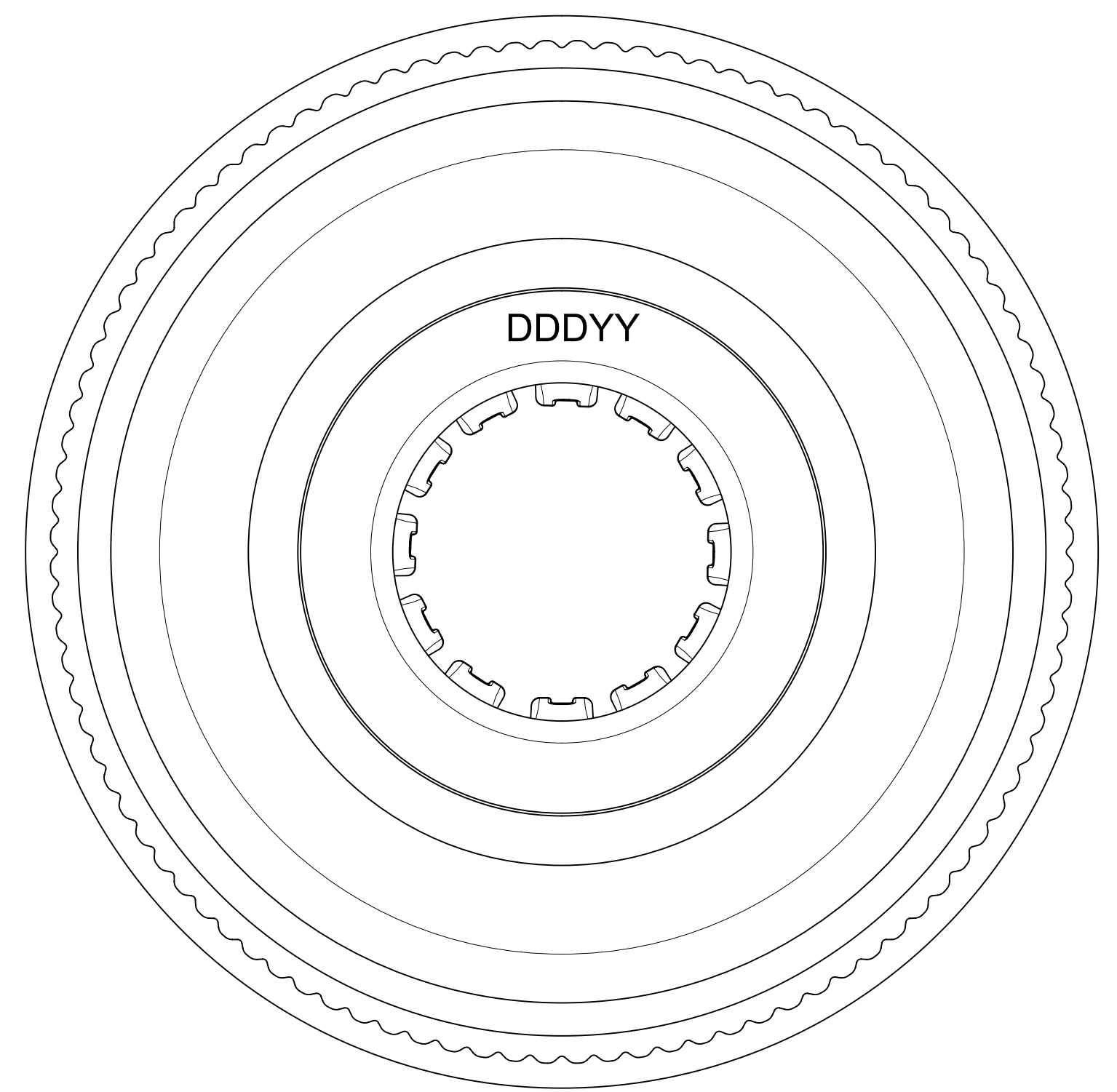


MATING PROFILE



SECTION A-A

NOTES:

1. MATERIALS: COPPER ALLOY  
RETENTION CAP: STAINLESS STEEL
2. PLATING:
  - i. CONTACT AREA: GOLD.
  - ii. REST AREA: SILVER WITH TARNISH INHIBITOR
3. MATES WITH THE STANDARD PIN DRAWINGS:
  - i. 6.0MM SMT DRAWING 2032630136-SD, MIN MATING DISTANCE 6.15MM
  - ii. 6.0MM PRESS FIT DRAWING 2032630006-SD, MIN MATING DISTANCE 5.9MM
  - iii. 6.0MM SCREW MOUNT DRAWING 2032636185-SD, MIN MATING DISTANCE 8.9MM
4. PRODUCT SPECIFICATION: 2043130006-PS
5. APPLICATION SPECIFICATION: 2043130006-AS
6. PACKAGING SPECIFICATION: 2043650006-PK
7. SILVER COMPONENTS WILL BE SUPPLIED TARNISH FREE BUT MAY TARNISH OVER TIME.
8. DATE CODE TO BE LASER MARKED APPROXIMATELY WHERE SHOWN USING DDYY FORMAT

THIS DRAWING CONTAINS INFORMATION THAT IS PROPRIETARY TO MOLEX ELECTRONIC TECHNOLOGIES, LLC AND SHOULD NOT BE USED WITHOUT WRITTEN PERMISSION											
DIMENSION UNITS		SCALE		CURRENT REV DESC: NOTE UPDATED							
mm		NTS									
GENERAL TOLERANCES (UNLESS SPECIFIED)											
ANGULAR TOL				± °							
4 PLACES		±		EC NO: 659957				2020/12/18			
3 PLACES		±		DRWN: PRADEA				2021/04/06			
2 PLACES		± 0.15		CHK'D: JJONIAK				2021/04/06			
1 PLACE		± 0.25		APPR: JJONIAK				2021/04/06			
0 PLACES		±		INITIAL REVISION:							
				DRWN: FCSOO				2018/08/23			
				APPR: BPISZCZOR				2019/05/30			
DRAFT WHERE APPLICABLE MUST REMAIN WITHIN DIMENSIONS				THIRD ANGLE PROJECTION		DRAWING		SERIES		MATERIAL NUMBER	
						D-SIZE		204313		2043130006	
						GENERAL MARKET				SHEET NUMBER	
										1 OF 1	



6MM COEUR PRESSFIT WITH FLOAT

PRODUCT CUSTOMER DRAWING

DOCUMENT NUMBER	DOC TYPE	DOC PART	REVISION
2043130006-SD	PSD	000	B