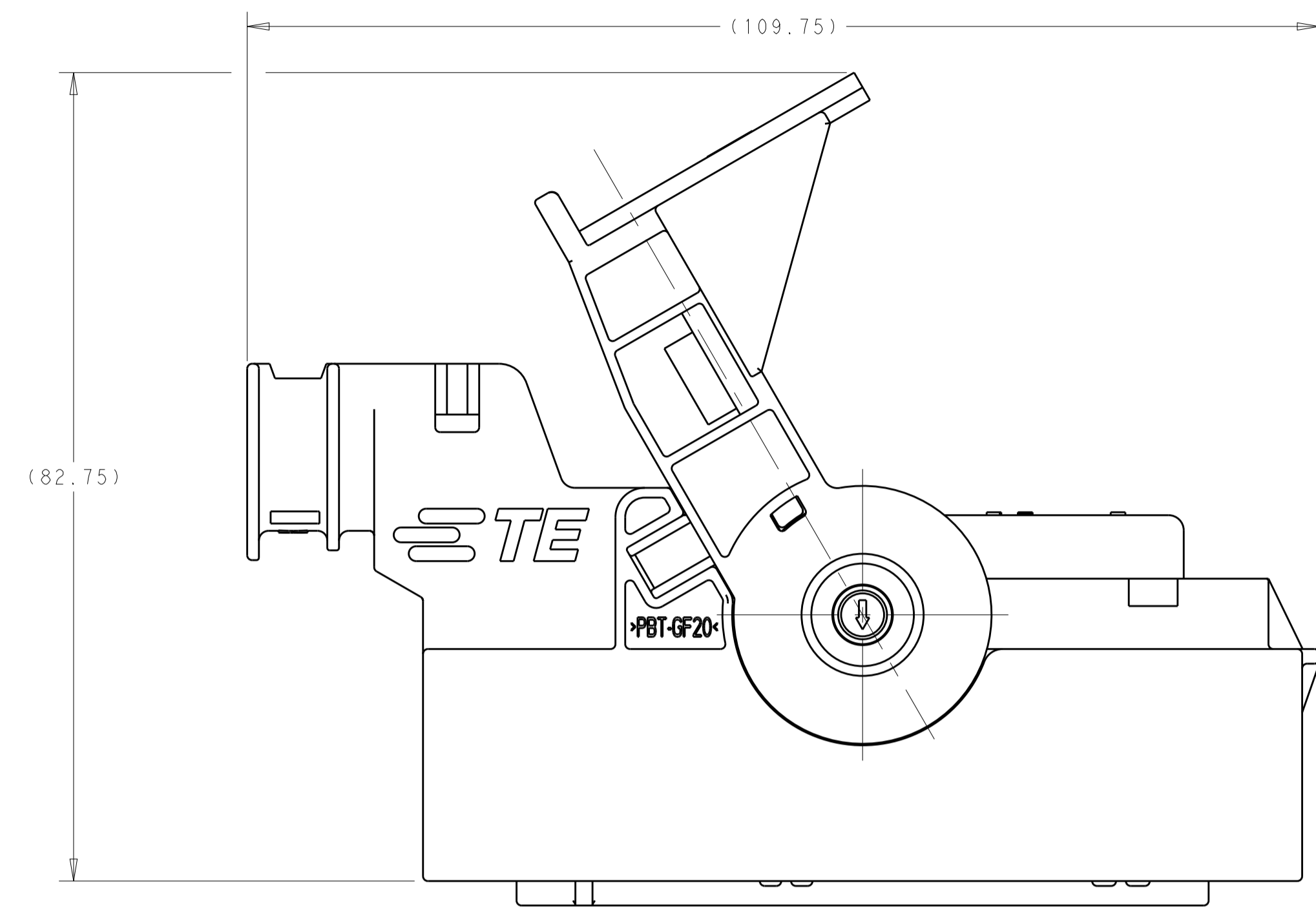


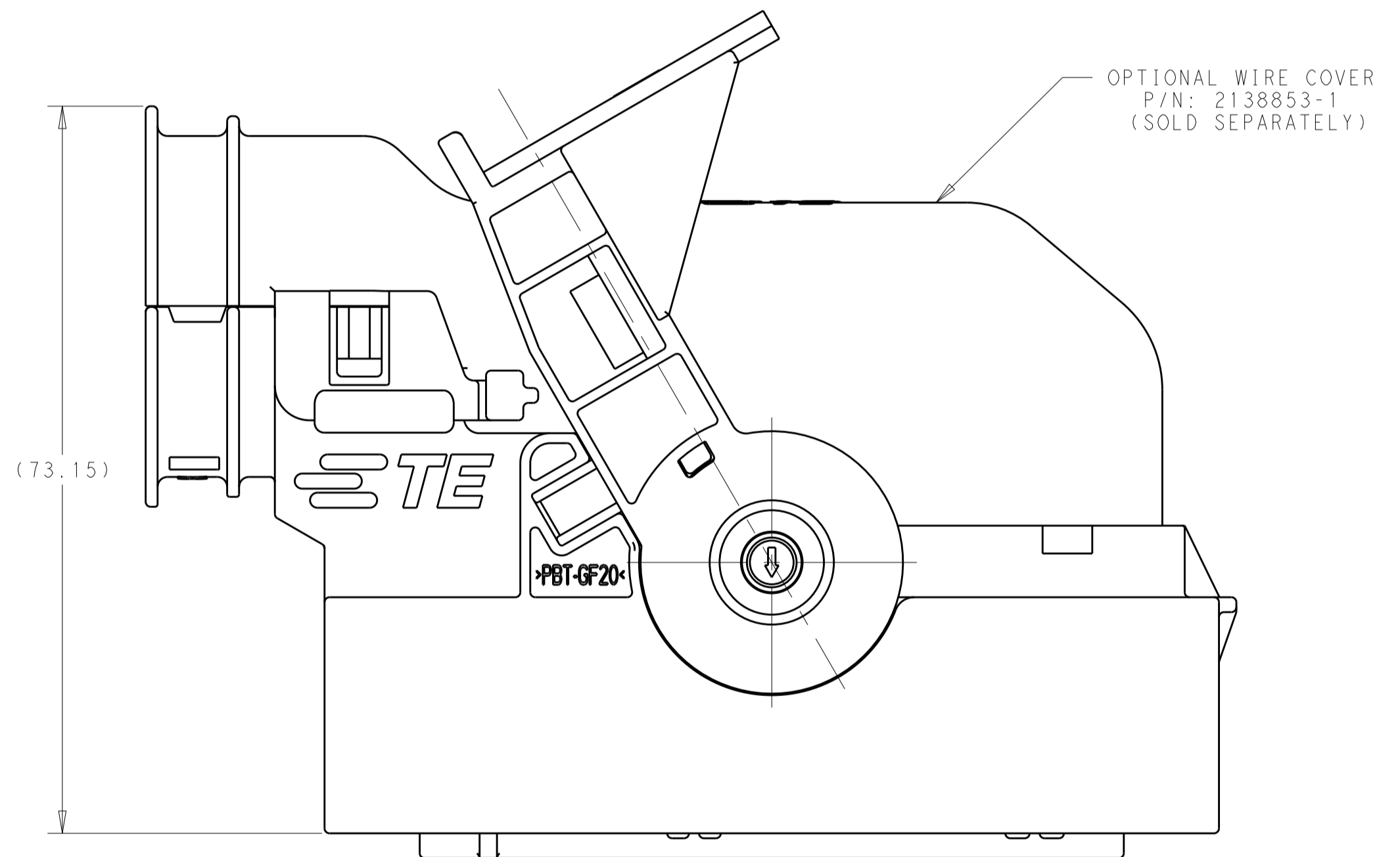
2138839-1 SHOWN  
 LEVER SHOWN IN CLOSED  
 (AS SHIPPED) POSITION

REVISIONS					
P.	LTN.	DESCRIPTION	DATE	DWN.	APVD.
A		RELEASED PER ECO-13-013884	29AUG2013	RGV	RN
A1		REVISED PER ECO-14-012597	18AUG2014	DD	RN
B		REVISED PER ECO-15-004715	27MAR2015	JM	RN



1. MATING PART: TE P/N 2138846-X.
2. DESIGNED FOR CORRUGATED TUBE NW26.
3. TPA SHOWN IN PRE-STAGED (AS SHIPPED) POSITION.
4. KEY MARKING IN APPROXIMATE AREA SHOWN.
5. ASSEMBLY P/N AND DATE CODE MARKED IN APPROXIMATE AREA SHOWN. SEE TABLE FOR P/N TO KEY RELATIONSHIP.
6. SEE TABLE FOR PLUG HOUSING COLOR TO KEY RELATIONSHIP.

LEVER SHOWN IN OPEN POSITION



LEVER SHOWN IN OPEN POSITION  
 WITH OPTIONAL WIRE COVER

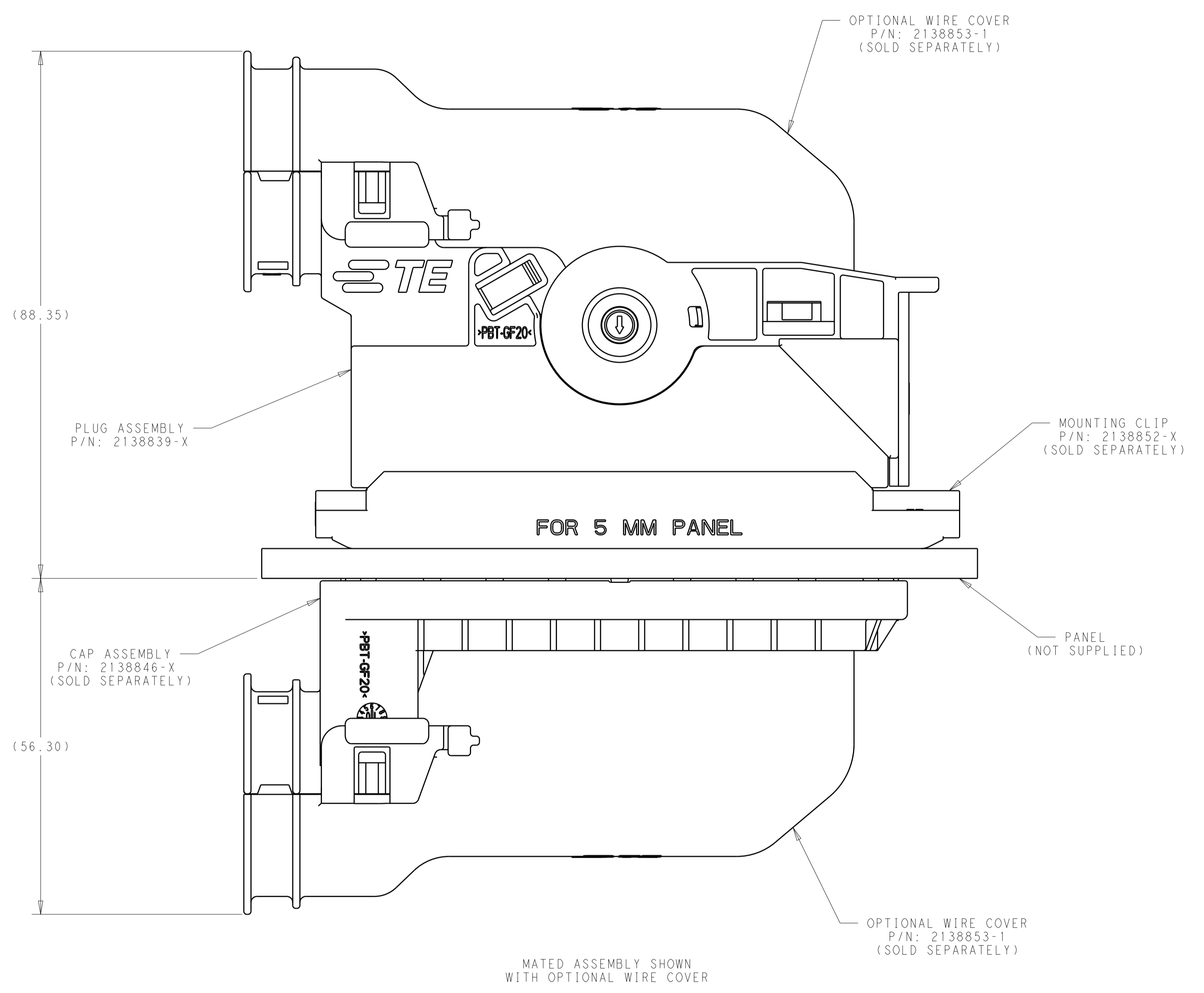
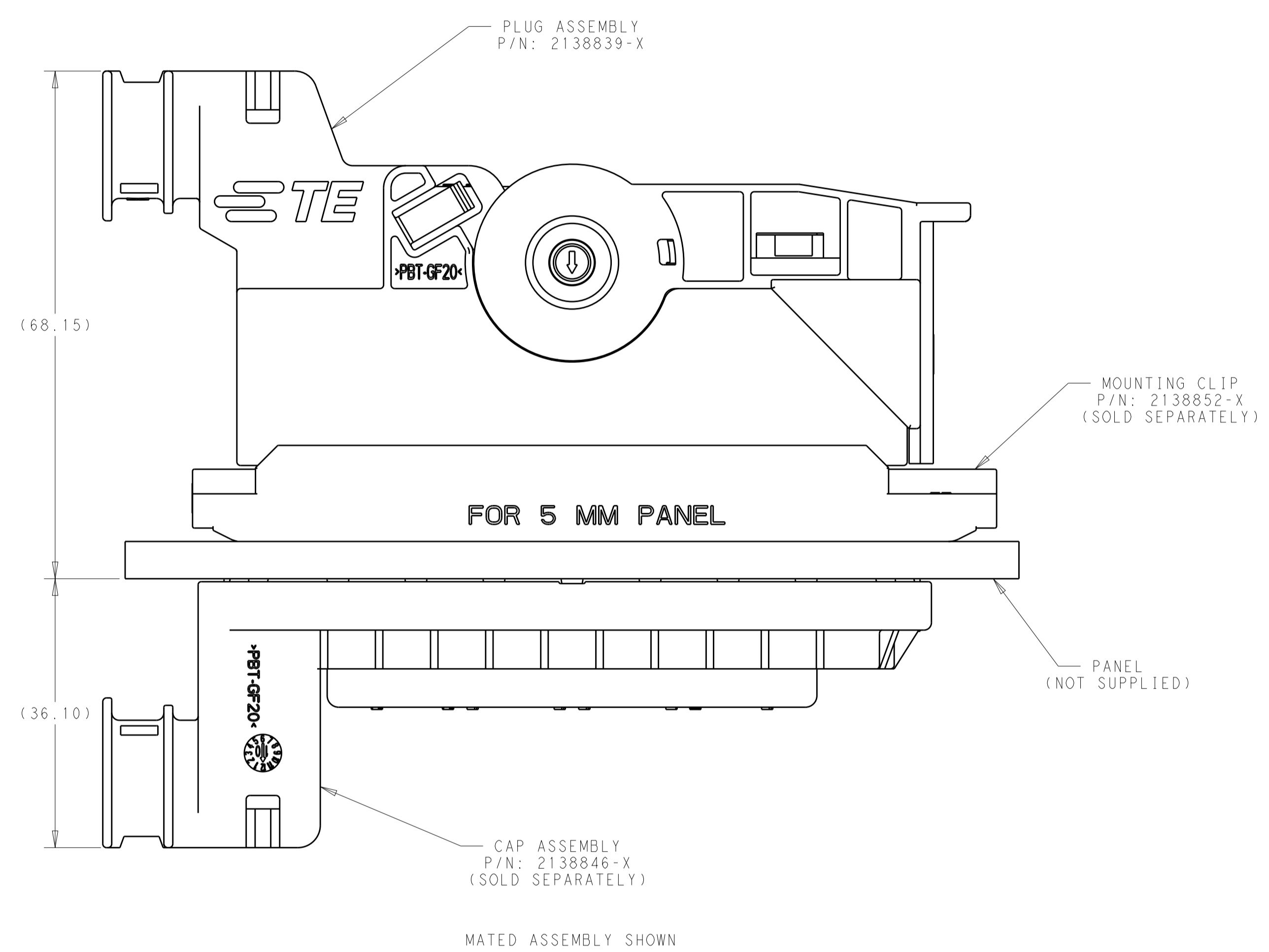
(4) SIZE 12: 2.82 MIN, 4.09 MAX (24) SIZE 16: 1.68 MIN, 2.77 MAX	28 POSITIONS TOTAL (4) SIZE 12 (24) SIZE 16	KEY B	BROWN	2138839-2
		KEY A	BLACK	2138839-1
WIRE DIA.	DESCRIPTION	KEY 4	HSG. COLOR 6	PART NO 5

THIS DRAWING IS A CONTROLLED DOCUMENT.

DIMENSIONS:	TOLERANCES UNLESS OTHERWISE SPECIFIED:	DWN R. VESTAL 13JAN2012	CHK R. NARANG 30JAN2012	APVD D. KLEIN 30JAN2012
mm	0 PLC ± 1 PLC ± 2 PLC ± 3 PLC ± 4 PLC ± ANGLES ±1*	PRODUCT SPEC	108-32036	APPLICATION SPEC
MATERIAL	FINISH	WEIGHT	114-32117	RESTRICTED TO
SEE TABLE	SEE TABLE	CUSTOMER DRAWING	SCALE 2:1	SHEET 1 OF 3 REV B

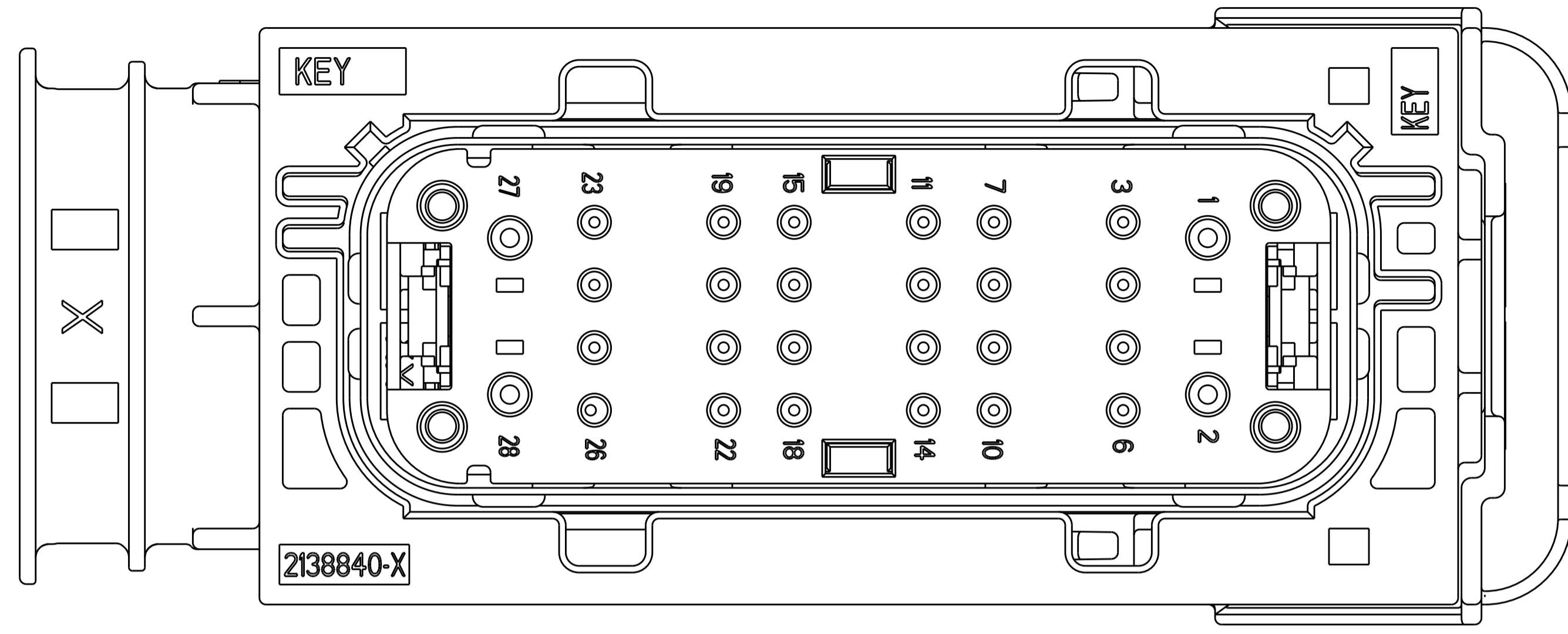
NAME: PLUG ASSEMBLY, AMPSEAL 16 HYBRID LEVER  
 SIZE: A100779 C=2138839

REVISIONS				
P.	LTN	DESCRIPTION	DATE	OWN APVD
-	-	SEE SHEET 1	-	-

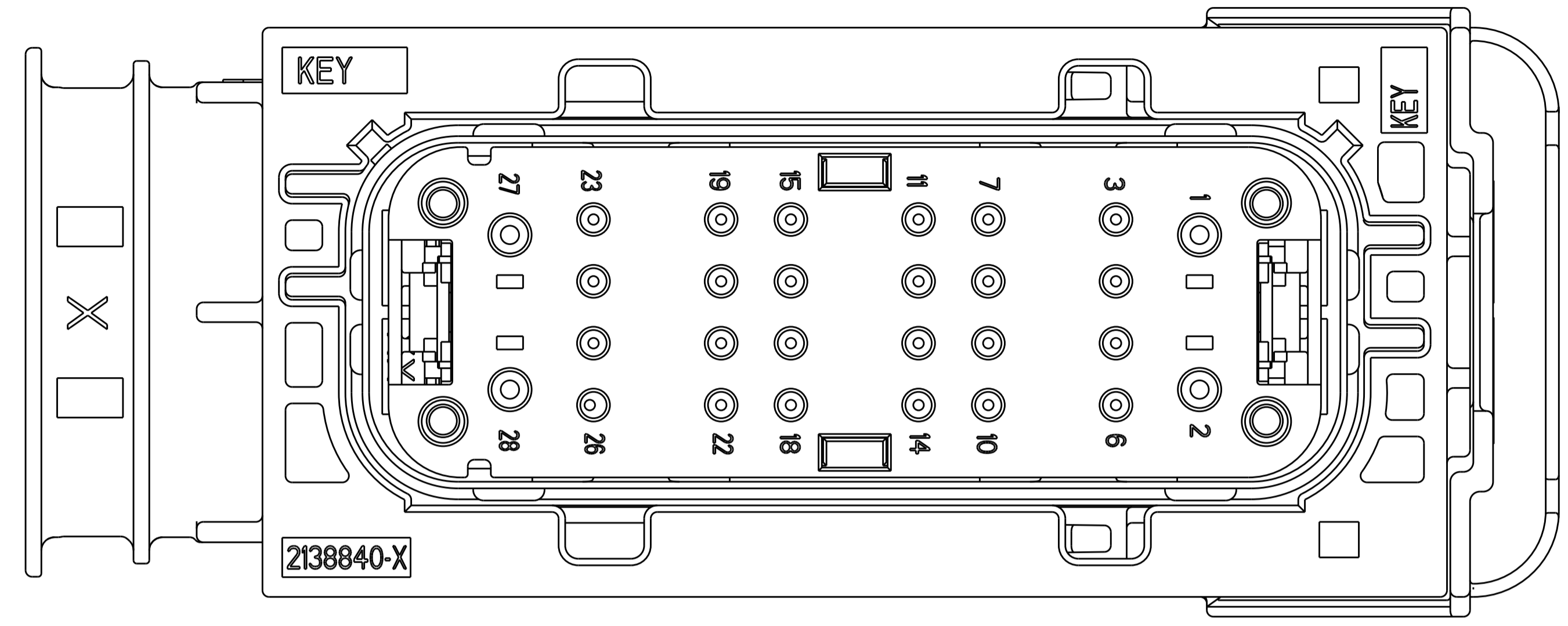


THIS DRAWING IS A CONTROLLED DOCUMENT.		OWN R. VESTAL 13JAN2012	TE Connectivity
DIMENSIONS: mm		CHK R. NARANG 30JAN2012	
		APVD D. KLEIN 30JAN2012	NAME PLUG ASSEMBLY, AMPSEAL 16 HYBRID LEVER
TOLERANCES UNLESS OTHERWISE SPECIFIED:		PRODUCT SPEC 108-32036	SIZE A100779C=2138839
0 PLC ± 2 PLC ± 3 PLC ± 4 PLC ± ANGLES ±1°		APPLICATION SPEC 114-32117	RESTRICTED TO
MATERIAL SEE TABLE		WEIGHT -	CUSTOMER DRAWING
SCALE 2:1		SHEET 2 OF 3	REV B

REVISIONS				
P.	LTN	DESCRIPTION	DATE	APVD
-	-	SEE SHEET 1	-	-



SCALE 3:1  
 2138839-1, KEY A SHOWN



SCALE 3:1  
 2138839-2, KEY B SHOWN

THIS DRAWING IS A CONTROLLED DOCUMENT.		DWN R. VESTAL 13JAN2012 CHK R. NARANG 30JAN2012 APVD D. KLEIN 30JAN2012	
DIMENSIONS: mm 	TOLERANCES UNLESS OTHERWISE SPECIFIED: 0 PLC ± 1 PLC ± 2 PLC ± 3 PLC ± 4 PLC ± ANGLES ±1° FINISH	PRODUCT SPEC 108-32036 APPLICATION SPEC 114-32117 WEIGHT	
MATERIAL SEE TABLE	FINISH SEE TABLE	CUSTOMER DRAWING	SIZE CAGE CODE DRAWING NO A100779C=2138839 RESTRICTED TO
		SCALE 2:1	SHEET 3 OF 3 REV B