

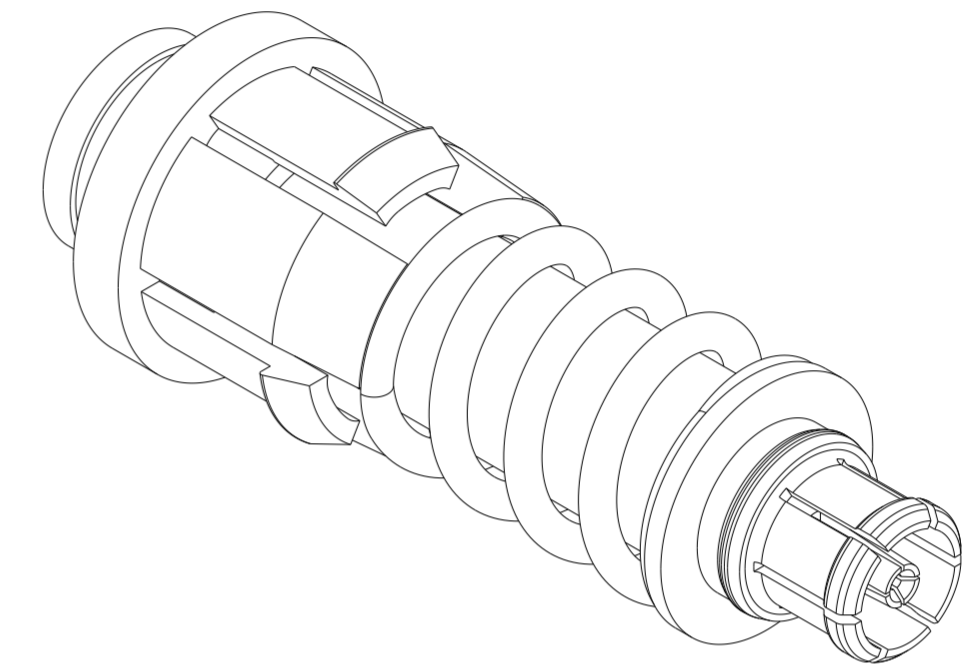
THIS DRAWING IS UNPUBLISHED. RELEASED FOR PUBLICATION
 © COPYRIGHT copyright.d8te- ALL RIGHTS RESERVED.

REVISIONS				
P	LTR	DESCRIPTION	DATE	APVD
A		INITIAL RELEASE	10AUG2021	KM CG

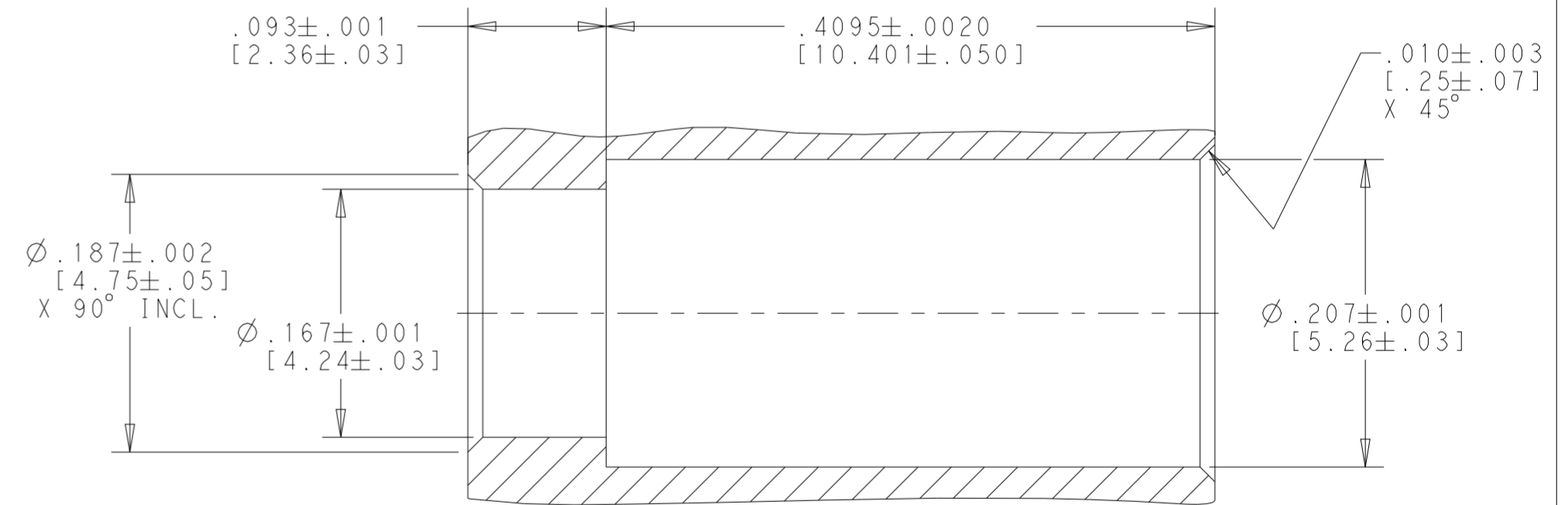
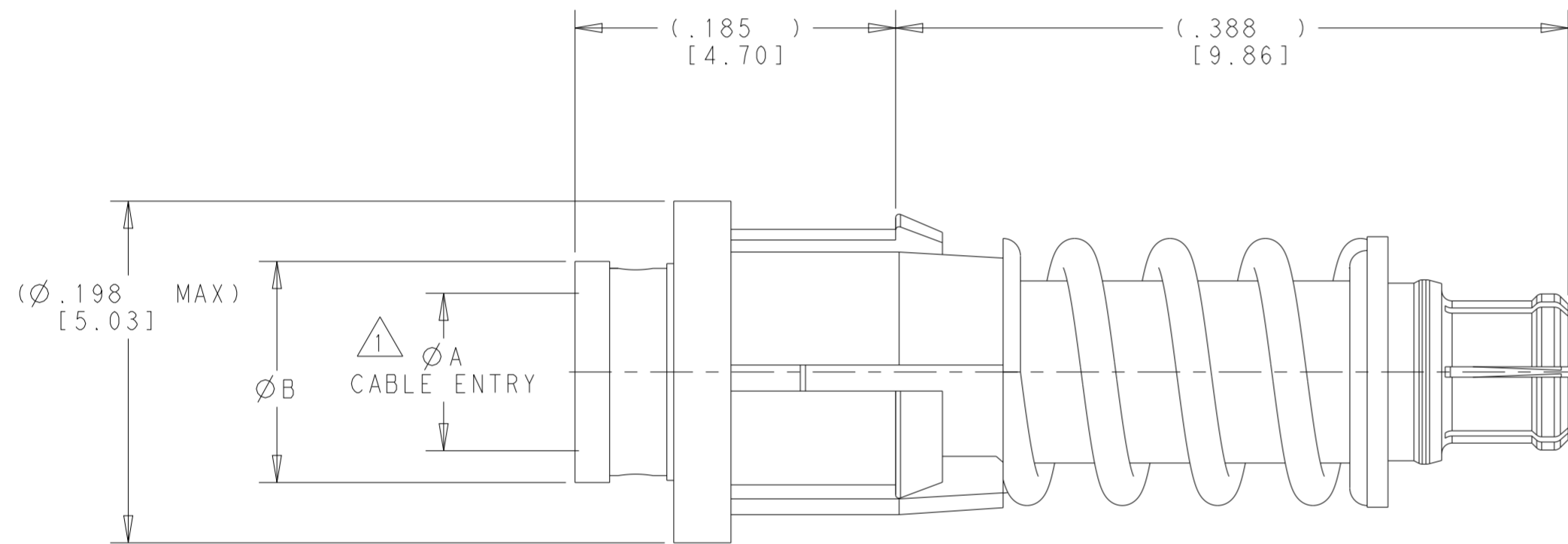
COMPONENT	MATERIAL	FINISH
HOUSING CENTER CONTACT	BERYLLIUM COPPER PER ASTM B196, TD04 TH04 FOR SPRING MEMBERS	GOLD PLATE PER ASTM B488 OVER NICKEL PLATE PER SAE-AMS-QQ-N-290
RETAINING SLEEVE	BERYLLIUM COPPER PER ASTM B196, TH04	NICKEL PLATE PER SAE-AMS-QQ-N-290
DIELECTRIC	PTFE PER ASTM D1457	N/A
SPRING	MUSIC WIRE PER ASTM A228	NICKEL PLATE PER SAE-AMS-QQ-N-290

⚠ SOLDER CABLE OUTER CONDUCTOR OR BRAID TO THE HOUSING.

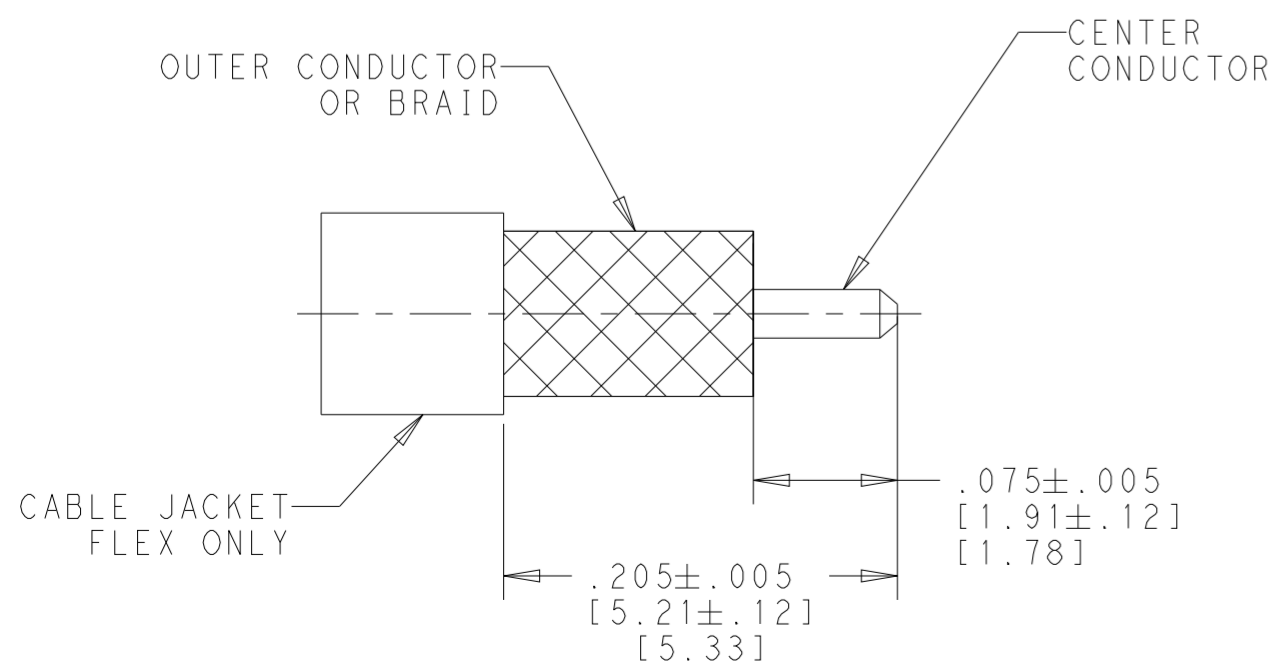
2. SPRING FORCE:
 PRELOAD = 2.52±.25 LBF
 FORCE AT .052 DEFLECTION = 3.77±.35 LBF
 FULL DEFLECTION = .078 [2.0].



SCALE 10:1



RECOMMENDED MOUNTING HOLE



CABLE PREPARATION AND ASSEMBLY

(Ø.090[2.29])	(Ø.052[1.32])	(Ø.047)	2332676-2
(Ø.128[3.24])	(Ø.091[2.31])	(Ø.086)	2332676-1
DIM B	DIM A	NOMINAL CABLE DIAMETER	PART NUMBER

DIMENSIONS:		TOLERANCES UNLESS OTHERWISE SPECIFIED:		APVD		NAME	
INCHES [mm]		0 PLC ±.1		K MILLER 06JUN2018		SMPM, CABLE JACK, VITA 67.3 TYPE A FLOATING, BACKPLANE	
		1 PLC ±.02		CHK C. GINGRICH 25SEP2019		108-163026	
		2 PLC ±.005		APVD -		APPLICATION SPEC	
		3 PLC ±.005		PRODUCT SPEC		114-32004	
		4 PLC ±.0005		APVD -		114-32004	
		ANGLES ±		APVD -		114-32004	
		FINISH -		APVD -		114-32004	
		FINISH -		APVD -		114-32004	
		FINISH -		APVD -		114-32004	



SIZE A2 CAGE CODE - DRAWING NO. C-2332676 RESTRICTED TO -

SCALE 12:1 SHEET 1 OF 1 REV A