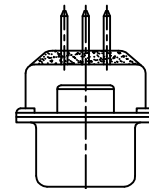
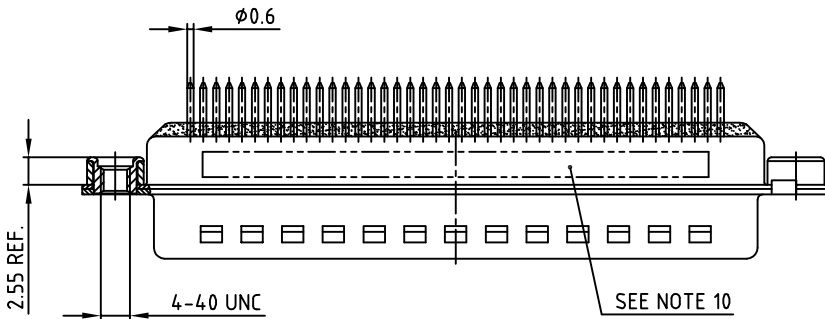
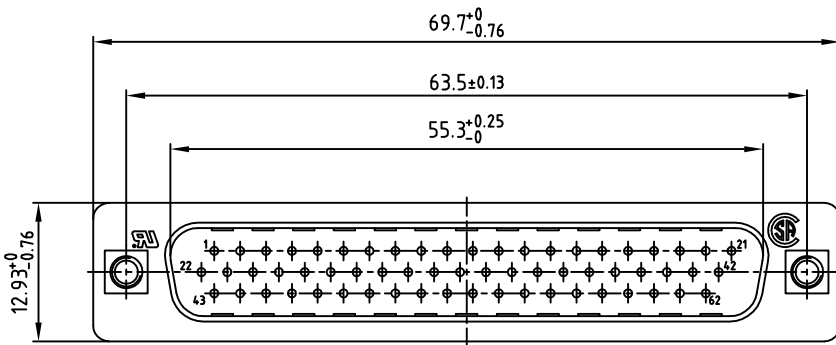
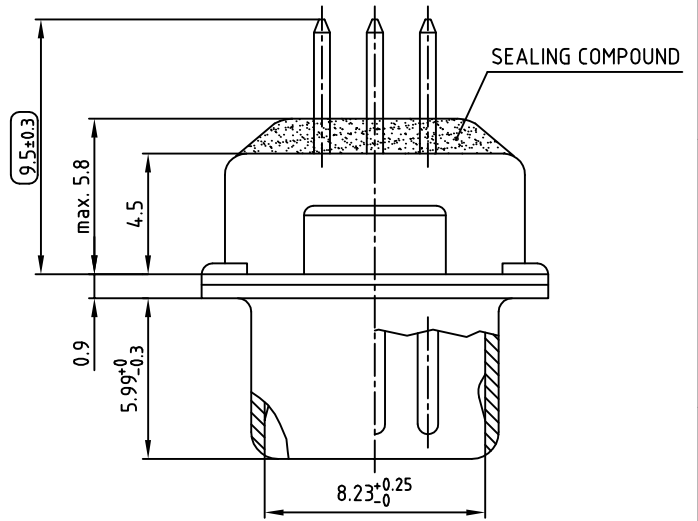


used for: D-SUB HD FILTER

5:1



NOTES:

1. METALSHELLS: STEEL; min. 320μ" TIN
2. INSULATORS: PBT GF UL 94 V-0, BLACK
3. CONTACTS: COPPER ALLOY
PLATING: 8μ" HARD GOLD OVER min. 50μ" NICKEL
4. THREADED INSERT: COPPER ALLOY; min. 200μ" TIN over 80μ" NICKEL
5. COLLAR: COPPER ALLOY; min. 200μ" TIN over 80μ" NICKEL
6. P.C.B. HOLE DRILLINGS ON DRAWING NO.: 16V1IH5B
7. CAPACITANCE: SEE TABLE
8. DIELECTRIC WITHSTANDING VOLTAGE: 300V DC
9. MAXIMUM TORQUE VALUE FOR THREAD: 6" LBS
10. CONNECTOR IS PART MARKED: PART-NO. CONEC Y/WW
11. = CHECK DIMENSION

CAPACITANCE	PART NO.
180pF ±20%	241A27550X
370pF ±20%	241A16490X
830pF ±20%	241A16530X

APPROVAL * FREIGABE * DEBLOCAGE * AUTORIZACION * APPROVAL

CUSTOMER APPROVAL DATE:

NAME: _____ TITLE: _____

COMPANY NAME: _____

APPROVAL * FREIGABE * DEBLOCAGE * AUTORIZACION * APPROVAL

THIS DRAWING MAY NOT BE COPIED OR REPRODUCED IN ANY WAY, AND MAY NOT BE PASSED ON TO A THIRD PARTY WITHOUT WRITTEN PERMISSION. OWNERSHIP AND COPYRIGHT OF CONEC GmbH DO NOT ALTER CAD DRAWING BY HAND

rev.	description	date	name

tolerance		dim. in mm	
2003	date	name	
drawn	16.09.	Lehmenkühler	
appd.	19.09.	Mickenbecker	
norm	DIN 41652		
d-old			

CONEC

scale: 2:1 (5:1)

material: SEE NOTES

title: D-SUB HD FILTER MALE
62pos. SOLDER PIN STRAIGHT
with threaded insert

dwg no: AutoCAD 2000 DIN-A
3
sh: 1/1

part no: SEE TABLE