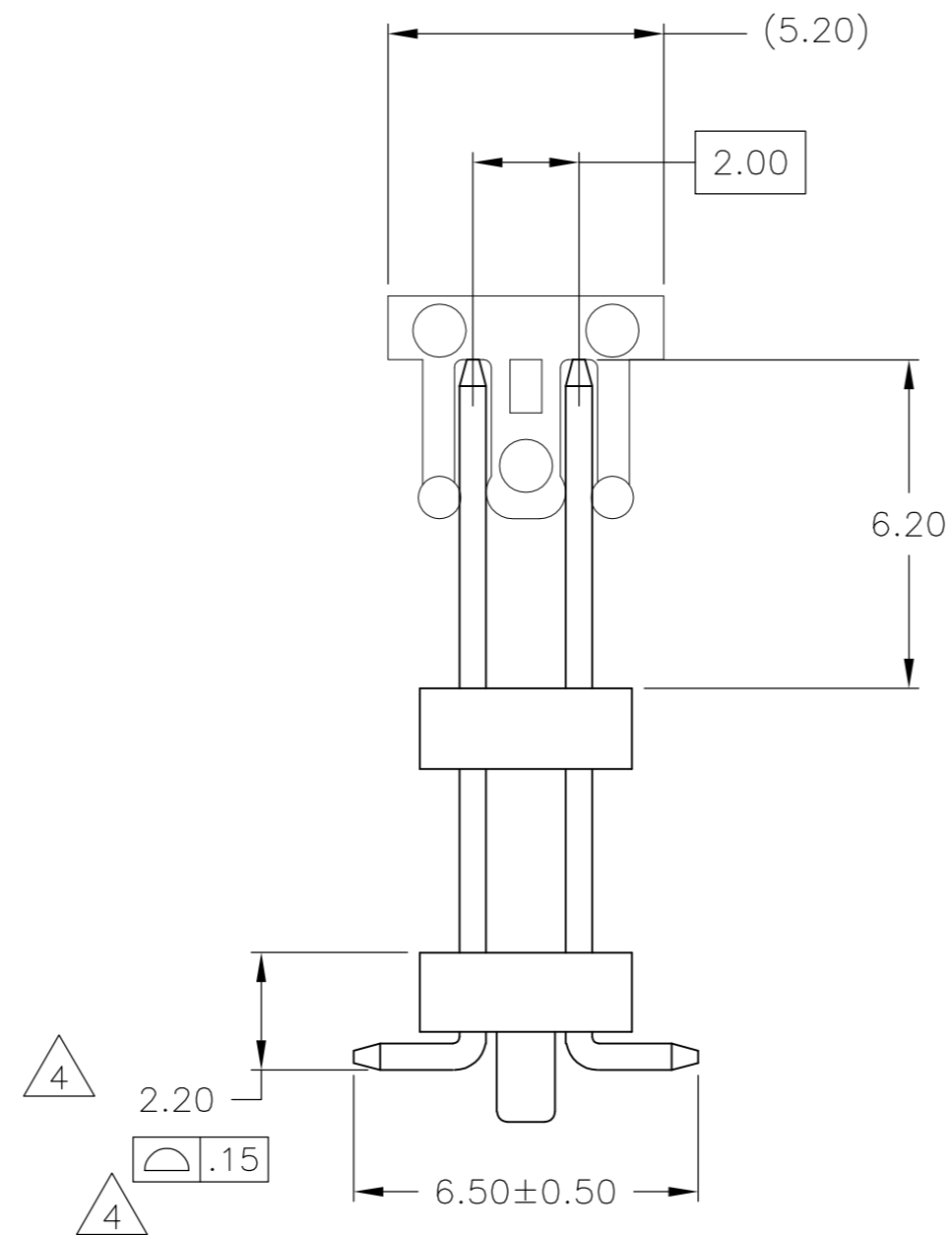
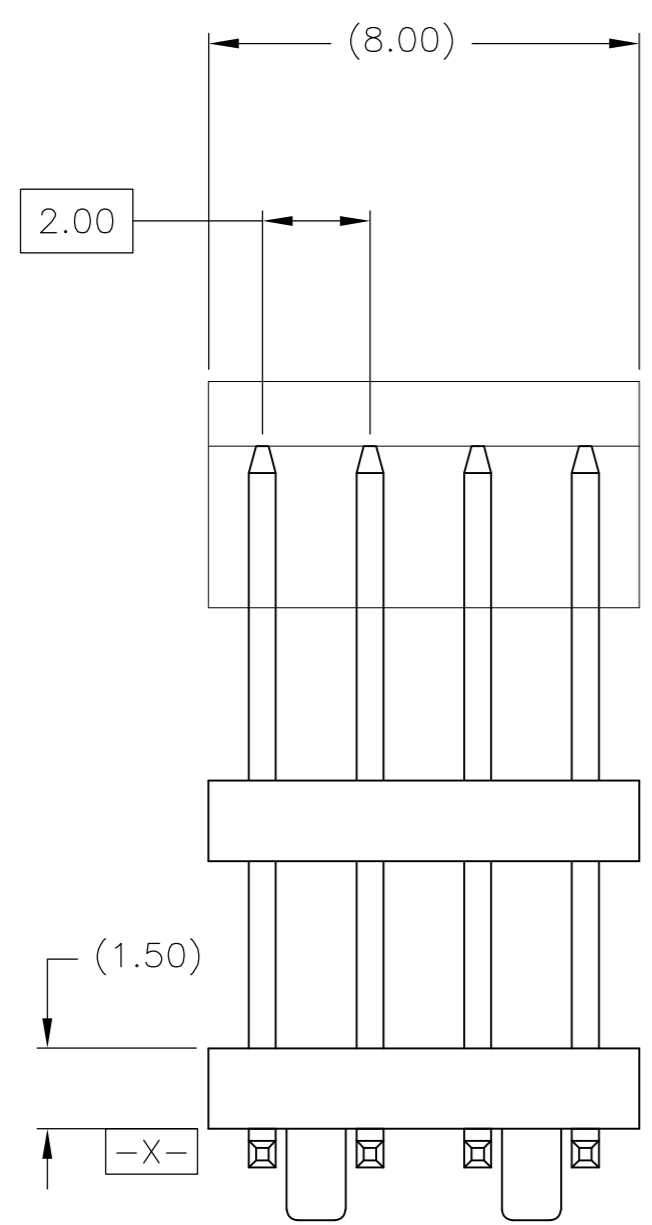
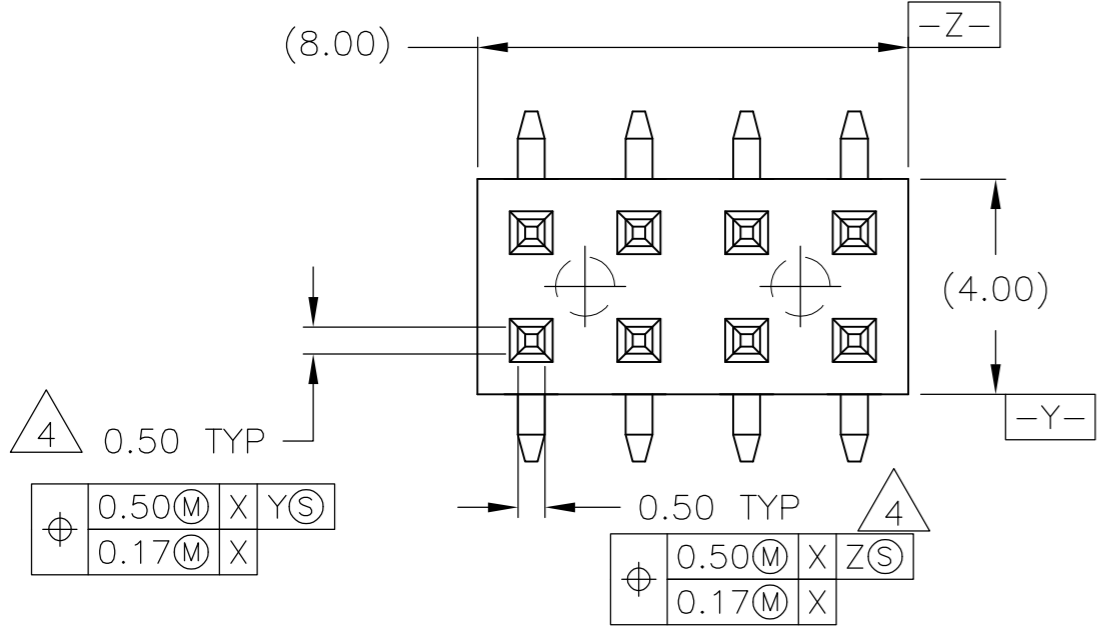
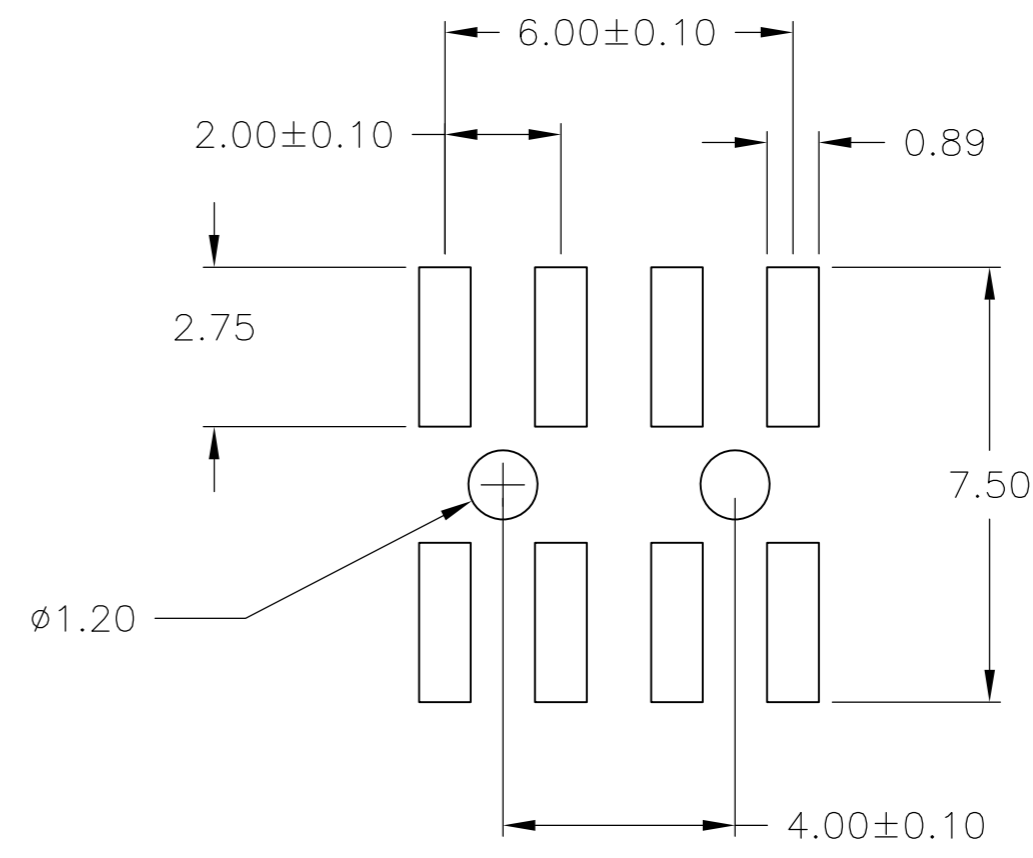


THIS DRAWING IS UNPUBLISHED. RELEASED FOR PUBLICATION
 © COPYRIGHT BY TYCO ELECTRONICS CORPORATION. ALL INTERNATIONAL RIGHTS RESERVED.

LOC	DIST	REVISIONS			
P	LTR	DESCRIPTION	DATE	DWN	APVD
AD	00				
J		REVISED PER ECO-10-025268	16MAR11	HMR	JO



- 1 SPECIFICATIONS-
- CONTACT MATERIAL: PHOSPHOR BRONZE,
VACUUM CAP & INSULATOR MATERIAL: HIGH TEMPERATURE THERMOPLASTIC,
UL 94V-0: BLACK COLOR
 - PACKAGING: TAPE AND REEL PER EIA 481
 - 2 CONTACT FINISH: DUPLEX PLATED 0.000762 GOLD ON CONTACT AREA,
TIN-LEAD ON SOLDER LEADS
 - 3 CONTACT FINISH: DUPLEX PLATED 0.000762 GOLD ON CONTACT AREA,
MATTE TIN ON SOLDER LEADS
 - 4 CRITICAL TO QUALITY



RECOMMENDED P.C.BOARD LAYOUT

SUPERSEDED BY 5-1571363-1	3	8	5-1571363-1
	2	8	1571363-1
	FINISH	NO OF POSN	PART NUMBER

THIS DRAWING IS A CONTROLLED DOCUMENT.		DWN R BROWN 28AUG02	Tyco Electronics Corporation Harrisburg, PA 17105-3608	
DIMENSIONS: mm		CHK D SIMPSON 28AUG02	NAME HEADER ASSEMBLY, 2mm DOUBLE ROW, VERTICAL, SURFACE MOUNT, STACKING	
TOLERANCES UNLESS OTHERWISE SPECIFIED:		APVD D SIMPSON 28AUG02	PRODUCT SPEC 108-2273	
0 PLC ± -		APPLICATION SPEC 114-13177		
1 PLC ± -		SIZE A2		
2 PLC ± 0.20		CAGE CODE 00779		
3 PLC ± -		DRAWING NO 1571363		
4 PLC ± -		RESTRICTED TO -		
ANGLES ± -		SCALE 5:1		
FINISH		SHEET 1 of 1		
MATERIAL		REV J		
-		CUSTOMER DRAWING		