

嵌合図 (参考)  
MATED DRAWING(REFERENCE)

注記 NOTES

1. 使用材料 MATERIAL

ハウジング : 液晶ポリマー ( LCP ) UL94V-0 ( 黒 )  
HOUSING: LIQUID CRYSTAL POLYMER UL94V-0 ( COLOR:BLACK )

ターミナル : 銅合金  
TERMINAL : COPPER ALLOY

金具 : 銅合金  
FITTING NAIL : COPPER ALLOY

2. メッキ仕様 PLATING

ターミナル TERMINAL

金メッキ  
GOLD

下地メッキ: ニッケルメッキ  
UNDER PLATING : NICKEL

※コンタクト部とテール部はニッケルメッキによって分断されている金メッキです。  
DIVIDE INTO PARTS THE GOLD PLATING OF THE CONTACT AND THE TAIL PART BY THE NICKEL PLATING.

金具 FITTING NAIL

錫メッキ  
Tin PLATING

下地メッキ: ニッケルメッキ  
UNDER PLATING : NICKEL

△ (全極数 / 2) = 偶数の場合に適用。  
APPLY FOR (CIRCUIT/2)=EVEN.

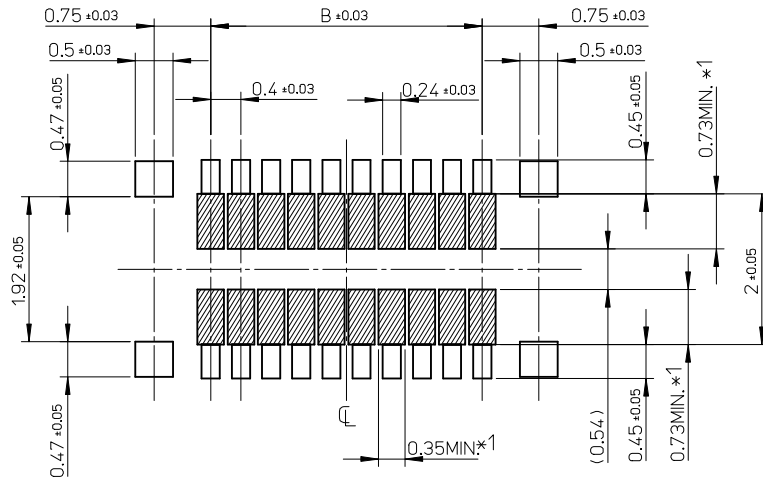
4. 嵌合相手: 503308 シリーズ  
MATE WITH : 503308 SERIES.

5. テール及び金具の平坦度は、0.1以下  
TAIL AND FITTING NAIL COPLANARITY TO BE 0.1MAXIMUM.

6. ELV and RoHS COMPLIANT.

11.6	14.2	503304-6070	60
9.6	12.2	503304-5070	50
8.4	11.0	503304-4470	44
7.6	10.2	503304-4070	40
5.6	8.2	503304-3070	30
4.8	7.4	503304-2670	26
3.6	6.2	503304-2070	20
2.8	5.4	503304-1670	16
2.0	4.6	503304-1270	12
B	A	EMBOSSED PACKAGE オーダー番号 ORDER No.	極数 CIRCUITS
CONNECTOR SERIES No. : 503304-**79			

REVISED EC NO: J2013-0386 DRWN:GMATSUNO 2012/09/28 CHKD:TASAKAWA 2012/09/28 APPR:MSASAO 2012/09/28	GENERAL TOLERANCES (UNLESS SPECIFIED)		DIMENSION STYLE MM ONLY	SCALE 15:1	DESIGN UNITS METRIC	THIRD ANGLE PROJECTION
	10 UNDER	±0.2	DRAWN BY TTANIGUCHI	DATE 2009/06/24	TITLE 0.4 B-TO-B CONN. HGT=0.7 W=2.6 REC. ASS'Y CHECKER TYPE	
	10 OVER 30 UNDER	±0.25	CHECKED BY THIRATA	DATE 2009/06/24		
	30 OVER	±0.3	APPROVED BY MSASAO	DATE 2009/06/24		
ANGULAR ±1 °	DRAFT WHERE APPLICABLE MUST REMAIN WITHIN DIMENSIONS	MATERIAL NO. SEE CHART	DOCUMENT NO. SD-503304-003	SHEET NO. 1 OF 2		
SIZE A3	THIS DRAWING CONTAINS INFORMATION THAT IS PROPRIETARY TO MOLEX INCORPORATED AND SHOULD NOT BE USED WITHOUT WRITTEN PERMISSION					



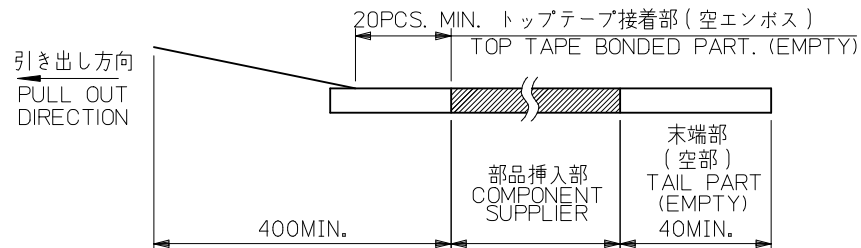
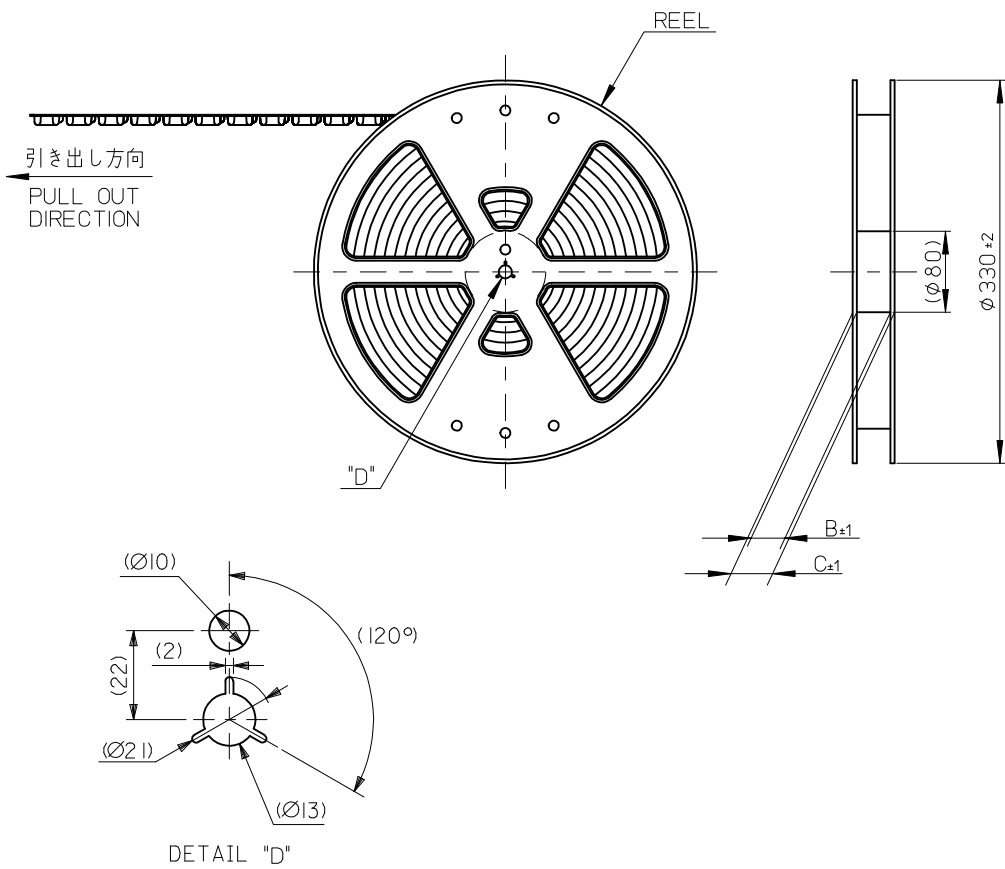
RECOMMENDED P.W. BOARD  
PATTERN LAYOUT

- \*1 パターン引き回し、および半田禁止エリア  
(当該箇所においては、これと接する回路以外の配線を禁止する。  
また、接する回路を配線する場合はレジストを施し、この部分に  
半田は無きこととする。)
- \*1 PROHIBITED AREA OF PATTERN WIRING AND SOLDER  
(FOR EACH AREA, THE WIRING THAT TOUCHES ON THE SOLDER  
CAN BE ATTACHED, THEN COVERED WITH A FILM TO KEEP SOLDER OUT.)

REVISED EC NO: J2013-0386 DRWN:GMATSUMO 2012/09/28 CHKD:TASAKAWA 2012/09/28 APPR:MSASAO 2012/09/28	QUALITY SYMBOLS	GENERAL TOLERANCES (UNLESS SPECIFIED)	DIMENSION STYLE MM ONLY	SCALE 15:1	DESIGN UNITS METRIC	THIRD ANGLE PROJECTION
	<input type="checkbox"/> = 0 CRITICAL	DIMENSIONS ± 0.1	DRAWN BY TTANIGUCHI	DATE 2009/06/24	TITLE 0.4 B-TO-B CONN. HGT=0.7 W=2.6 REC. ASS'Y CHECKER TYPE	
	<input checked="" type="checkbox"/> = 0 MAJOR	ANGULAR ± 1 °	CHECKED BY THIRATA	DATE 2009/06/24		
	<input type="checkbox"/> = 0 ZERO DEFECT	DRAFT WHERE APPLICABLE MUST REMAIN WITHIN DIMENSIONS	APPROVED BY MSASAO	DATE 2009/06/24		
<input type="checkbox"/> = 0 S.P.C.			SIZE A3	THIS DRAWING CONTAINS INFORMATION THAT IS PROPRIETARY TO MOLEX INCORPORATED AND SHOULD NOT BE USED WITHOUT WRITTEN PERMISSION		

注記 NOTES

- 製品詳細寸法については製品単体図面を参照下さい。  
RE DETAILED DIMENSION, SEE PRODUCT DRAWING.
- 梱包数量: 3000 個/リール  
NUMBER OF CONNECTORS: 3000PCS/REEL
- リードテープ長さ LEAD TAPE LENGTH



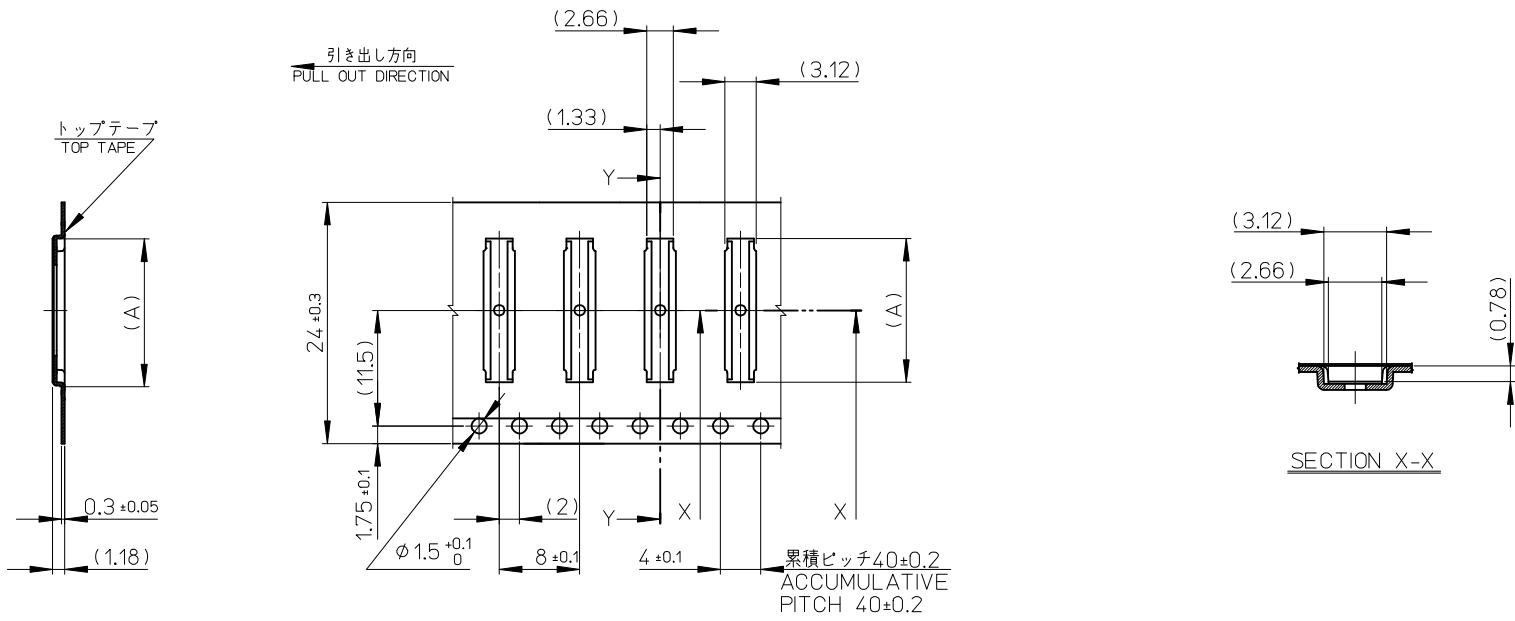
- トップテープの剥離強度: 0.1N~1.3N(10gf~130gf)  
(剥離方向は下図参照)  
尚、本規格値は出荷時に適用。(但し、輸送時に剥離が発生しないこと。)  
PEELING OFF FORCE OF TOP TAPE: 0.1N~1.3N(10gf~130gf)  
(PEELING DIRECTION AS SHOWN IN FOLLOWING FIG.)  
THIS REQUIREMENT SHOULD BE APPLIED AT SHIPMENT.  
PEEL OFF SHOULD NOT BE ALLOWED, DURING TRANSPORTION.



- 材料 MATERIAL  
キャリアテープ (CARRIER TAPE): ポリスチレン (POLYSTYRENE)  
トップテープ (TOP TAPE): PET, OTHER  
リール (REEL): ポリスチレン (PS) <リサイクル材を含む>  
POLYSTYRENE (PS) <RECYCLE MATERIAL CONTAINED>
- ELV 及び RoHS適合品  
ELV AND RoHS COMPLIANT

MODEL NO. 503304-\*\*70

REVISED EC NO: J2013-0386 DRWG: MATSUNO 2012/09/28 CHKD: TASAKAWA 2012/09/28 APPR: MSASAO 2012/09/28	GENERAL TOLERANCES (UNLESS SPECIFIED)		DIMENSION STYLE MM ONLY		SCALE	DESIGN UNITS METRIC	THIRD ANGLE PROJECTION
	10 UNDER	±0.2	DRAWN BY TTANIGUCHI	DATE 2009/06/24	TITLE 0.4 B-TO-B CONN. HGT=0.7 REC ASSY EMBSTP PKG CHECKER TYPE		
	10 OVER 30 UNDER	±0.25	CHECKED BY THIRATA	DATE 2009/06/24	<b>molex</b>		
	30 OVER	±0.3	APPROVED BY MSASAO	DATE 2009/06/24			
ANGULAR	±1 °	MATERIAL NO. SEE CHART		DOCUMENT NO. SD-503304-004	SHEET NO. 1 OF 3		
DRAFT WHERE APPLICABLE MUST REMAIN WITHIN DIMENSIONS		THIS DRAWING CONTAINS INFORMATION THAT IS PROPRIETARY TO MOLEX INCORPORATED AND SHOULD NOT BE USED WITHOUT WRITTEN PERMISSION					



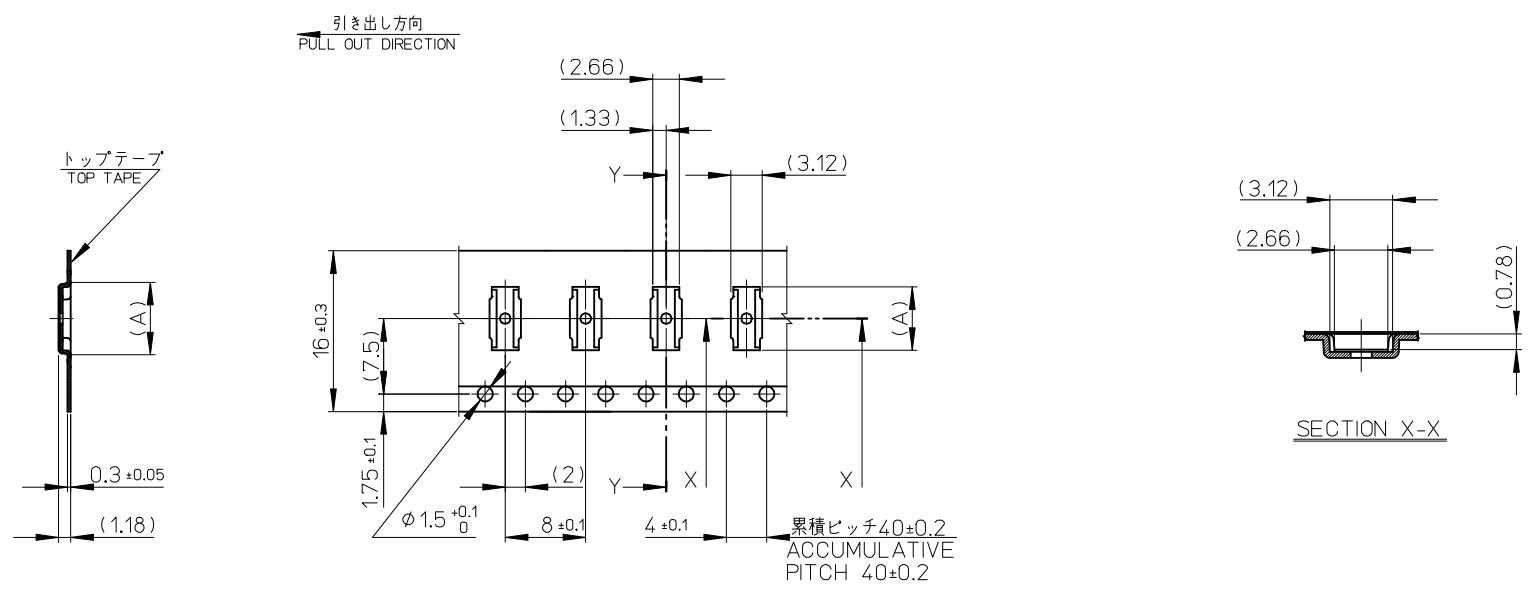
SECTION Y-Y

SECTION X-X

24mm 幅キャリアテープ  
24mm WIDTH CARRIER TAPE

24	29.4	25.4	14.32	503304-6070	60
			12.32	503304-5070	50
			11.12	503304-4470	44
			10.32	503304-4070	40
			8.32	503304-3070	30
キャリアテープ幅 CARRIER TAPE WIDTH			C	B	(A)
			MATERIAL No.		CKT.
			MODEL No.		503304-***70

REVISED EC NO: J2013-0386 DRWNG: GMATSUNO 2012/09/28 CHKD: TASAKAWA 2012/09/28 APPR: MSASAO 2012/09/28	DESCRIPTION	GENERAL TOLERANCES (UNLESS SPECIFIED)		DIMENSION STYLE MM ONLY		SCALE	DESIGN UNITS METRIC	THIRD ANGLE PROJECTION		
		10 UNDER	± 0.2	DRAWN BY	DATE	TITLE	0.4 B-TO-B CONN.HGT=0.7 REC ASSY EMBSTPPKG CHECKERTYPE <b>molex</b>			
		10 OVER 30 UNDER	± 0.25	GMATSUNO	2010/10/08	SD-503304-004				
		30 OVER	± 0.3	CHECKED BY	DATE					DOCUMENT NO.
		ANGULAR	± 1 °	RTAKEUCHI	2010/10/08					SHEET NO.
DRAFT WHERE APPLICABLE MUST REMAIN WITHIN DIMENSIONS		APPROVED BY	DATE	2 OF 3						
		MSASAO	2010/10/12	SEE CHART			THIS DRAWING CONTAINS INFORMATION THAT IS PROPRIETARY TO MOLEX INCORPORATED AND SHOULD NOT BE USED WITHOUT WRITTEN PERMISSION			



16mm 幅キャリアテープ  
16mm WIDTH CARRIER TAPE

16	21.4	17.4	7.52	503304-2670	26
			6.32	503304-2070	20
			5.52	503304-1670	16
			4.72	503304-1270	12
キャリアテープ幅 CARRIER TAPE WIDTH			C	B	(A)
			MATERIAL No.		CKT.
			MODEL No.		503304-**10

REVISED EC NO: J2013-0386 DRWNG: GMATSUNO 2012/09/28 CHKD: TASAKAWA 2012/09/28 APPR: MSASAO 2012/09/28	DESCRIPTION	GENERAL TOLERANCES (UNLESS SPECIFIED)	DIMENSION STYLE MM ONLY	SCALE	DESIGN UNITS METRIC	THIRD ANGLE PROJECTION
	REV	10 UNDER ±0.2	DRAWN BY GMATSUNO	DATE 2010/10/08	TITLE 0.4 B-TO-B CONN. HGT=0.7 REC ASSY EMBSTP PKG CHECKER TYPE	
		10 OVER 30 UNDER ±0.25	CHECKED BY RTAKEUCHI	DATE 2010/10/08	<b>molex</b>	
		30 OVER ±0.3	APPROVED BY MSASAO	DATE 2010/10/12		
		ANGULAR ±1 °	MATERIAL NO.	SEE CHART	DOCUMENT NO. SD-503304-004	SHEET NO. 3 OF 3
	DRAFT WHERE APPLICABLE MUST REMAIN WITHIN DIMENSIONS	SIZE A3	THIS DRAWING CONTAINS INFORMATION THAT IS PROPRIETARY TO MOLEX INCORPORATED AND SHOULD NOT BE USED WITHOUT WRITTEN PERMISSION			