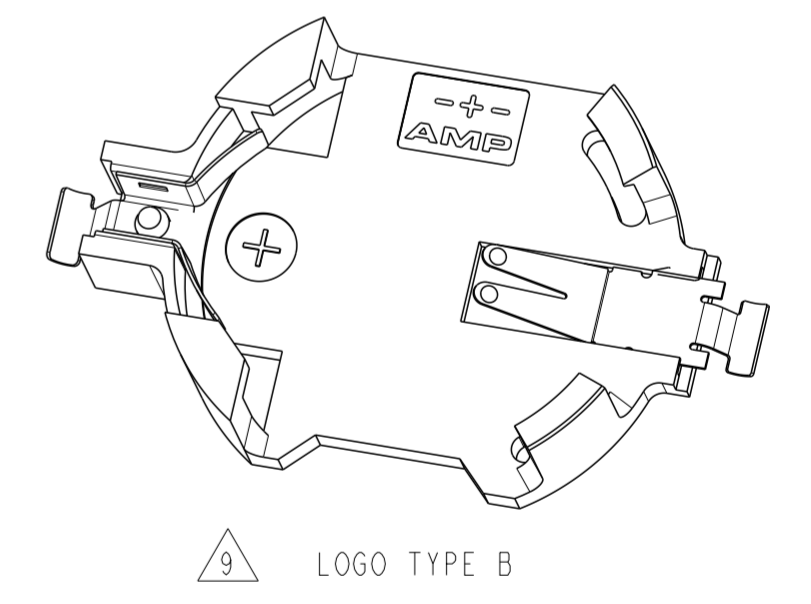
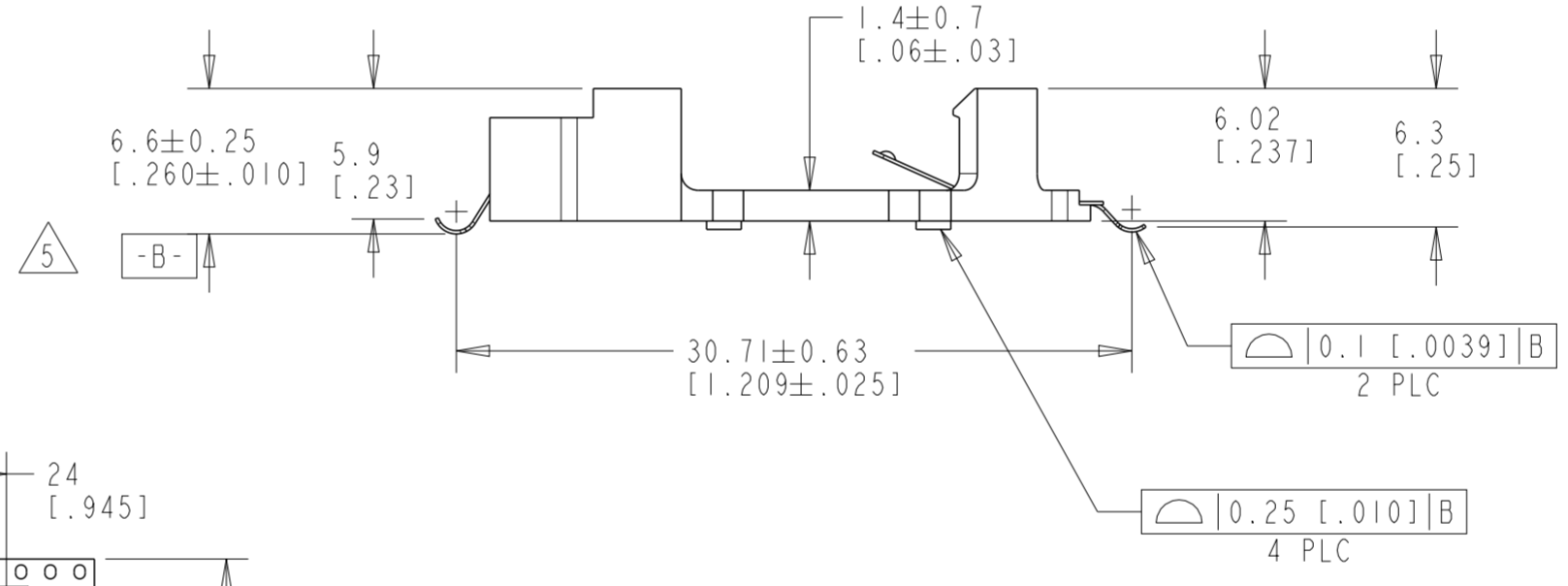
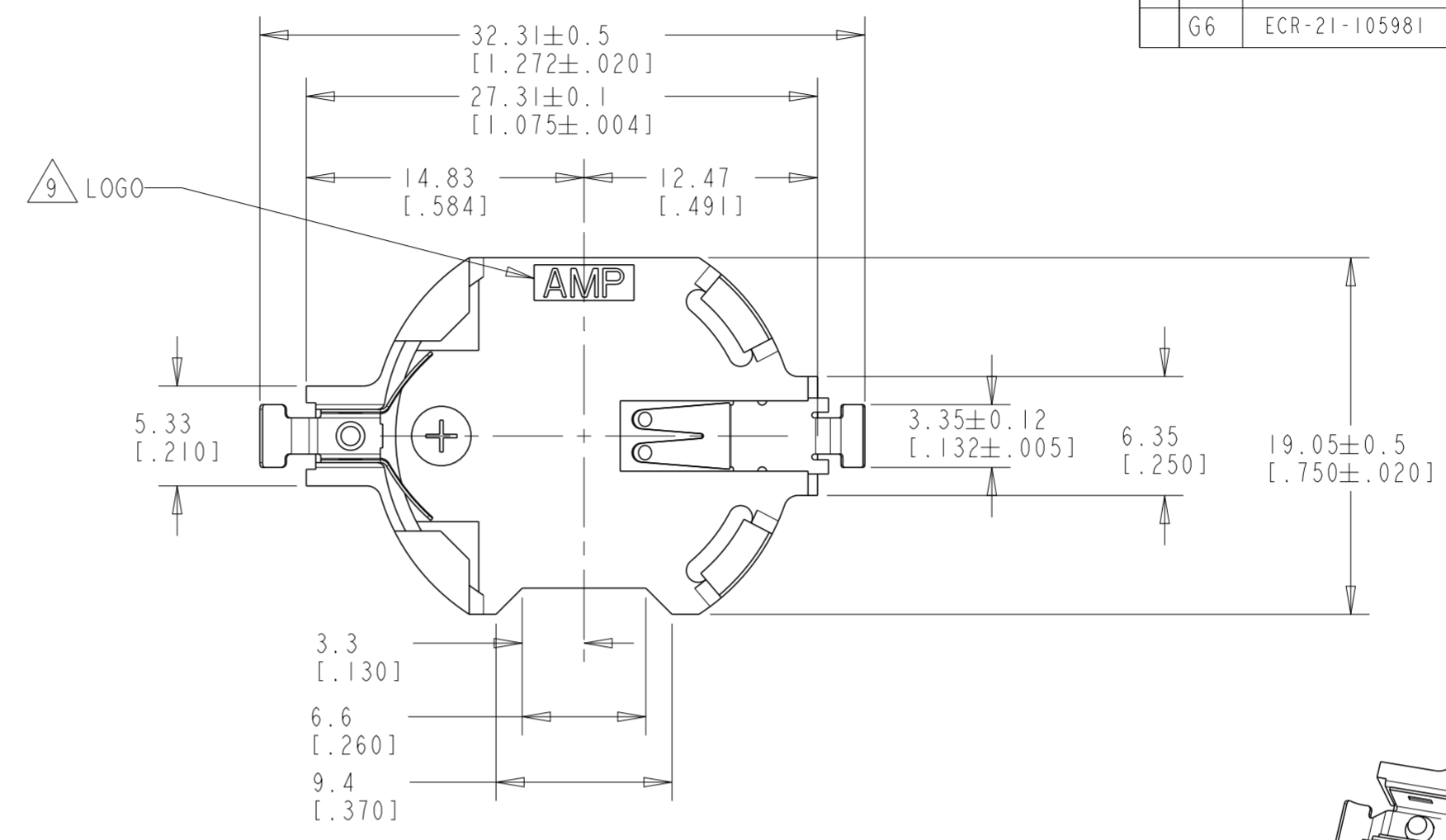
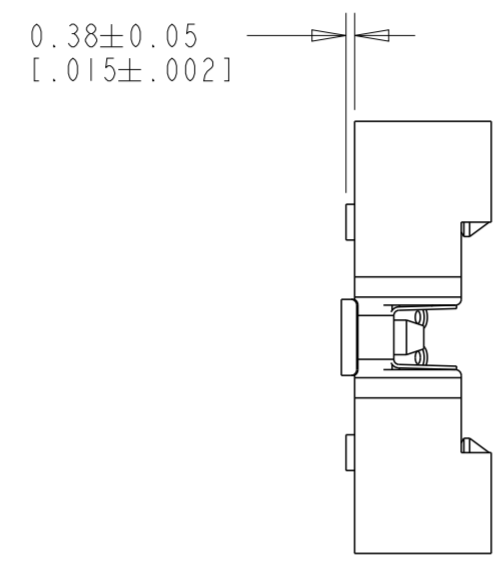
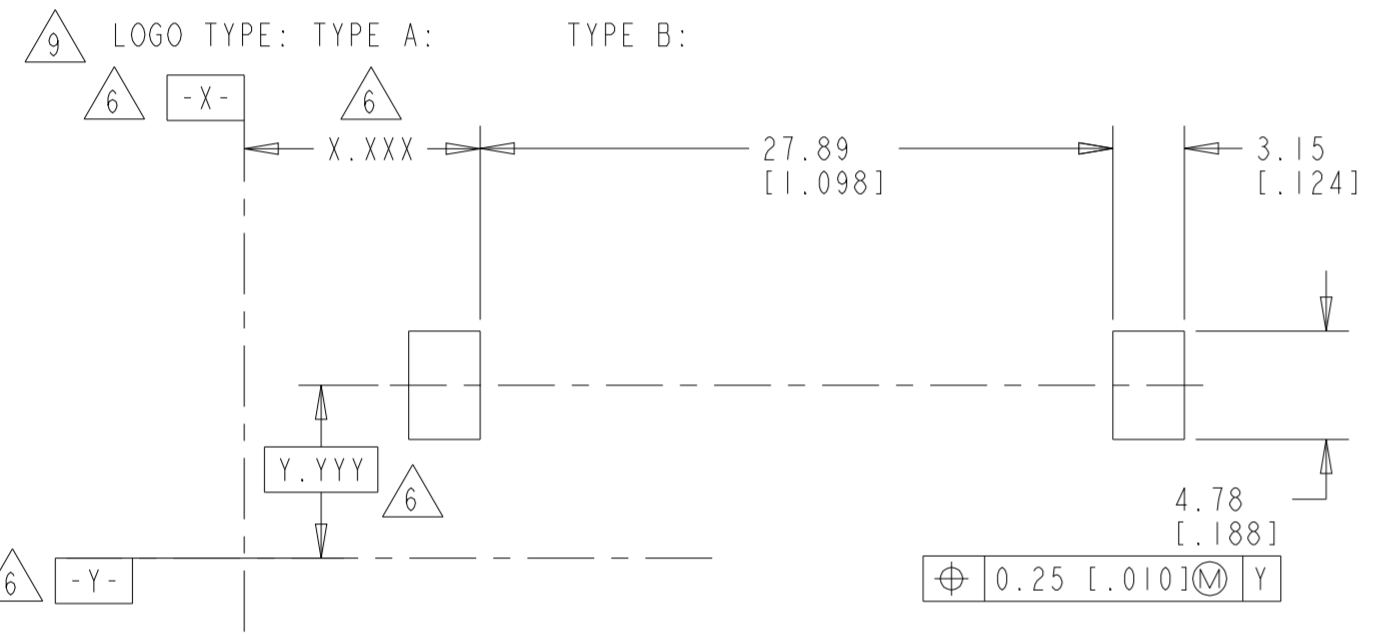


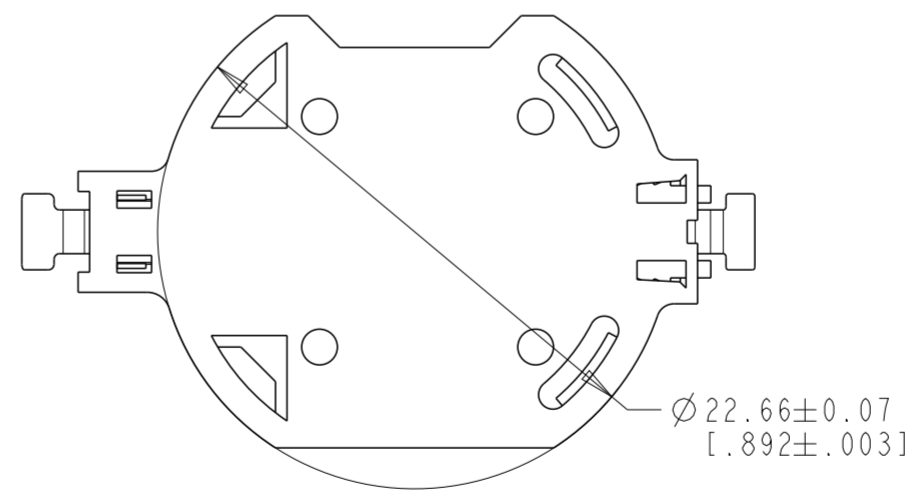
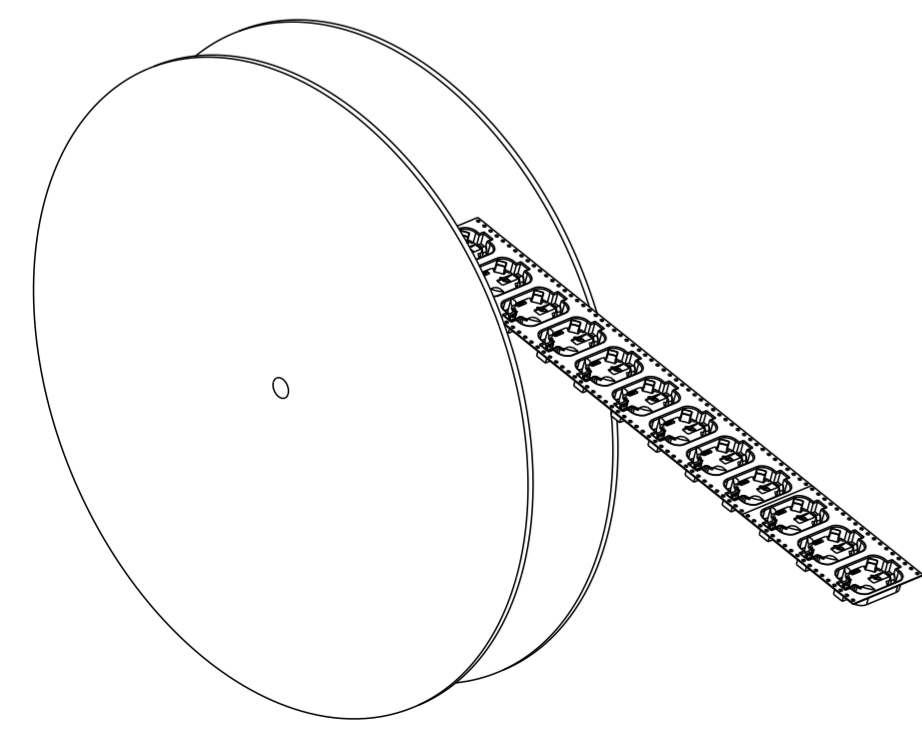
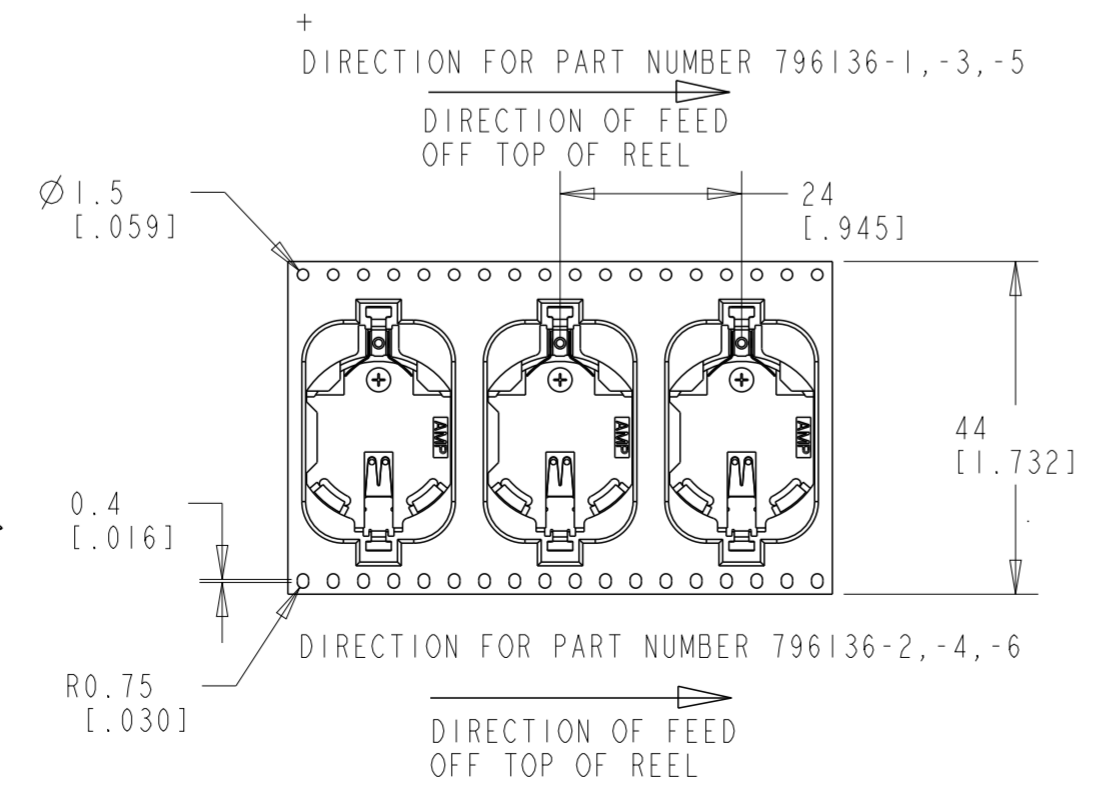
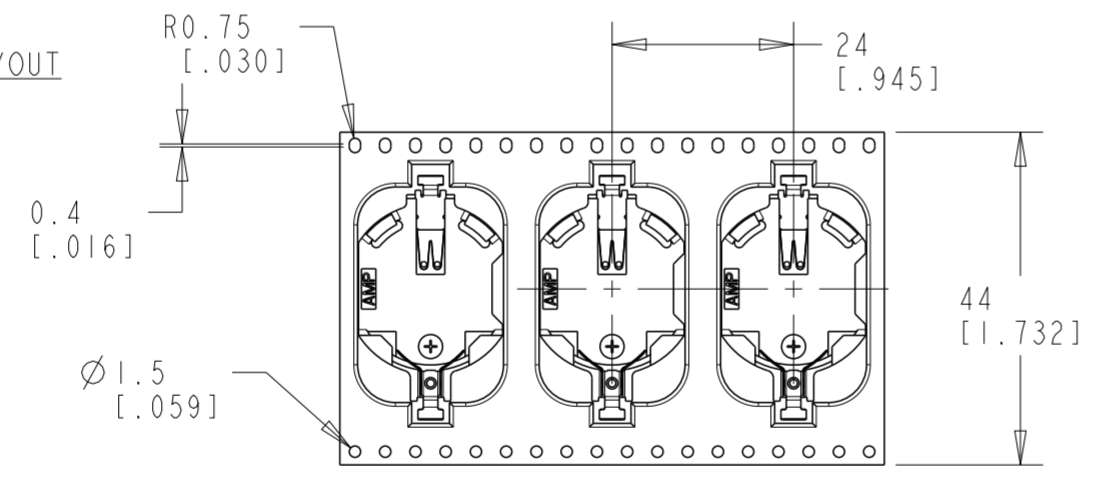
THIS DRAWING IS UNPUBLISHED. RELEASED FOR PUBLICATION
 © COPYRIGHT copyright dbTe- ALL RIGHTS RESERVED.

REVISIONS					
P	LTR	DESCRIPTION	DATE	DWN	APVD
G3		UPDATE PL THICKNESS FOR 796136-3	07AUG2019	K.G	W.H
G4		REVISED PER ECO-19-017009	08NOV2019	K.G	W.H
G5		ADD -5 AND -6 PER ECO-20-011106	29APR2020	K.G	W.H
G6		ECR-21-105981	17MAR2023	E.Z	H.L

- 1 HOUSING: HIGH TEMPERATURE 94V-0 RATED, LCP, COLOR NATURAL.
- CONTACTS: PHOSPHOR BRONZE.
- 2 CONTACTS: 0.00200-0.00400[.000080-.000157] TIN.
- 3. CONNECTOR ACCEPTS BATTERY CR2032.
- 4. PACKAGING: TAPE AND REEL.
TAPE & SPROCKET HOLES DIMENSIONS PER EIA-481-3 WITH 330.0 [13.0] DIA. CARDBOARD SIDES
- 5 DATUM -B- IS ESTABLISHED BY ANY CONTACT OR HOUSING SURFACES CONTACTING A REFERENCE PLANE.
- 6 DATUMS AND DIMENSIONS ESTABLISHED BY CUSTOMER.
- 7 CONTACT FINISHED:
Ni 0.00125[.000050] MIN OVER ALL
TIN 0.00254[.000100] MIN OVER ALL.
- 8 CONTACT FINISHED:
Ni 0.00125[.000050] MIN OVER ALL
TIN 0.00254[.000100] MIN ON SOLDER AREA.
Au PLATING 0.000125[.000005] MIN ON CONTACT AREA.



RECOMMENDED PC BOARD LAYOUT



796136-5 AND 796136-6	8
796136-3 AND 796136-4	7
796136-1 AND 796136-2	2
PART NUMBER	

THIS DRAWING IS A CONTROLLED DOCUMENT.		DWN J.GERACE 13AUG99	TE Connectivity	
DIMENSIONS: mm [INCHES]		CHK K.BENJAMIN 13AUG99		
TOLERANCES UNLESS OTHERWISE SPECIFIED:		APVD K.BENJAMIN 13AUG99	NAME ASSEMBLY BATTERY CONNECTOR, SURFACE MOUNT, TOP LOAD	
0 PLC ±	±0.5 [.02]	PRODUCT SPEC 108-1691	SIZE A2 CAGE CODE 00779 DRAWING NO C-796136 RESTRICTED TO	
1 PLC ±0.13 [.005]	±0.13 [.005]	APPLICATION SPEC	SCALE 3:1 SHEET 1 OF 1 REV G6	
2 PLC ±0.050 [.0020]	±0.050 [.0020]	WEIGHT -		
3 PLC ±	±	CUSTOMER DRAWING		
4 PLC ANGLES ±5	±5			
FINISH				