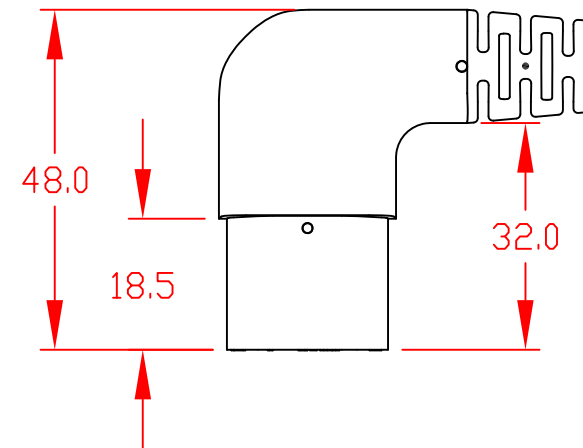
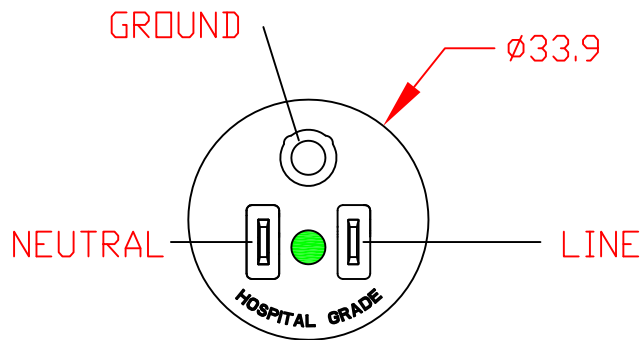
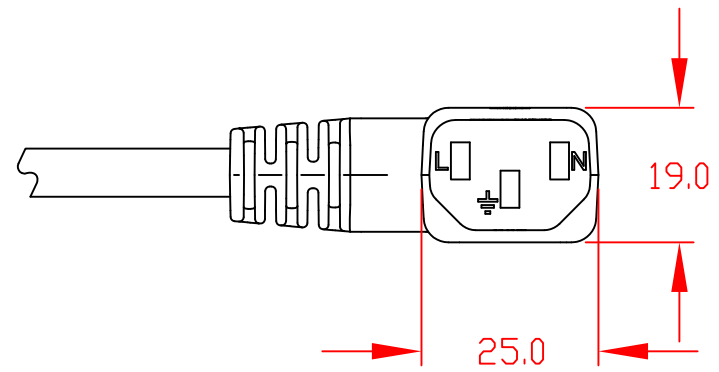
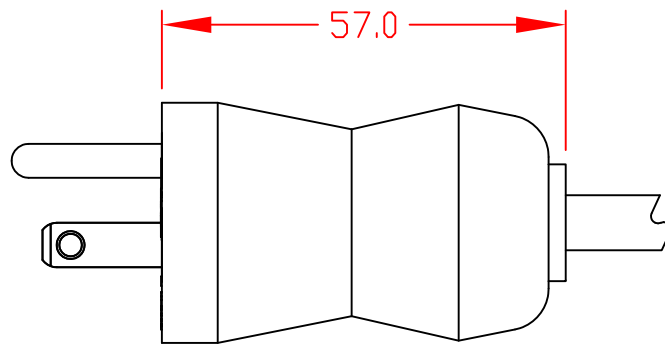


8½" x 11" (print at 1" = 25.4 units)



THIS DOCUMENT AND ITS CONTENTS ARE THE PROPRIETARY CONFIDENTIAL PROPERTY OF INTERPOWER CORPORATION. NO USE OR COPIES MAY BE MADE WITHOUT WRITTEN PERMISSION FROM INTERPOWER CORPORATION.

REV	CHANGE DESCRIPTION	INITIALS	DATE
F	Removed non-technical markings.	DDF	11/30/17
E	Relocated green dot to new location; removed misc. markings.	DDF	6/14/17
D	Updated plug views, rescaled title block, made dims 1 plc decimal	ATS	06/11/15
C	Updated description in title block to say "Hospital Grade"	DDF	3-02-12
B	Replaced L/N blades and ground pin		5-28-10
A	Replaced C13 003 w/C13 056		12-20-07

DIMENSIONS IN MILLIMETERS		TITLE: North American Hospital Grade Cord Set	
DRAFT BY:	JPC	DATE:	12-16-02
DRAFTING APPROVAL:	JPC	DATE:	12-16-02
MATERIAL:	PVC	PART NUMBER:	86610740
		DO NOT SCALE	INTERPOWER CORPORATION
		SHEET 1 OF 1	