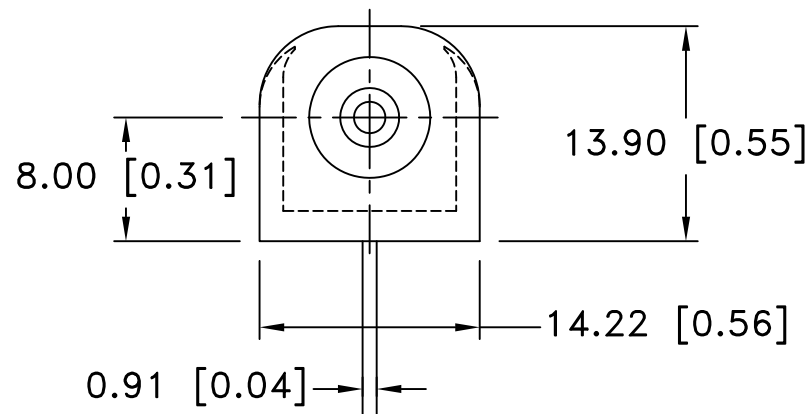
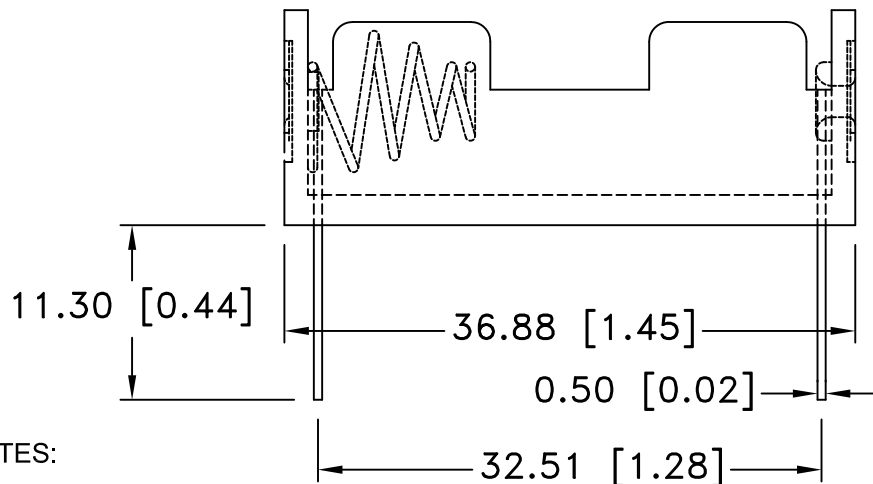
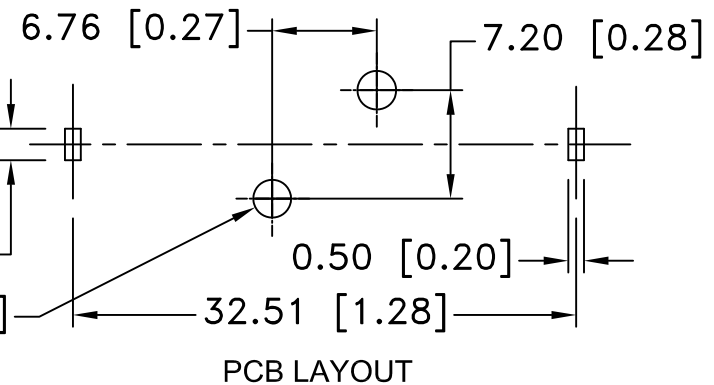
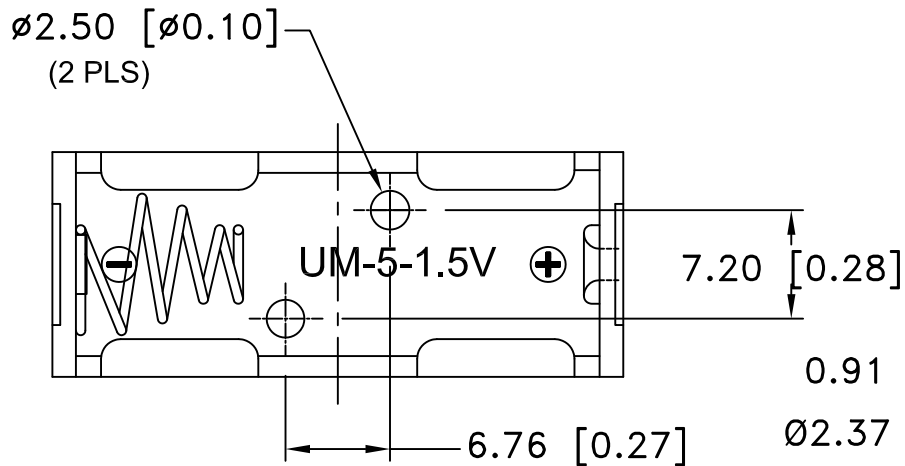


Date	SYM	REVISION RECORD	AUTH	DR.	CK.
6/17/06	A	ADDED "ROHS COMPLIANT"	T.B.	B.S.	
12/05/14	B	UPDATED TO ROHS 2 COMPLIANT	T.B.	B.S.	
07/22/17	C	UPDATED NOTES	T.B.	B.S.	




NOTES:

1. MATERIAL:

HOUSING : BLACK POLYPROPYLENE  
 FLAMMABILITY RATING -UL94 HB, UL FILE NO. E216959  
 TEMPERATURE RANGE: -10°C to +100°C  
 RIVETS: BRASS, NICKEL PLATED.  
 SPRING: SPRING STEEL, NICKEL PLATED.  
 PC PINS: STEEL, NICKEL PLATED  
 CONTACTS: SPRING STEEL, NICKEL PLATED.  
 CONTACT RESISTANCE: UNDER 50mΩ FOR +/- CONTACTS PER  
 EIA-540J000

ROHS 2 COMPLIANT

Tolerance (Except as noted)	 <b>Memory Protection Devices, Inc</b> 200 Broad Hollow Road, Farmingdale, New York 11735	Scale	Drawn By B.S.
		Approved By T.B.	
decimal ±.5 (.020)	Title ONE "N" CELL HOLDER		
Fractional ± .8 (.030)	Date 07/22/17	Drawing Number BHNPC	
Angular ± 3°			