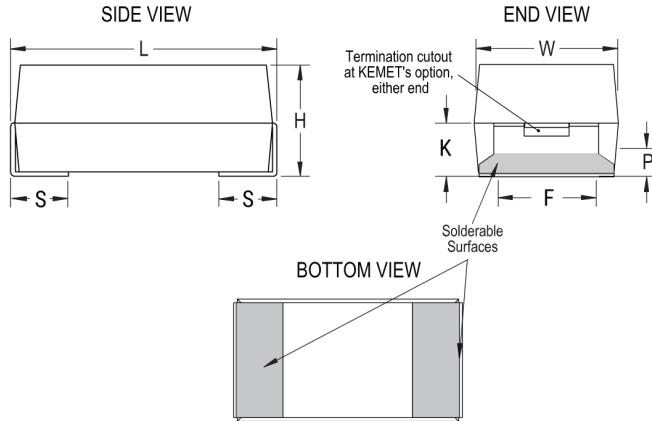


CWR09NC105KB

Aliases (T409E105K050BC)

T409 CWR09, Tantalum, MnO₂ Tantalum, Military/High Reliability, 1 uF, 10%, 50 VDC, SMD, MnO₂, Molded, Military Equivalent, B (0.1%/1000 Hrs), 6 Ohms, 5125, Height Max = 1.65mm



Click [here](#) for the 3D model.

Dimensions

Footprint	5125
L	5.08mm +/-0.38mm
W	2.54mm +/-0.38mm
H	1.27mm +/-0.38mm
S	0.76mm +0.25/-0.13mm
F	2.41mm +0.13/-0.25mm
K	0.76mm MIN
P	0.38mm MIN

Packaging Specifications

Packaging	T&R, 178mm
Packaging Quantity	2500

General Information

Series	T409 CWR09
Dielectric	MnO ₂ Tantalum
Style	SMD Chip
Description	SMD, MnO ₂ , Molded, Military Equivalent
RoHS	No
Prop 65	⚠ WARNING: Cancer and reproductive harm - http://www.p65warnings.ca.gov .
SCIP Number	652b281f-d242-4453-bc44-0655d646cec3
Termination	Hot Solder Dipped
Qualifications	MIL-PRF-55365/4, CWR09 Style
AEC-Q200	No
Component Weight	421.63 mg
Notes	Note: When Option C Is Selected For Lead Material, Add An Additional 0.38mm To The Tolerances For "L", "W", "H", "K", "F" And "S".
MSL	1

Specifications

Capacitance	1 uF
Capacitance Tolerance	10%
Voltage DC	50 VDC (85C), 33.5 VDC (125C)
Temperature Range	-55/+125°C
Rated Temperature	85°C
Dissipation Factor	6% 120Hz 25C
Failure Rate	B (0.1%/1000 Hrs)
Resistance	6 Ohms (100kHz 25C)
Ripple Current	122 mA (rms, 100kHz 25C)
Leakage Current	1 uA (5min 25°C)
Testing and Reliability	Standard Testing Only

Statements of suitability for certain applications are based on our knowledge of typical operating conditions for such applications, but are not intended to constitute - and we specifically disclaim - any warranty concerning suitability for a specific customer application or use. This information is intended for use only by customers who have the requisite experience and capability to determine the correct products for their application. Any technical advice inferred from this information or otherwise provided by us with reference to the use of our products is given gratis, and we assume no obligation or liability for the advice given or results obtained.