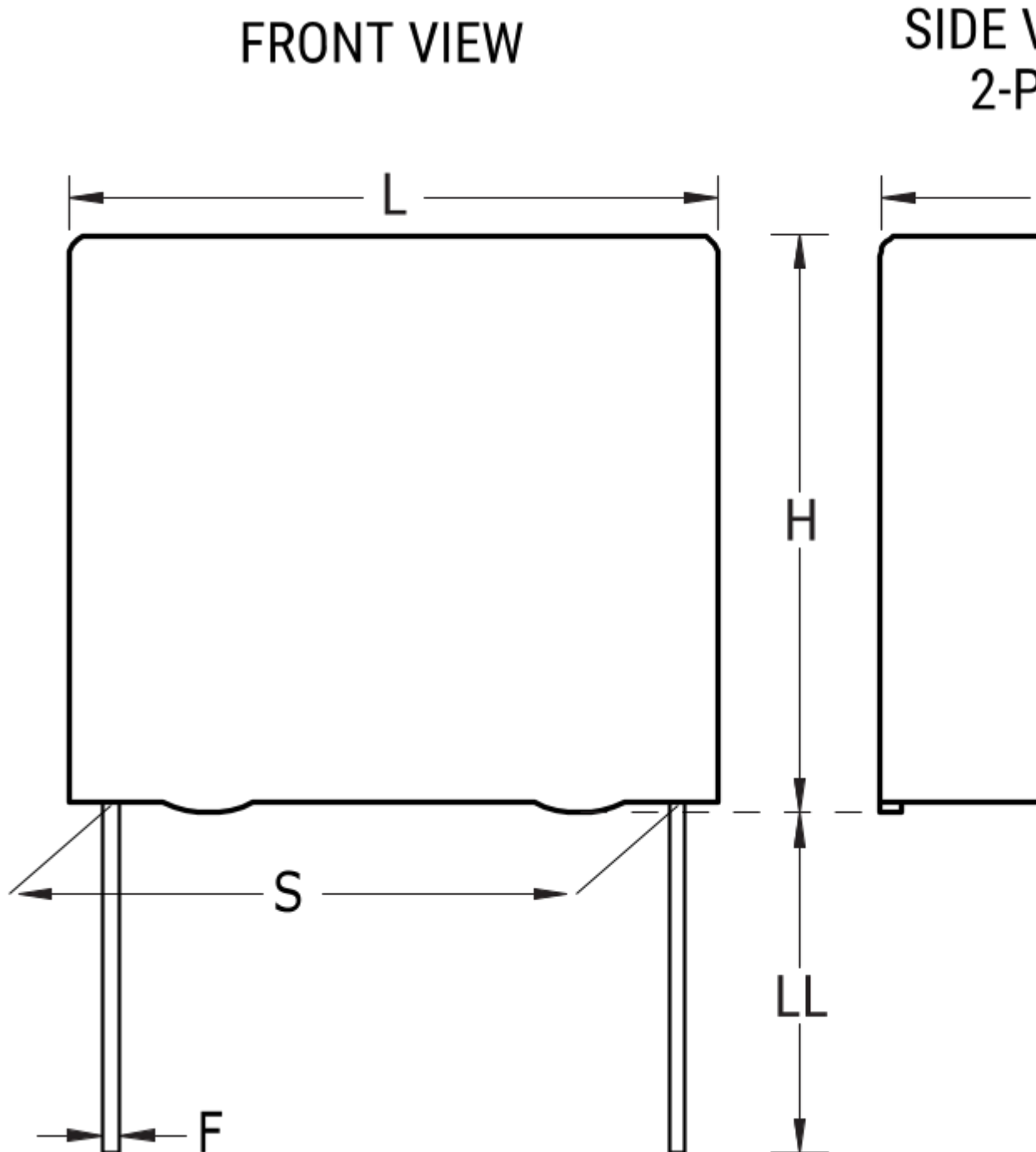


PHE820MB5330MR17

Aliases (F720BE333M275A)

Not for New Design • Recommended Replacement Series R46 X2 310 VAC

PHE820M/F720, Film, Metallized Polyester, Safety, 0.033 uF, 20%, 275 VAC (X2), 760 VDC, 100°C,
Lead Spacing = 15mm



Click [here](#) for the 3D model.

Dimensions

L 18mm MAX
H 12.5mm MAX
T 5.5mm MAX
S 15mm +/-0.4mm
LL 17mm -1mm
F 0.8mm NOM
G 0.5mm NOM

Packaging Specifications

Packaging Bulk, Bag
Packaging Quantity 800

General Information

Series PHE820M/F720
Dielectric Metallized Polyester
Style Radial
Features EMI Safety
RoHS Yes
Lead Wire Leads
Safety Class X2
Qualifications ENEC, UL, cUL
AEC-Q200 No
THB Performance No
Component Weight 1.872 g
Miscellaneous SRF= 7.5 MHz.
Notes Not for new design – the replacement series is: R46 X2 310VAC.

Specifications

Capacitance 0.033 uF
Capacitance Tolerance 20%
Voltage AC 275 VAC (X2)
Voltage DC 760 VDC
Temperature Range -40/+100°C
Rated Temperature 100°C
Dissipation Factor 1% 1kHz
Insulation Resistance 30 GOhms
Max dV/dt 100 V/us

Statements of suitability for certain applications are based on our knowledge of typical operating conditions for such applications, but are not intended to constitute - and we specifically disclaim - any warranty concerning suitability for a specific customer application or use. This Information is intended for use only by customers who have the requisite experience and capability to determine the correct products for their application. Any technical advice inferred from this Information or otherwise provided by us with reference to the use of our products is given gratis, and we assume no obligation or liability for the advice given or results obtained.