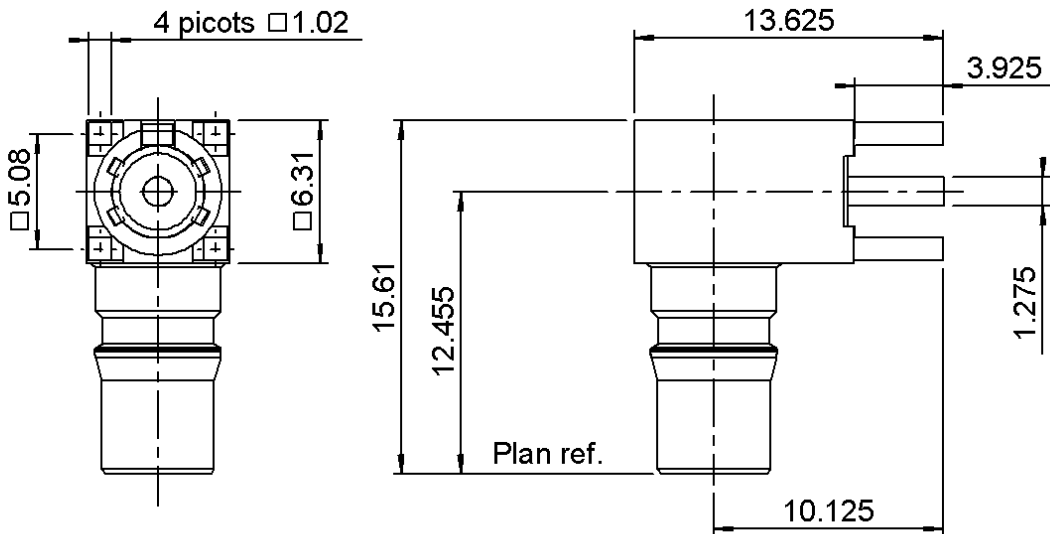


FEMALE RIGHT ANGLE RECEPTACLE FOR PCB

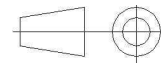
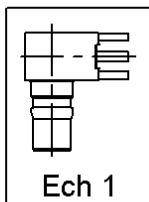
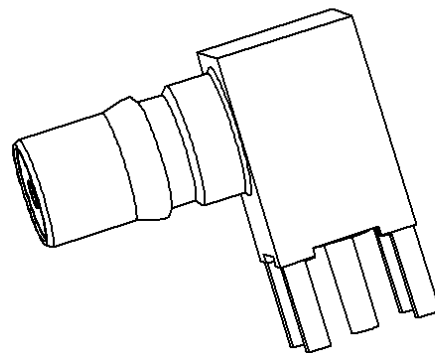
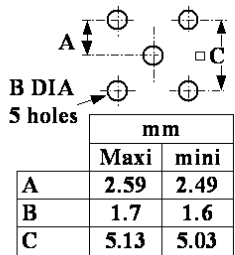
R123.680.003

SOLDER LEGS

Series : QMA



PANEL CUT OUT



All dimensions are in mm.

COMPONENTS	MATERIALS	PLATING (µm)
BODY	BRASS	NPGR
CENTER CONTACT	BERYLLIUM COPPER	NPGR
OUTER CONTACT	-	-
INSULATOR	PTFE	
GASKET	-	
OTHERS PARTS	BRASS	GOLD 0.2 OVER NICKEL 2
-	-	-
-	-	-

Issue : 0923 D

In the effort to improve our products, we reserve the right to make changes judged to be necessary.



**FEMALE RIGHT ANGLE RECEPTACLE FOR PCB
SOLDER LEGS**

R123.680.003

Series : QMA

PACKAGING

SPECIFICATION

Standard	Unit	Other
100	'W' option	Contact us

ELECTRICAL CHARACTERISTICS

ENVIRONMENTAL

Impedance **50** Ω
 Frequency **0-6** GHz
 VSWR **1.30 + 0,0000** x F(GHz) Maxi
 Insertion loss **0.07** √F(GHz) dB Maxi
 RF leakage - (**80** - F(GHz)) dB Maxi
 Voltage rating **500** Veff Maxi
 Dielectric withstanding voltage **1000** Veff mini
 Insulation resistance **5000** MΩ mini

Operating temperature **-40/+105** ° C
 Hermetic seal **NA** Atm.cm3/s
 Panel leakage **NA**

OTHER CHARACTERISTICS

Assembly instruction **NA**

Others :
 Intermod.:<-120dBc at 1.8GHz(2 x 20W)
 RF leakage Interf. only: 3<F<6GHz:<-70dB

MECHANICAL CHARACTERISTICS

Center contact retention
 Axial force – Mating end **27** N mini
 Axial force – Opposite end **27** N mini
 Torque **NA** N.cm mini

 Recommended torque
 Mating **NA** N.cm
 Panel nut **NA** N.cm

 Mating life **100** Cycles mini
 Weight **3,0000** g

Issue : 0923 D

In the effort to improve our products, we reserve the right to make changes judged to be necessary.

