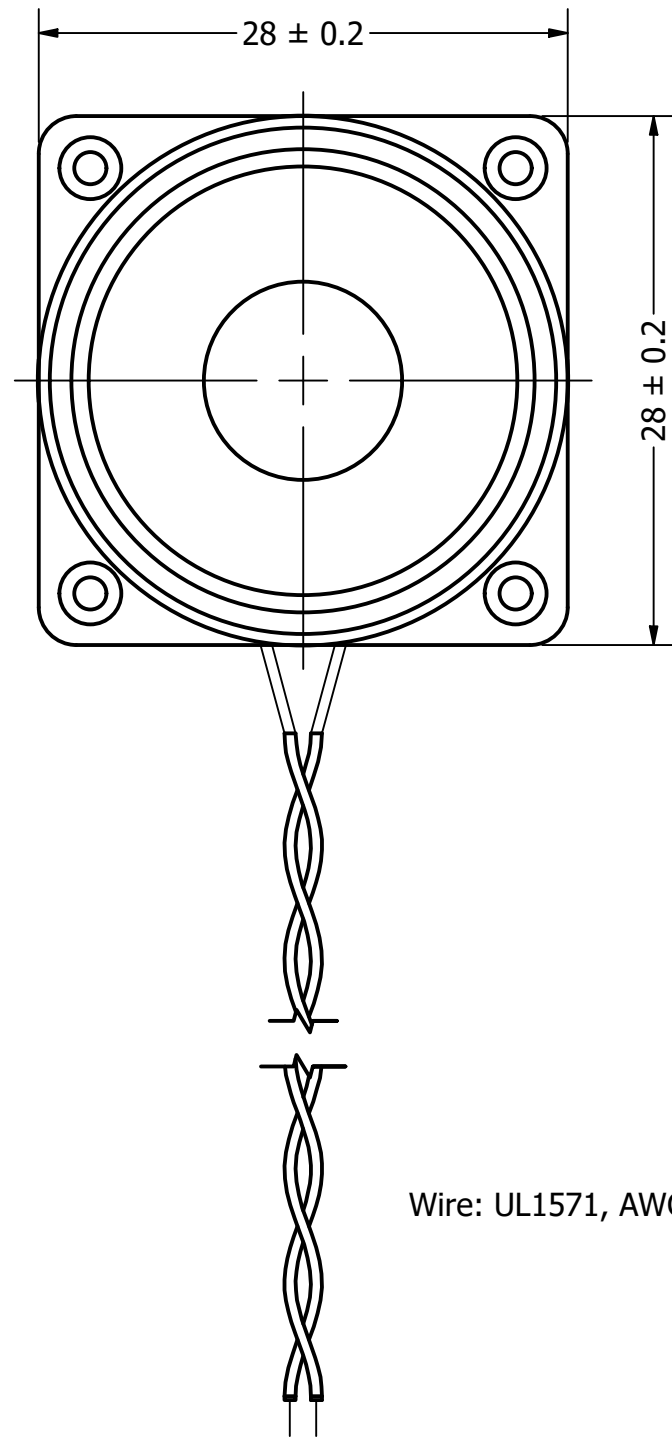
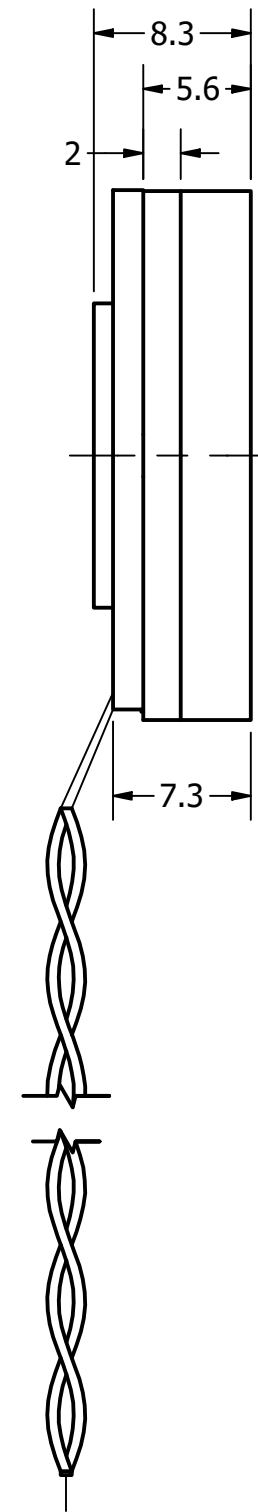


Part Number:	SW280408-1	
DESCRIPTION:	Waterproof Dynamic Speaker	
DRAWN	CJ	3/10/2017
CHECKED	P.D.	10/5/2017
APPROVED	C.E.	10/5/2017
This document contains data proprietary to DB Unlimited. Any use or reproduction, in any form, without prior written permission of DB Unlimited is prohibited. All terms and conditions can be found at www.dbunlimitedco.com		

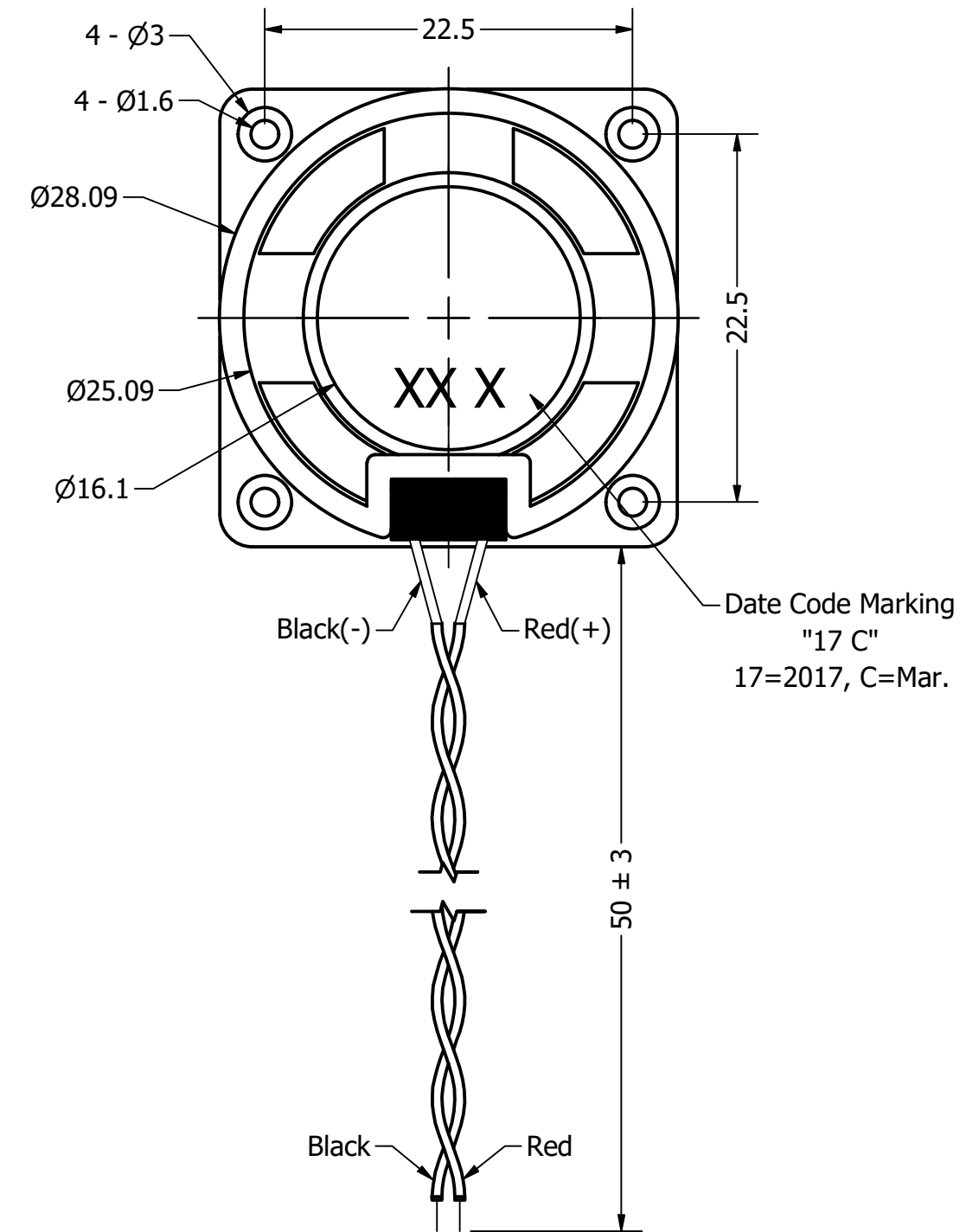
Top View



Side View



Bottom View



Items	Specifications	Conditions	REVISION HISTORY			
Sound Pressure Level	90	dB (@ 10cm), Avg.	REV	DESCRIPTION	DATE	APPROVED
Resonant Frequency	480	Hz	1	Released from Engineering	10/5/2017	C.E.
Frequency Range	480 ~ 10,000	Hz	2	Added polarity marking	10/25/2017	C.E.
Nominal Power	1.5	W	3	Update markings	2/28/2018	C.E.
Max. Power	2	W	4	Added mounthing hole dimensions	9/3/2019	C.E.
Impedance	8	Ω		Updated Resonant Frequency	3/25/2020	J.S.
Cone Material	Mylar		NOTES			
Mount Type	Frame Mount		1) All dimensions are in mm unless otherwise noted			
IP Rating	IP67		2) All tolerances are ± 0.3 mm unless otherwise noted			
Storage Temperature	-20 ~ +55	°C	3) All parts meet RoHS			
Operating Temperature	-20 ~ +55	°C	4) Subject to change or redrawn without notice			
Weight	7.3	g				