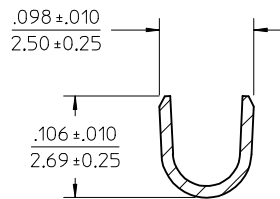


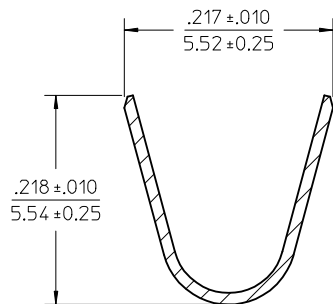
CARRIER STRIP PROGRESSION

NOTES:

1. MATERIAL: C26000 BRASS.
2. FINISH: 20 MICROINCH (0.5 MICROMETER) MINIMUM PREPLATED HOT TIN DIP.
3. PRODUCT SPECIFICATION: PS-43374-001.
4. PACKAGING: TERMINALS WOUND ON 24" REELS WITH PAPER INTERLEAF.
5. THIS TERMINAL FOR USE WITH 18-20 AWG STRANDED WIRE, UL 1015, 1056 OR SPT-3 STYLES, .100-.180 INSULATION DIAMETER. FOR FURTHER INFORMATION, REFER TO MOLEX APPLICATION TOOLING SPECIFICATION.
6. TERMINAL MATES TO .125/93.18 WIDE X .020/(0.51) THICK FLAT BLADE TERMINALS OR MOLEX 43178 SERIES CRIMP TERMINALS.

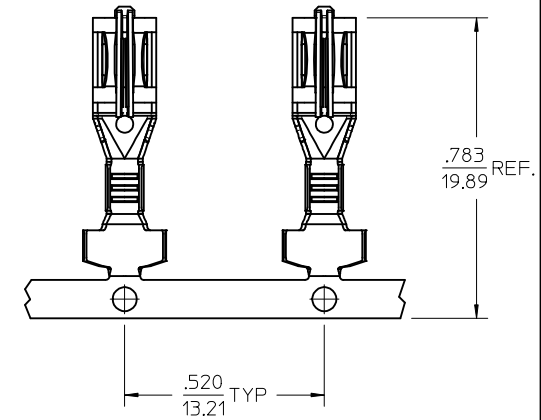
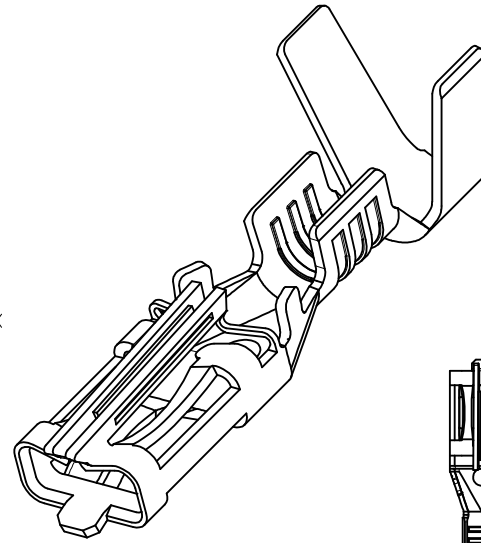
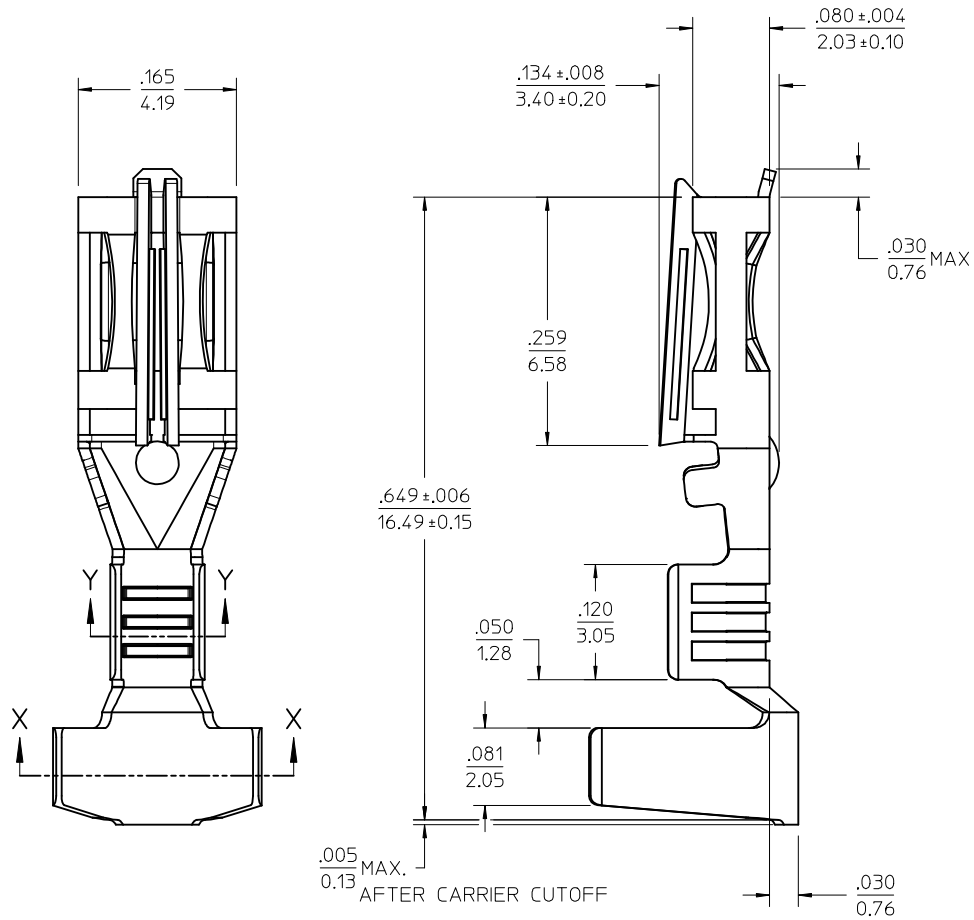


SECTION Y-Y



SECTION X-X

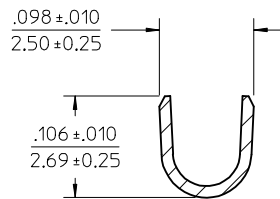
CORRECT TOLERANCE EC NO: UCP2014-5466 DRAWN: DFOX 2014/07/09 CHKD: BANDERSON 2014/07/09 APPR: F. SMITH 2014/07/17	QUALITY SYMBOLS ▽=0 ▽=0 ▽=0	GENERAL TOLERANCES (UNLESS SPECIFIED)		DIMENSION STYLE	SCALE	DESIGN UNITS	THIRD ANGLE PROJECTION
		mm	INCH	IN/MM	10:1	INCH	
		DRAWN BY		DATE	TITLE		
		CHECKED BY		DATE	SABRE 18-20AWG CRIMP FEM .125 FL BLD TERM W/O TPA UL1015, 1056 OR SPT-3		
A3	DESCRIPTION	APPROVED BY		DATE	DOCUMENT NO.		SHEET NO. 1 OF 1
		APATEL		09-09-2009	433743001 SD-43374-311		
		DRAFT WHERE APPLICABLE MUST REMAIN WITHIN DIMENSIONS					
ANGULAR ±---°		MATERIAL NO.		SIZE		THIS DRAWING CONTAINS INFORMATION THAT IS PROPRIETARY TO MOLEX INCORPORATED AND SHOULD NOT BE USED WITHOUT WRITTEN PERMISSION	



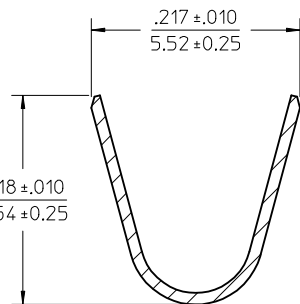
CARRIER STRIP PROGRESSION

NOTES:

1. MATERIAL: C26000 BRASS.
2. FINISH: 20 MICROINCH (0.5 MICROMETER) MINIMUM PREPLATED HOT TIN DIP.
3. PRODUCT SPECIFICATION: PS-43374-001.
4. PACKAGING: TERMINALS WOUND ON 24" REELS WITH PAPER INTERLEAF.
5. THIS TERMINAL FOR USE WITH 18-20 AWG STRANDED WIRE, UL 1015, 1056 OR SPT-3 STYLES, .100-.180 INSULATION DIAMETER. FOR FURTHER INFORMATION, REFER TO MOLEX APPLICATION TOOLING SPECIFICATION.
6. TERMINAL MATES TO .125/93.18 WIDE X .020/(0.51) THICK FLAT BLADE TERMINALS OR MOLEX 43178 SERIES CRIMP TERMINALS.



SECTION Y-Y



SECTION X-X

CORRECT TOLERANCE EC NO: UCP2014-5466 DRAWN: DFOX 2014/07/09 CHKD: BANDERSON 2014/07/09 APPR: FSMITH 2014/07/17	QUALITY SYMBOLS ▽=0 ▽=0 ▽=0	GENERAL TOLERANCES (UNLESS SPECIFIED)		DIMENSION STYLE	SCALE	DESIGN UNITS	THIRD ANGLE PROJECTION	
				IN/MM	10:1	INCH		
				mm				
				INCH				
A3	DESCRIPTION	DRAFT WHERE APPLICABLE MUST REMAIN WITHIN DIMENSIONS		DRAWN BY	DATE	TITLE SABRE 18-20AWG CRIMP FEM .125 FL BLD TERM W/O TPA UL1015, 1056 OR SPT-3 molex	DOCUMENT NO. SD-43374-311	
				BWIRKUS	09-09-2009			
				CHECKED BY	DATE			
				BWIRKUS	09-09-2009			
				APPROVED BY	DATE	SHEET NO. 1 OF 1		
				APATEL	09-09-2009			
		ANGULAR ±---°		MATERIAL NO.				
				433743001				
				SIZE				
				C				
				THIS DRAWING CONTAINS INFORMATION THAT IS PROPRIETARY TO MOLEX INCORPORATED AND SHOULD NOT BE USED WITHOUT WRITTEN PERMISSION				