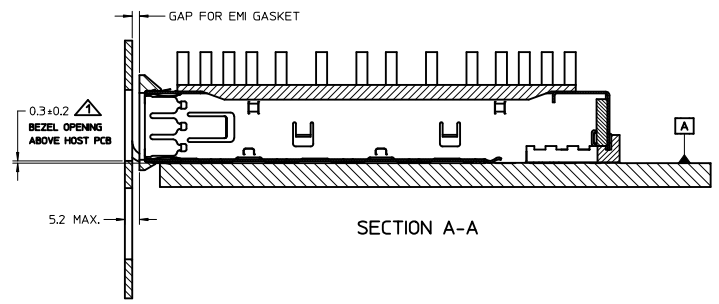
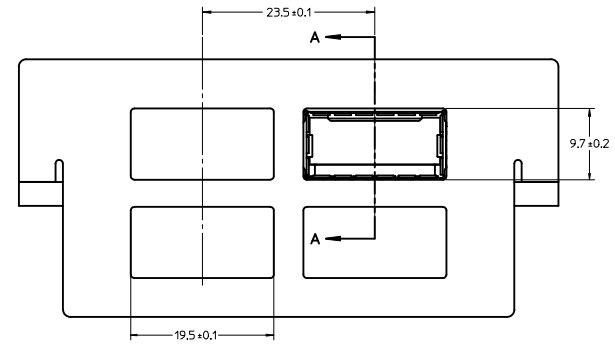
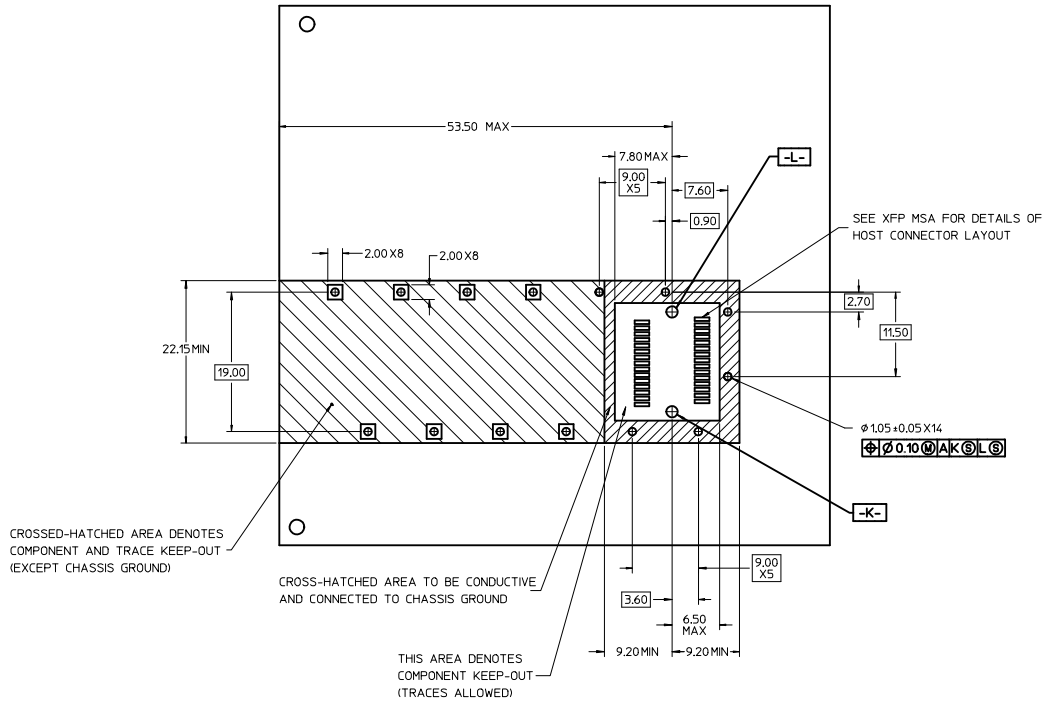


1. PRESS FIT LEGS 2.28mm [0.090"]
2. SINGLE SIDED BOARD THICKNESS  
 NOMINAL: 1.60 [0.062"]  
 MINIMUM: 1.44 [0.057"]  
 BELLY TO BELLY BOARD THICKNESS  
 NOMINAL: 2.30 [0.090"]  
 MINIMUM: 2.07 [0.081"]
3. REFERENCE DOCUMENTS:  
 PRODUCT SPECIFICATION: XFP MSA
4. THIS PRODUCT MEETS THE RESTRICTION OF HAZARDOUS SUBSTANCES IN ELECTRICAL AND ELECTRONIC EQUIPMENT (RoHS) DIRECTIVE (2009/95/EC).

<b>ADDED NOTE PG 2</b> EC NO: USY2011-0301 DRAWN: JERWIN 2010/03/10 CHECKED: CHRISCHY APPROVED: RAHMOOD 2010/11/23	QUALITY SYMBOLS	GENERAL TOLERANCES (UNLESS SPECIFIED)	DIMENSION STYLE	SCALE	DESIGN UNITS	THIRD ANGLE PROJECTION															
	▼=0 ▽=0	<table border="1"> <thead> <tr> <th></th> <th>mm</th> <th>INCH</th> </tr> </thead> <tbody> <tr> <td>4 PLACES</td> <td>±.005</td> <td>±.0005</td> </tr> <tr> <td>3 PLACES</td> <td>±.008</td> <td>±.0008</td> </tr> <tr> <td>2 PLACES</td> <td>±.010</td> <td>±.0010</td> </tr> <tr> <td>1 PLACE</td> <td>±.025</td> <td>±.0025</td> </tr> </tbody> </table> ANGULAR ± 1°		mm	INCH	4 PLACES	±.005	±.0005	3 PLACES	±.008	±.0008	2 PLACES	±.010	±.0010	1 PLACE	±.025	±.0025	MM ONLY DRAWN BY: JERWIN DATE: 2008/09/10 CHECKED BY: CHRISCHY DATE: 2008/08/10 APPROVED BY: RAHMOOD DATE: 2010/11/23	3:1	METRIC	TITLE: XFP CAGE ASSEMBLY W/ INSULATING TAPE MOLEX INCORPORATED
		mm	INCH																		
	4 PLACES	±.005	±.0005																		
3 PLACES	±.008	±.0008																			
2 PLACES	±.010	±.0010																			
1 PLACE	±.025	±.0025																			
DRAFT WHERE APPLICABLE MUST REMAIN WITHIN DIMENSIONS	MATERIAL NO: 747360451 SIZE: D	DOCUMENT NO: SD-74736-0451	SHEET NO: 1 OF 3																		

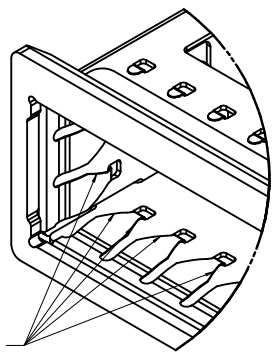
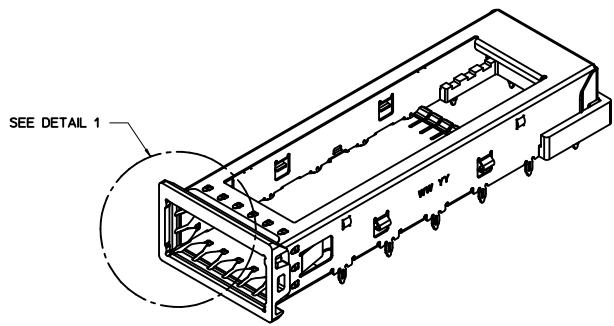
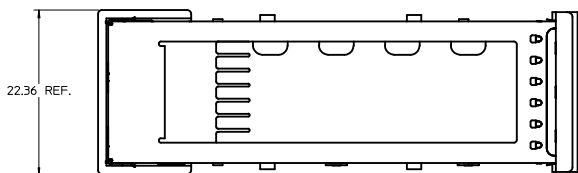


▲ FOR PCI APPLICATIONS RECOMMENDED DIMENSION IS 0.4 ± 0.1

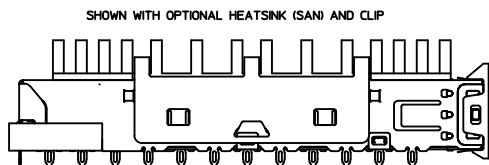
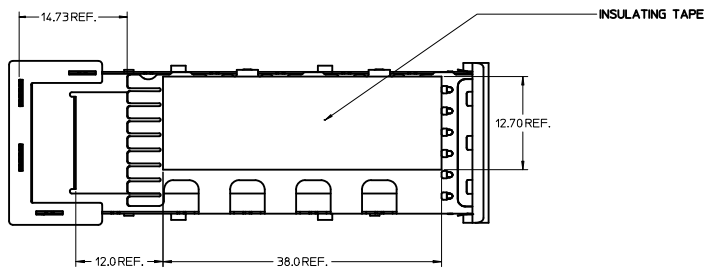
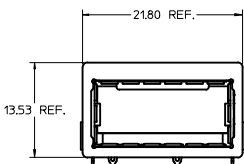
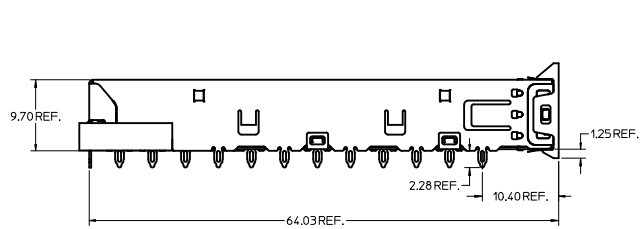
<b>ADDED NOTE PG 2</b> EC NO: USY2011-0301 DRAWN: JERWIN 2010/03/01 CHKD: CHIRSCHY APPR: RAHMOOD 2010/11/23	QUALITY SYMBOLS	GENERAL TOLERANCES (UNLESS SPECIFIED)	DIMENSION STYLE	SCALE	DESIGN UNITS	THIRD ANGLE PROJECTION
	▽=0 ▽=0	mm INCH 4 PLACES ± --- ± --- 3 PLACES ± --- ± --- 2 PLACES ± 0.10 ± --- 1 PLACE ± 0.25 ± --- ANGULAR ± 1°	MM ONLY	3:1	METRIC	TITLE: XFP CAGE ASSEMBLY W/ INSULATING TAPE MATERIAL NO: 747360451 DOCUMENT NO: SD-74736-0451
	DRAWN BY: JERWIN CHECKED BY: CHIRSCHY APPROVED BY: RAHMOOD	DATE: 2008/09/10 DATE: 2008/08/10 DATE: 2010/11/23	MOLEX INCORPORATED	SHEET NO: 2 OF 3		
	THIS DRAWING CONTAINS INFORMATION THAT IS PROPRIETARY TO MOLEX INCORPORATED AND SHOULD NOT BE USED WITHOUT WRITTEN PERMISSION					

DATE	REV	DESCRIPTION
2008/09/10	A	1. INITIAL RELEASE
2009/05/07	B	1. REMOVED ISO VIEW FROM PAGE 1
		2. ADDED NOTES TO PAGE 1
		3. REMOVED NOTE 2 FROM PAGE 2
		4. REMOVED NOTE 3 FROM PAGE 1 AND RENUMBERED REMAINING NOTES
2010/03/01	C	1. ADDED NOTE - THIS AREA DENOTES COMPONENT KEEP-OUT (TRACES ALLOWED) PAGE 2.

<b>REMOVED ISO VIEW</b> IEC NO. USY2011-0301 DRAWN: JERWIN 2010/03/01 CHECKED: CHYK & CHRSCHY APPROVED: RMAHMOOD 2010/11/23	QUALITY SYMBOLS	GENERAL TOLERANCES (UNLESS SPECIFIED)	DIMENSION STYLE	SCALE	DESIGN UNITS	THIRD ANGLE PROJECTION															
	▽=0 ▽=0	<table border="1"> <thead> <tr> <th></th> <th>mm</th> <th>INCH</th> </tr> </thead> <tbody> <tr> <td>4 PLACES</td> <td>±---</td> <td>±---</td> </tr> <tr> <td>3 PLACES</td> <td>±---</td> <td>±---</td> </tr> <tr> <td>2 PLACES</td> <td>±0.10</td> <td>±---</td> </tr> <tr> <td>1 PLACE</td> <td>±0.25</td> <td>±---</td> </tr> </tbody> </table> ANGULAR ± 1°		mm	INCH	4 PLACES	±---	±---	3 PLACES	±---	±---	2 PLACES	±0.10	±---	1 PLACE	±0.25	±---	MM ONLY DRAWN BY: JERWIN DATE: 2008/09/10 CHECKED BY: CHRSCHY DATE: 2008/08/10 APPROVED BY: RMAHMOOD DATE: 2010/11/23	1:1	METRIC	TITLE: XFP CAGE ASSEMBLY W/ INSULATING TAPE Molex MOLEX INCORPORATED
		mm	INCH																		
	4 PLACES	±---	±---																		
3 PLACES	±---	±---																			
2 PLACES	±0.10	±---																			
1 PLACE	±0.25	±---																			
DRAFT WHERE APPLICABLE MUST REMAIN WITHIN DIMENSIONS	MATERIAL NO. 747360451 SIZE D	DOCUMENT NO. SD-74736-0451 SHEET NO. 3 OF 3																			
THIS DRAWING CONTAINS INFORMATION THAT IS PROPRIETARY TO MOLEX INCORPORATED AND SHOULD NOT BE USED WITHOUT WRITTEN PERMISSION																					

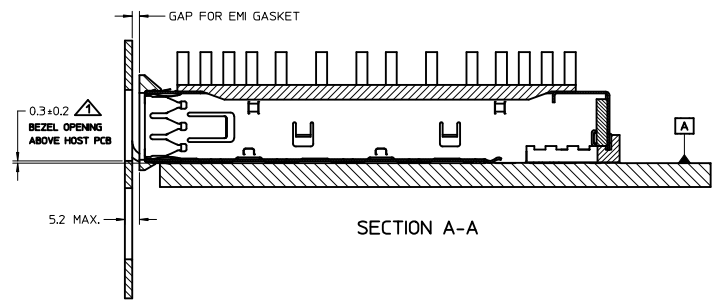
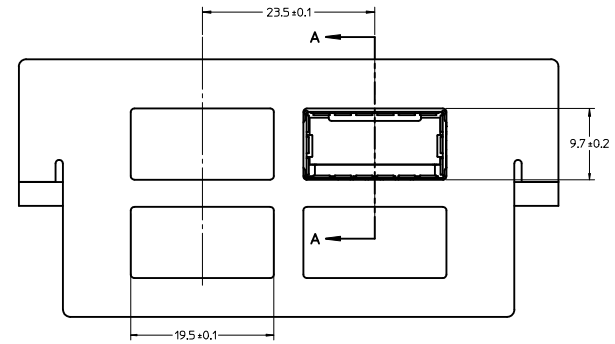
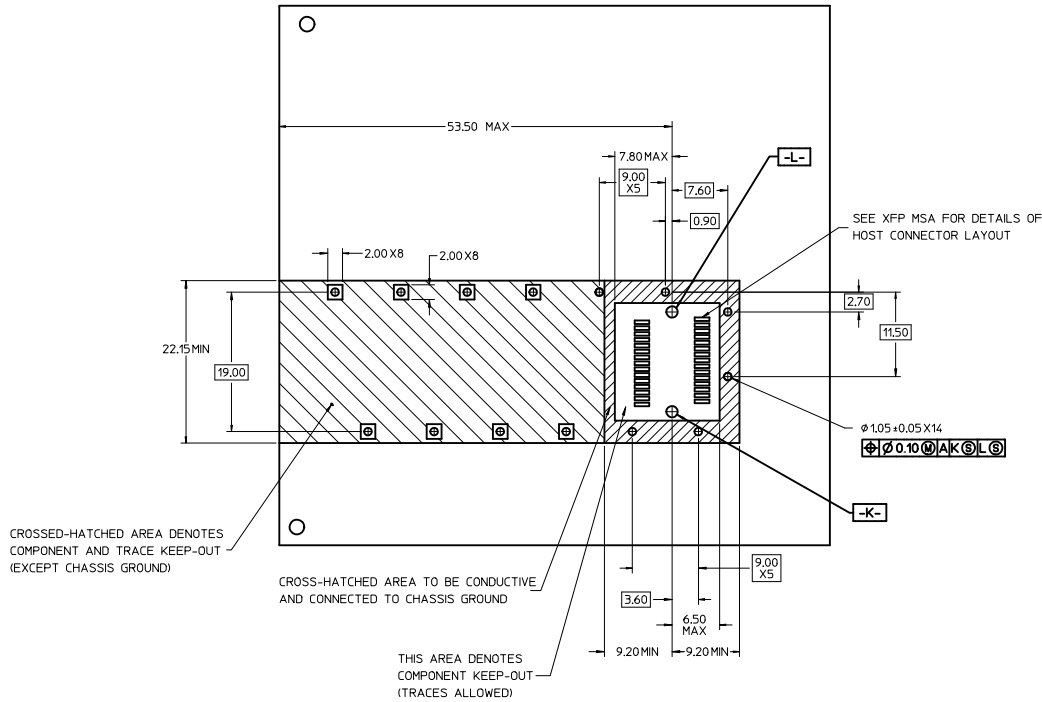


DETAIL 1  
SCALE 8:1



1. PRESS FIT LEGS 2.28mm [0.090"]
2. SINGLE SIDED BOARD THICKNESS  
 NOMINAL: 1.60 [0.062"]  
 MINIMUM: 1.44 [0.057"]  
 BELLY TO BELLY BOARD THICKNESS  
 NOMINAL: 2.30 [0.090"]  
 MINIMUM: 2.07 [0.081"]
3. REFERENCE DOCUMENTS:  
 PRODUCT SPECIFICATION: XFP MSA
4. THIS PRODUCT MEETS THE RESTRICTION OF HAZARDOUS SUBSTANCES IN ELECTRICAL AND ELECTRONIC EQUIPMENT (RoHS) DIRECTIVE (2009/95/EC).

INITIAL RELEASE EC NO: USY2011-0313 DRAWN: JERWIN 2010/11/03 CHECKED: CHRISCHY 2010/11/03 APPROVED: RMAHMOOD 2010/11/09	QUALITY SYMBOLS ▽=0 ▽=0	GENERAL TOLERANCES (UNLESS SPECIFIED)		DIMENSION STYLE MM ONLY	SCALE 3:1	DESIGN UNITS METRIC	THIRD ANGLE PROJECTION			
		4 PLACES ±.05 ±.05	3 PLACES ±.05 ±.05	2 PLACES ±.10 ±.10	1 PLACE ±.25 ±.25	ANGULAR ± 1°	DRAWN BY: JERWIN DATE: 2010/11/03	CHECKED BY: CHRISCHY DATE: 2010/11/03	APPROVED BY: RMAHMOOD DATE: 2010/11/09	TITLE XFP CAGE ASSEMBLY W/ INSULATING TAPE
		DRAFT WHERE APPLICABLE MUST REMAIN WITHIN DIMENSIONS			MATERIAL NO. 747360452	DOCUMENT NO. SD-74736-0452	MOLEX INCORPORATED			
					SIZE D	THIS DRAWING CONTAINS INFORMATION THAT IS PROPRIETARY TO MOLEX INCORPORATED AND SHOULD NOT BE USED WITHOUT WRITTEN PERMISSION			SHEET NO. 1 OF 3	



△ FOR PCI APPLICATIONS RECOMMENDED DIMENSION IS 0.4 ± 0.1

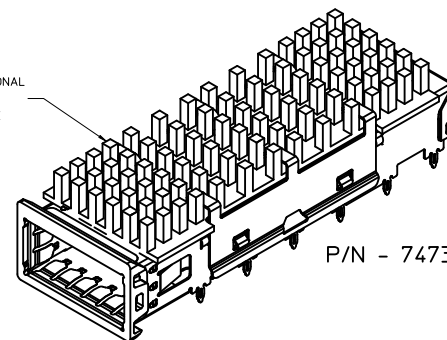
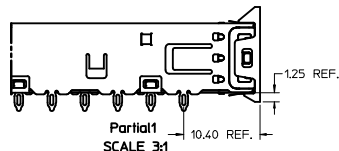
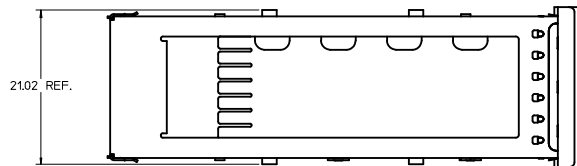
<b>INITIAL RELEASE</b> IEC NO: USYZ2011-0313 DRAWN: JERWIN 2010/11/03 CHKD: CHRSCHY 2010/11/03 APPR: RAHMOOD 2010/11/09	<b>QUALITY SYMBOLS</b> ▽=0 ▽=0	GENERAL TOLERANCES (UNLESS SPECIFIED)		DIMENSION STYLE <b>MM ONLY</b>	SCALE <b>3:1</b>	DESIGN UNITS <b>METRIC</b>	THIRD ANGLE PROJECTION		
		4 PLACES ± --- ± ---	3 PLACES ± --- ± ---	2 PLACES ± 0.10 ± ---	1 PLACE ± 0.25 ± ---	DRAWN BY JERWIN	DATE 2010/11/03	TITLE <b>XFP CAGE ASSEMBLY W/ INSULATING TAPE</b>	
		ANGULAR ± 1 °				CHECKED BY CHRSCHY	DATE 2010/11/03	MOLEX INCORPORATED	
		DRAFT WHERE APPLICABLE MUST REMAIN WITHIN DIMENSIONS				APPROVED BY RAHMOOD	DATE 2010/11/09	MATERIAL NO. <b>747360452</b>	DOCUMENT NO. <b>SD-74736-0452</b>

20 19 18 17 16 15 14 13 12 11 10 9 8 7 6 5 4 3 2 1

DATE	REV	DESCRIPTION
2010/11/03	A	1. INITIAL RELEASE

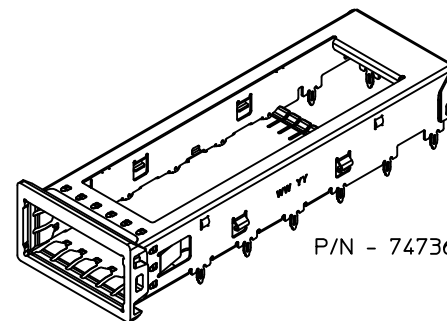
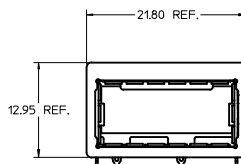
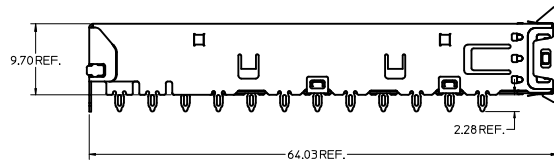
<b>INITIAL RELEASE</b> IEC NO. USY2011-0313 DRAWN BY: JERWIN 2010/11/03 CHYK: CHIRSCHY 2010/11/03 APPR: MAHMOOD 2010/11/09	QUALITY SYMBOLS = 0 = 0	GENERAL TOLERANCES (UNLESS SPECIFIED)		DIMENSION STYLE <b>MM ONLY</b>	SCALE <b>1:1</b>	DESIGN UNITS <b>METRIC</b>	THIRD ANGLE PROJECTION
		4 PLACES ± --- ± --- 3 PLACES ± --- ± --- 2 PLACES ± 0.10 ± --- 1 PLACE ± 0.25 ± --- ANGULAR ± 1°	mm INCH ± --- ± --- ± --- ± --- ± --- ± ---	DRAWN BY: JERWIN 2010/11/03 CHECKED BY: CHIRSCHY 2010/11/03 APPROVED BY: MAHMOOD 2010/11/09	DATE: 2010/11/03 DATE: 2010/11/03 DATE: 2010/11/09	TITLE <b>XFP CAGE ASSEMBLY W/ INSULATING TAPE</b>	<b>MOLEX INCORPORATED</b>
DRAFT WHERE APPLICABLE MUST REMAIN WITHIN DIMENSIONS		SIZE <b>D</b>		THIS DRAWING CONTAINS INFORMATION THAT IS PROPRIETARY TO MOLEX INCORPORATED AND SHOULD NOT BE USED WITHOUT WRITTEN PERMISSION			

19 18 17 16 15 14 13 12 11 10 9 8 7 6 5 4 3 2 1

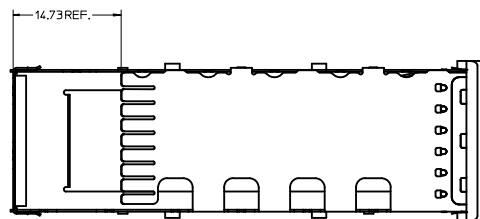


HEATSINK AND CLIP ARE OPTIONAL  
SEE CHART FOR HEATSINK OPTIONS  
CUSTOM HEATSINKS ARE AVAILABLE

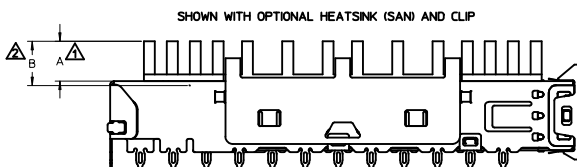
P/N - 747360212



P/N - 747360210

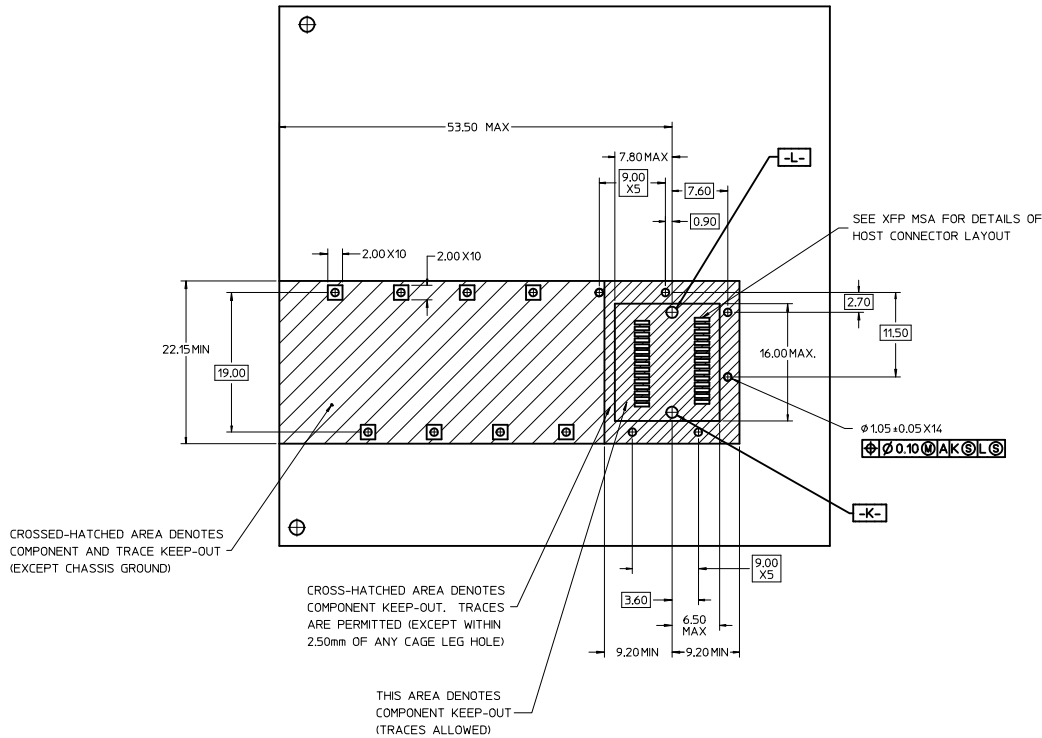


PART NUMBER FOR XFP CAGE ASSEMBLY & PARTS (W/OUT ELASTOMER EMI GASKET)					
P/N	DIM A	DIM B	DESCRIPTION	POWER LEVEL	THERMAL RESISTANCE @200 LFM
747360210	N/A	N/A	XFP CAGE WITH NO HEATSINK OR CLIP	N/A	N/A
747360211	4.0	4.2	XFP CAGE WITH PCI HEATSINK	UP TO 1.5W	<18.0 C/W
747360212	6.3	6.5	XFP CAGE WITH SAN HEATSINK (SHOWN)	UP TO 2.5W	<11.5 C/W
747360213	13.3	13.5	XFP CAGE WITH TALL HEATSINK	UP TO 3.5W	<8.0 C/W
747360230	N/A	N/A	HEATSINK CLIP ONLY	N/A	N/A
747360240	N/A	N/A	PCI HEATSINK ONLY	UP TO 1.5W	<18.0 C/W
747360241	N/A	N/A <td SAN HEATSINK ONLY	UP TO 2.5W	<11.5 C/W	
747360242	N/A	N/A	TALL HEATSINK ONLY	UP TO 3.5W	<8.0 C/W

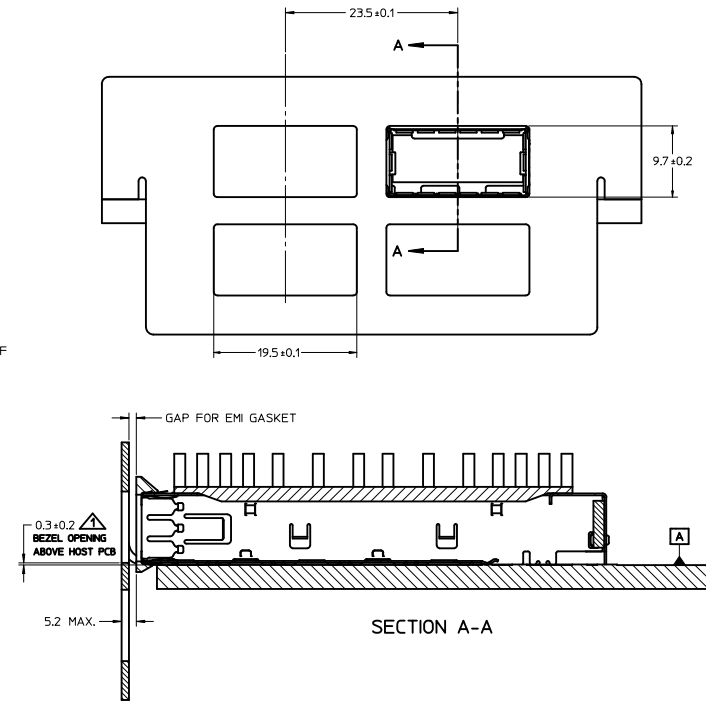


- ▲ MAXIMUM HEIGHT OF HEATSINK WITH MODULE INSERTED
- ▲ OVERALL HEIGHT OF HEATSINK
- 3. OTHER HEATSINK DESIGNS ARE AVAILABLE INCLUDING CUSTOM DESIGNS

<b>ADDED NOTE PG 2</b> EC NO: USY2011-0301 DRAWN BY: ERWIN 2010/06/07 CHECKED BY: CHYKCHIRSHY 2010/10/13 APPROVED BY: RAHMOOD 2010/11/23	QUALITY SYMBOLS ▽=0 ▽=0	GENERAL TOLERANCES (UNLESS SPECIFIED) <table border="1"> <tr> <th></th> <th>mm</th> <th>INCH</th> </tr> <tr> <td>4 PLACES</td> <td>±.004</td> <td>±.0001</td> </tr> <tr> <td>3 PLACES</td> <td>±.005</td> <td>±.0002</td> </tr> <tr> <td>2 PLACES</td> <td>±.010</td> <td>±.0004</td> </tr> <tr> <td>1 PLACE</td> <td>±.025</td> <td>±.0010</td> </tr> </table> ANGULAR ± 1°		mm	INCH	4 PLACES	±.004	±.0001	3 PLACES	±.005	±.0002	2 PLACES	±.010	±.0004	1 PLACE	±.025	±.0010	DIMENSION STYLE <b>MM ONLY</b>	SCALE <b>3:1</b>	DESIGN UNITS <b>METRIC</b>	THIRD ANGLE PROJECTION
		mm	INCH																		
	4 PLACES	±.004	±.0001																		
	3 PLACES	±.005	±.0002																		
2 PLACES	±.010	±.0004																			
1 PLACE	±.025	±.0010																			
DRAWN BY: KLOYD 2004/12/02 CHECKED BY: BRUSSELL 2004/12/02 APPROVED BY: RAHMOOD 2010/11/23	DRAFT WHERE APPLICABLE MUST REMAIN WITHIN DIMENSIONS		SEE CHART	MATERIAL NO.	DOCUMENT NO.	TITLE <b>XFP CAGE ASSEMBLY WITHOUT ELASTOMER EMI GASKET</b>															
MOLEX INCORPORATED			SD-74736-210	SHEET NO. 1 OF 2	THIS DRAWING CONTAINS INFORMATION THAT IS PROPRIETARY TO MOLEX INCORPORATED AND SHOULD NOT BE USED WITHOUT WRITTEN PERMISSION																



▲ FOR PCI APPLICATIONS RECOMMENDED DIMENSION IS 0.4 ±0.1



<b>ADDED NOTE PG 2</b> E.C. NO.: USY2011-0301 DRAWN BY: ERMIN 2010/06/07 CHECKED BY: CHYKCHIRSHY 2010/10/13 APPROVED BY: RMAHMOOD 2010/11/23	<b>QUALITY SYMBOLS</b> ▽=0 ▽=0	<b>GENERAL TOLERANCES (UNLESS SPECIFIED)</b>		<b>DIMENSION STYLE</b> MM ONLY	<b>SCALE</b> 3:1	<b>DESIGN UNITS</b> METRIC	THIRD ANGLE PROJECTION		
		4 PLACES ±--- ±--- 3 PLACES ±--- ±--- 2 PLACES ±0.10 ±--- 1 PLACE ±0.25 ±---	mm INCH	DRAWN BY: KLOYD DATE: 2004/12/02	CHECKED BY: BRUSSELL DATE: 2004/12/02	<b>TITLE</b> XFP CAGE ASSEMBLY WITHOUT ELASTOMER EMI GASKET			
		ANGULAR ± 1°		APPROVED BY: RMAHMOOD DATE: 2010/11/23	<b>MOLEX INCORPORATED</b>		DOCUMENT NO.: SD-74736-210		
		DRAFT WHERE APPLICABLE MUST REMAIN WITHIN DIMENSIONS		MATERIAL NO.: SEE CHART	SHEET NO.: 2 OF 2		THIS DRAWING CONTAINS INFORMATION THAT IS PROPRIETARY TO MOLEX INCORPORATED AND SHOULD NOT BE USED WITHOUT WRITTEN PERMISSION		