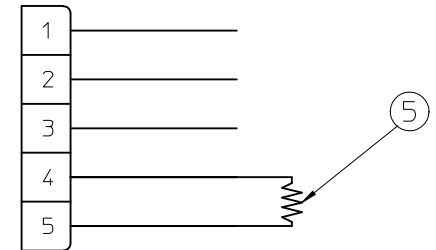
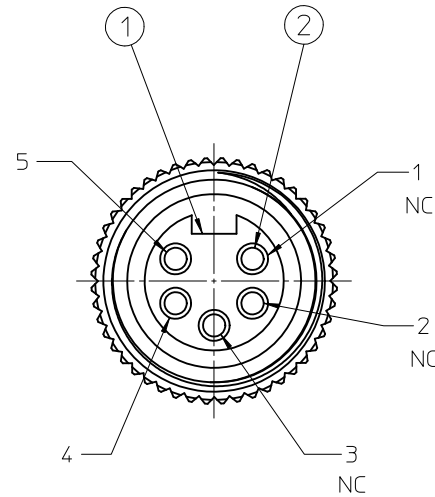
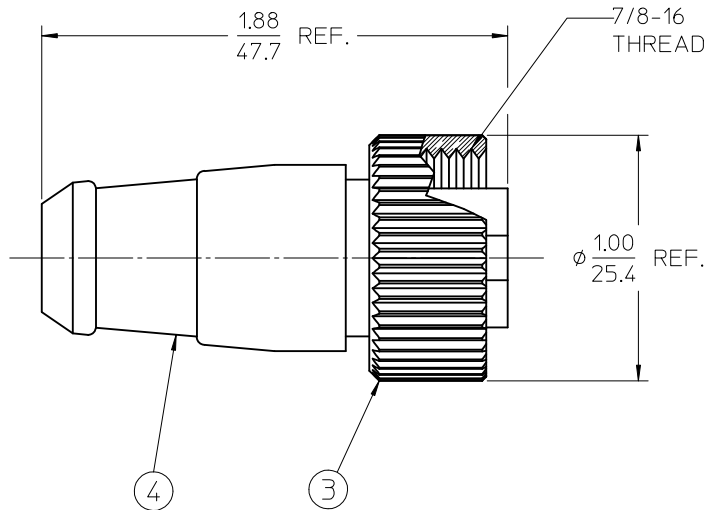
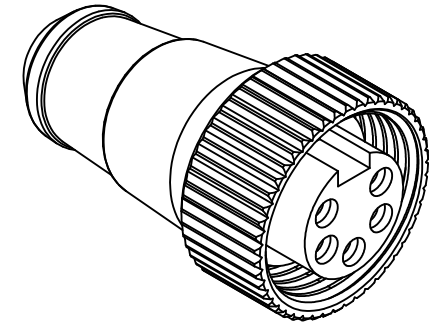


VOLTAGE RATING	50 VAC/VDC
AMPERAGE RATING	8 AMPS
PROTECTION	IP67
OPERATING TEMPERATURE	0°C TO 60°C



WIRING DIAGRAM

ITEM	COMPONENT	MATERIAL	FINISH
1	INSERT	PVC	GRAY
2	CONTACT SOCKET	COPPER ALLOY	GOLD OVER NICKEL
3	COUPLNG NUT	BRASS	NICKEL PLATED
4	OVERMOLD	PVC	GRAY
5	RESISTOR	121 OHM 1% METAL FILM 1/4 WATT	

RELEASED
 EC NO: WINA2010-0417
 DRAWN BY: DRWINRSTONE 2010/01/21
 CHECKED BY: CHYKDB:WOODMAN 2010/01/22
 APPROVED BY: JFMURPHY 2010/01/25

QUALITY SYMBOLS
 ▽=0
 ▽=0

	GENERAL TOLERANCES (UNLESS SPECIFIED)	
	mm	INCH
4 PLACES	± ---	± ---
3 PLACES	± ---	± ---
2 PLACES	± ---	± .01
1 PLACE	± 0.3	± ---
ANGULAR ±1/2°		

DRAFT WHERE APPLICABLE
 MUST REMAIN WITHIN DIMENSIONS

DIMENSION STYLE
IN/MM

DRAWN BY: R.STONE DATE: 2010/01/15
 CHECKED BY: B.WOODMAN DATE: 2010/01/18
 APPROVED BY: JFMURPHY DATE: 2010/01/22

MATERIAL NO.
848569109

SCALE: 2:1
 DESIGN UNITS: INCH
 THIRD ANGLE PROJECTION

TITLE: **TERMINATION RESISTOR MC 5P, FEMALE**

MOLEX INCORPORATED

DOCUMENT NO.: **SD-84856-016**

SHEET NO.: 1 OF 1

THIS DRAWING CONTAINS INFORMATION THAT IS PROPRIETARY TO MOLEX INCORPORATED AND SHOULD NOT BE USED WITHOUT WRITTEN PERMISSION