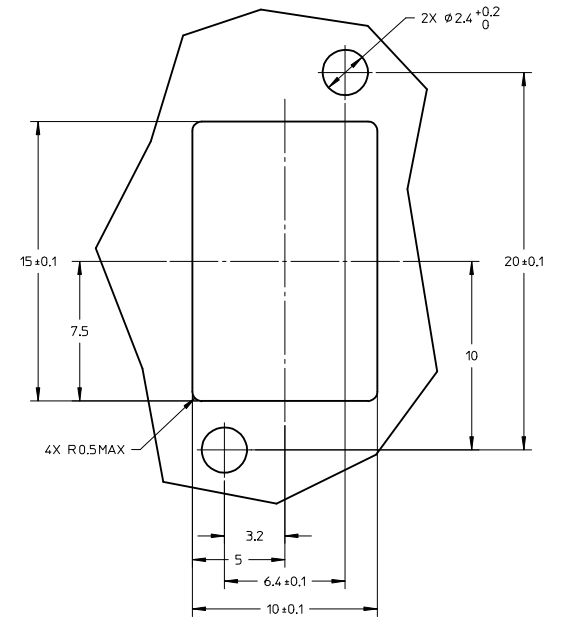
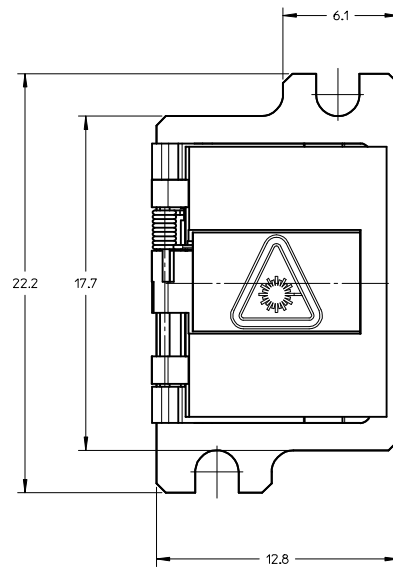
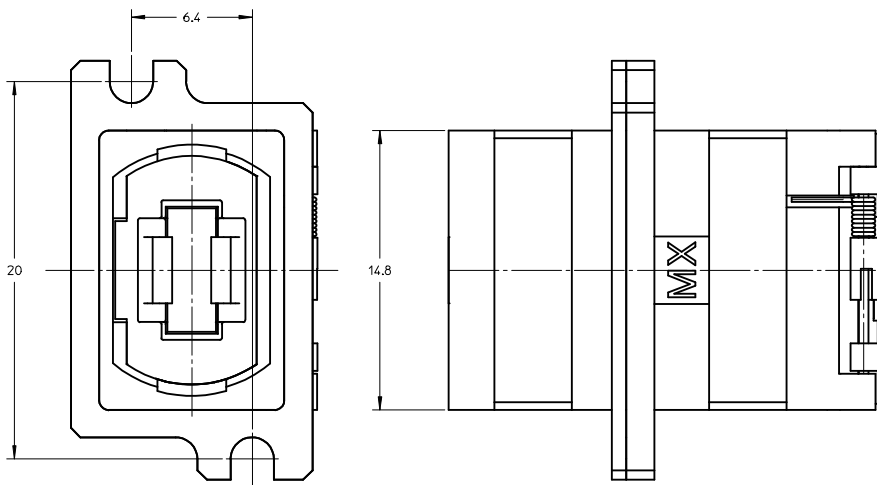
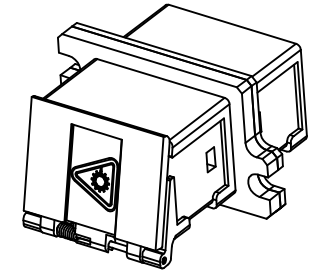
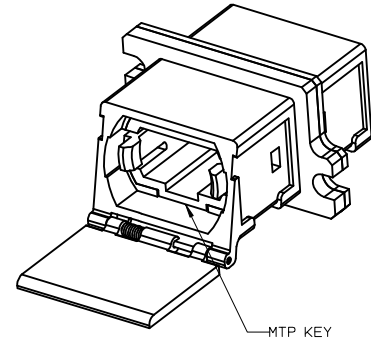
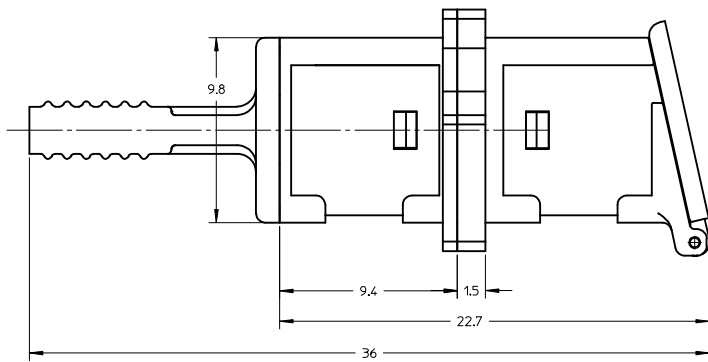


RECOMMENDED MOUNTING PATTERN

NOTES:

- 1. ALL DIMENSIONS ARE FOR REFERENCE ONLY.
- 2. DUST CAP SHOWN IN TOP VIEW ONLY.
- 3. ADAPTERS TO BE PACKAGED IN TRAY.

ENTER DESCRIPTION EC NO: MF2015-0579 DRW/MAGHAYERE 2015/04/14 CHKD: APPR: IGJMIN 2015/04/21	QUALITY SYMBOLS	GENERAL TOLERANCES (UNLESS SPECIFIED)		DIMENSION STYLE	SCALE	DESIGN UNITS	THIRD ANGLE PROJECTION
	▽=0	mm	INCH	MM ONLY	5:1	METRIC	
	▽=0	4 PLACES ± ---	± ---	DRAWN BY	DATE	TITLE	
	▽=0	3 PLACES ± ---	± ---	SMIGO	2013/03/12	MPO EMI ADAPTER MT TO MPO CONNECTION STAGGERED FLANGE	
		2 PLACES ± ---	± ---	CHECKED BY	DATE	molex DOCUMENT NO. SD-106114-1160 SHEET NO. 1 OF 1	
		1 PLACE ± ---	± ---	VCHEN	2012/03/12		
		0 PLACE ± ---	± ---	APPROVED BY	DATE		
				WCHEN	2013/08/01		
		ANGULAR ±1/2°		MATERIAL NO.			
		DRAFT WHERE APPLICABLE MUST REMAIN WITHIN DIMENSIONS		1061141160			
				SIZE	THIS DRAWING CONTAINS INFORMATION THAT IS PROPRIETARY TO MOLEX INCORPORATED AND SHOULD NOT BE USED WITHOUT WRITTEN PERMISSION		
A3	REV			C			



RECOMMENDED MOUNTING PATTERN

NOTES:

- 1. ALL DIMENSIONS ARE FOR REFERENCE ONLY.
- 2. DUST CAP SHOWN IN TOP VIEW ONLY.
- 3. ADAPTERS TO BE PACKAGED IN TRAY.

ENTER DESCRIPTION EC NO: MF2015-0579 DRAWN: MGHAYERE 2015/04/14 CHKD: APPR: IGJMIN 2015/04/21	QUALITY SYMBOLS	GENERAL TOLERANCES (UNLESS SPECIFIED)		DIMENSION STYLE MM ONLY		SCALE 5:1	DESIGN UNITS METRIC	THIRD ANGLE PROJECTION	
	▽=0	4 PLACES ±	mm	INCH	DRAWN BY SMIGO	DATE 2013/03/12	TITLE MPO EMI ADAPTER MT TO MPO CONNECTION STAGGERED FLANGE molex DOCUMENT NO. SD-106114-1160 SHEET NO. 1 OF 1		
	▽=0	3 PLACES ±			CHECKED BY VCHEN	DATE 2012/03/12			
	▽=0	2 PLACES ±			APPROVED BY WCHEN	DATE 2013/08/01			
	1 PLACE ±			MATERIAL NO. 1061141160					
REV		0 PLACE ±			ANGULAR ±1/2°				
A3		DRAFT WHERE APPLICABLE MUST REMAIN WITHIN DIMENSIONS		SIZE C		THIS DRAWING CONTAINS INFORMATION THAT IS PROPRIETARY TO MOLEX INCORPORATED AND SHOULD NOT BE USED WITHOUT WRITTEN PERMISSION			