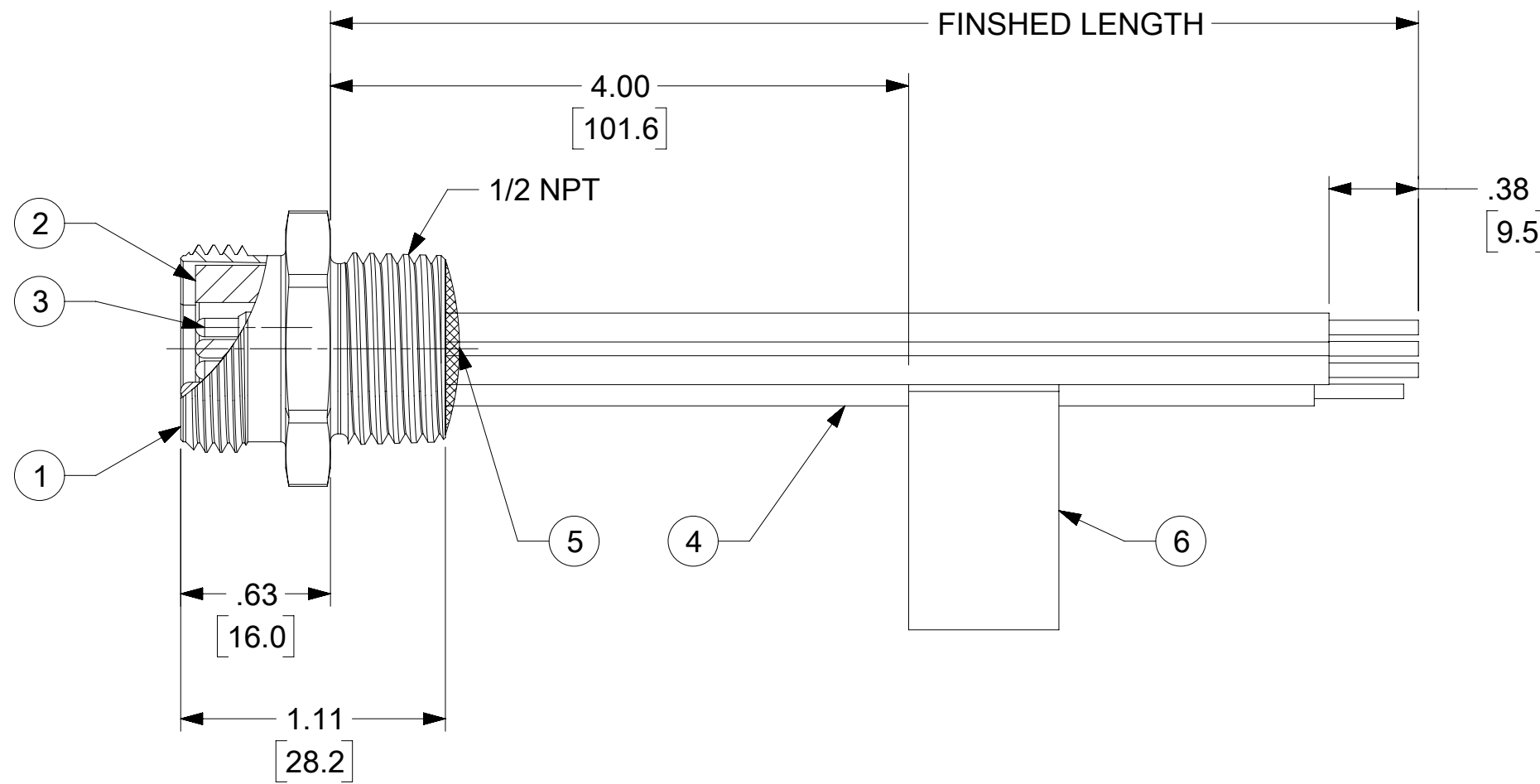
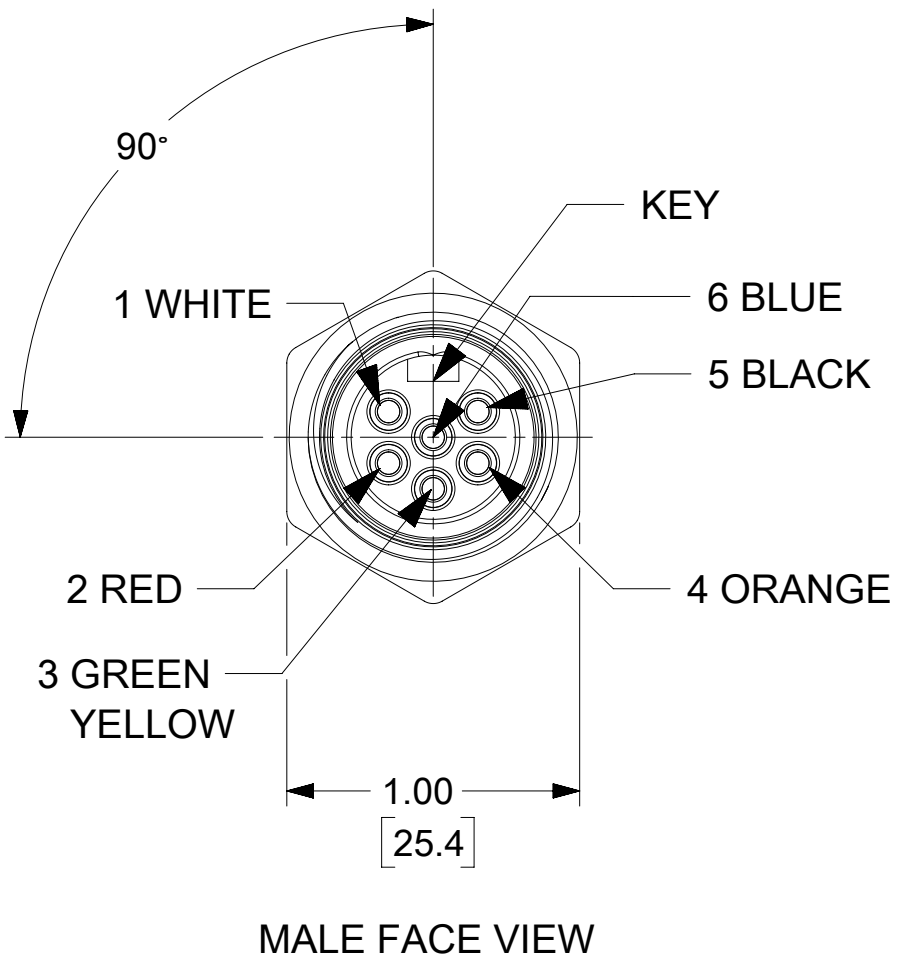
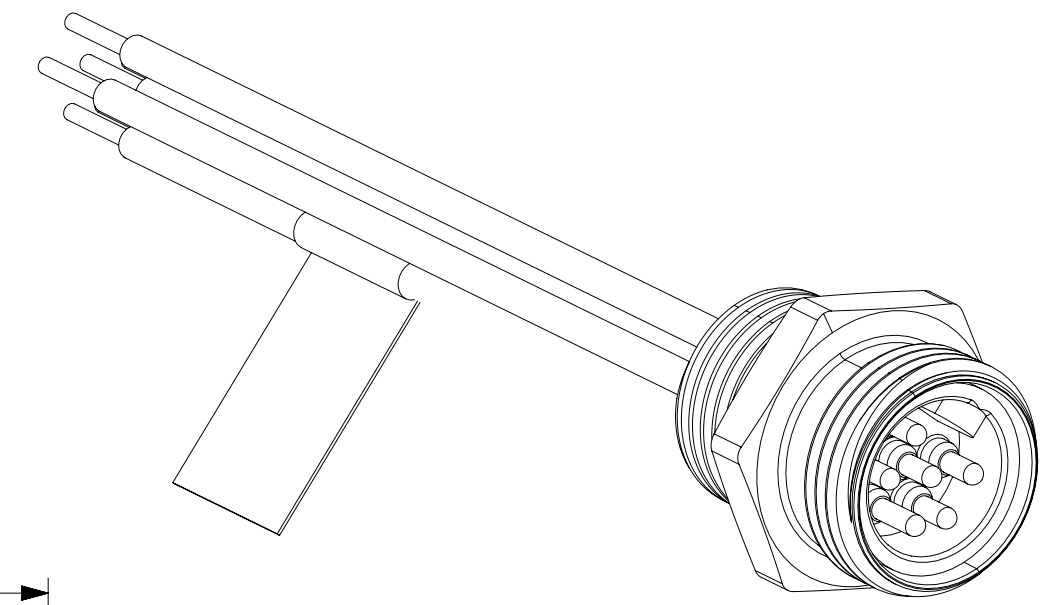
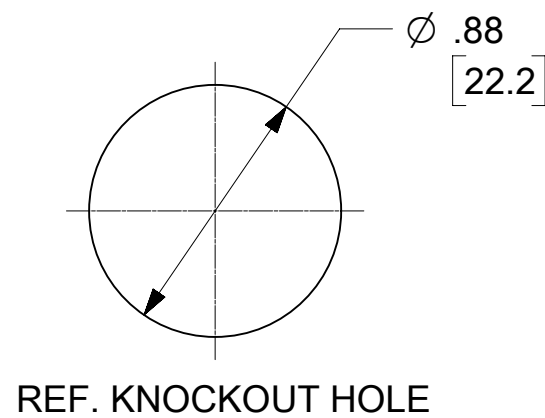


PART NO.	ENGINEERING NO.	FINISHED LENGTH
1300130593	1R6006A20A120	12 IN (0.30M)
1300130603	1R6006A20F030	3 FT (0.90M)
1300130017	1R6006A20M020	2M (6 FT, 7 IN)

CABLE LENGTH TOLERANCES
 <.3M [1FT]: +19mm-0 [+.75in-0]
 .3 - .9M [1 - 3FT]: +44.5mm-0 [+1.75in-0]
 .9 - 1.8M [3 - 6FT]: +55.6mm-0 [+2.19in-0]
 1.8 - 3.7M [6 - 12FT]: +88.9mm-0 [+3.50in-0]
 3.7 - 7.3M [12 - 24FT]: +165.1mm-0 [+6.50in-0]
 7.3-14.6M [24 - 48FT]: +317.5mm-0 [+12.50in-0]
 14.6 - 30.5M [48-100FT]: +622.3mm-0 [+24.50in-0]
 OVER 30M [100FT] +2% OF FINISHED LENGTH



- NOTES:
1. MATERIAL: AS NOTED
 2. FINISH: AS NOTED
 3. ELECTRICAL:
 VOLTAGE: 400V PER IEC60664
 600V PER UL2238
 CURRENT: 8A
 4. TEMP RATING: -20°C TO +105°C
 5. PROTECTION: IP67 (WHEN MATED)
 6. COUPLING THREAD: 7/8-16 UN
 7. UL RECOGNIZED FILE: E152210
 CSA CERTIFIED: LR6837
 8. ALL DIMS ARE FOR REFERENCE UNLESS TOLERANCED OR NOTED OTHERWISE



PART NUMBER LEGEND

1R6006A20A120

LENGTH
 A060 = 6 IN
 A120 = 12 IN
 F060 = 6.0 FT
 M003 = 0.3 METERS
 M010 = 1.0 METERS
 M100 = 10.0 METERS

ITEM	DESCRIPTION	MATERIAL	FINISH
6	FLAG LABEL	VINYL	BLACK/YELLOW
5	POTTING MATERIAL	EPOXY	
4	WIRE #16 (UL 1015)	PVC INSULATION	SEE FACE VIEW
3	CONTACT PIN	Cu ALLOY	GOLD PLATED
2	INSERT	TPE	YELLOW
1	RECEPTACLE SHELL	ZINC (DIE-CAST)	BLACK E-COAT

FUNCTIONAL SYMBOLS	THIS DRAWING CONTAINS INFORMATION THAT IS PROPRIETARY TO MOLEX ELECTRONIC TECHNOLOGIES, LLC AND SHOULD NOT BE USED WITHOUT WRITTEN PERMISSION		CURRENT REV DESC:	
FA = 0	DIMENSION UNITS	SCALE		
FC = 0	INCH/MM	1:1		
FP = 0	GENERAL TOLERANCES (UNLESS SPECIFIED)			
		MM	INCH	
	4 PLACES	±	±	
	3 PLACES	±	±	
	2 PLACES	±	±	
	1 PLACE	±	±	
	0 PLACES	±	±	
	ANGULAR TOL	±	°	
	DRAFT WHERE APPLICABLE MUST REMAIN WITHIN DIMENSIONS	THIRD ANGLE PROJECTION		
		DRAWING	SERIES	
		C-SIZE	130013	
		MATERIAL NUMBER		CUSTOMER
		SEE P/N LEGEND		GENERAL MARKET
		DOCUMENT NUMBER		DOC TYPE DOC PART REVISION
		1300130017		PSD 000 A
		SHEET NUMBER		1 OF 1