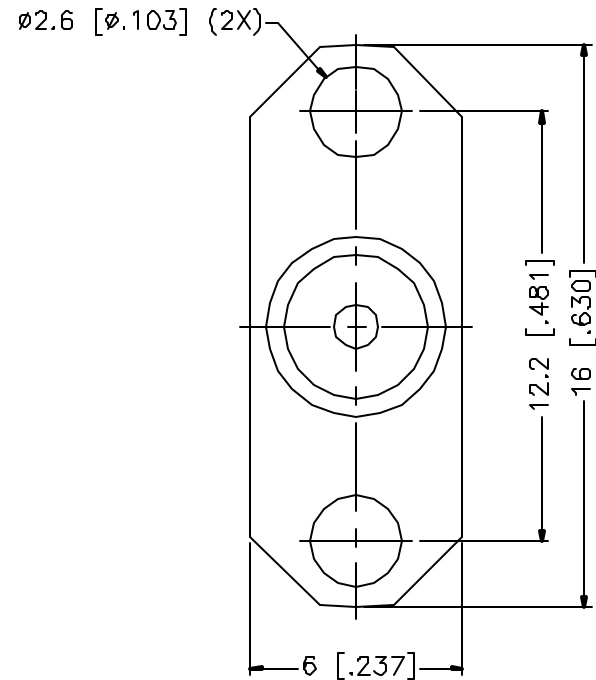
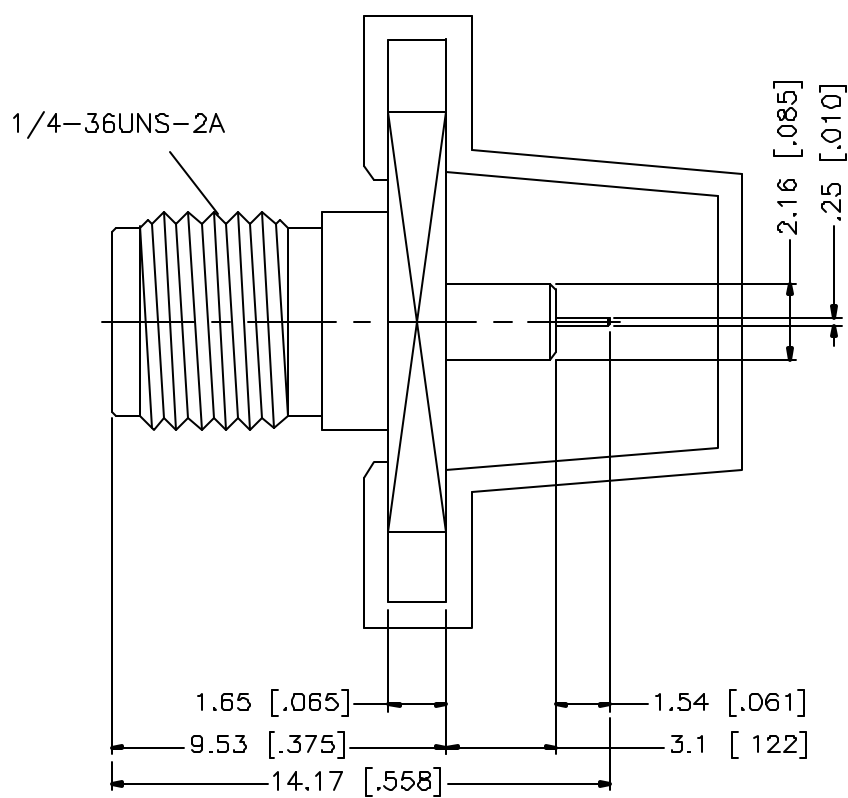



REV.	DATE	DESCRIPTION
NC	01/14/01	INITIAL RELEASE



DESCRIPTION	MATERIAL	FINISH	UNLESS OTHERWISE SPECIFIED DIMENSIONS ARE IN MILLIMETERS	APPROVALS	DATE					
1 BODY	BRASS	GOLD	DIMENSIONS IN [ ] ARE IN INCHES FOR CUSTOMER REFERENCE ONLY  UNLESS OTHERWISE SPECIFIED TOLERANCES FOR MILLIMETERS ARE: 0.5-6 = ± 0.2 6-30 = ± 0.4 30-120 = ± 0.6 120-315 = ± 1 315-1000 = ± 1.6 1000-2000 = ± 2.4	DRAWN G.R.S.	01/14/01	TITLE SMA 2 HOLE PANEL RECEPTACLE JACK				
2 INSULATOR	TEFLON	NATURAL		CHECKED			SIZE A	FSCM NO 99001	DWG. NO. 132224.DWG	REV NC
3 CONTACT PIN	BER. COPPER	GOLD		ISSUED			SCALE NA	PART NO 132224	SHEET 1 OF 1	
4 COVER	PE	NATURAL								
5										
6										
7										
8				DO NOT SCALE DRAWING						