

Patch cable - VS-FSDB-IP20SDA/981/2,0 SCO - 1420171

Please be informed that the data shown in this PDF Document is generated from our Online Catalog. Please find the complete data in the user's documentation. Our General Terms of Use for Downloads are valid (<http://phoenixcontact.com/download>)



Assembled USB cable, shielded, color: black, PVC outer sheath, USB mini-B/IP20 on USB type A/IP20, length: 2 m

RoHS

Key Commercial Data

Packing unit	1 pc
GTIN	
GTIN	4046356548601

Technical data

Mechanical characteristics

Number of positions	4
Shielded	yes
Insertion/withdrawal cycles	≥ 100
Cable structure	2x2xAWG26/7 + 2xAWG20/19; S/FTP
Length of cable	2 m
Degree of protection	IP20

Ambient conditions

Ambient temperature (operation)	-25 °C ... 80 °C (cable, flexible installation)
Degree of protection	IP20 (USB type A)
	IP65 (M12 mini B)

Material data

Flammability rating according to UL 94	V0
Contact material	Cu alloy
Contact surface material	Ni/Au
Outer sheath, material	PVC
External sheath, color	black

Patch cable - VS-FSDB-IP20SDA/981/2,0 SCO - 1420171

Technical data

Electrical characteristics

Transmission characteristics (category)	USB 2.0
---	---------

Pin assignment

Contact Color (signal designation) Contact (optional)	1 (M12 mini B) RD (+5 V) 1 (USB type A)
	2 (M12 mini B) WH (DATA-) 2 (USB type A)
	3 (M12 mini B) GN (DATA+) 3 (USB type A)
	4 (M12 mini B) N.C.
	5 (M12 mini B) BK (GND) 4 (USB type A)

Standards and Regulations

Flammability rating according to UL 94	V0
--	----

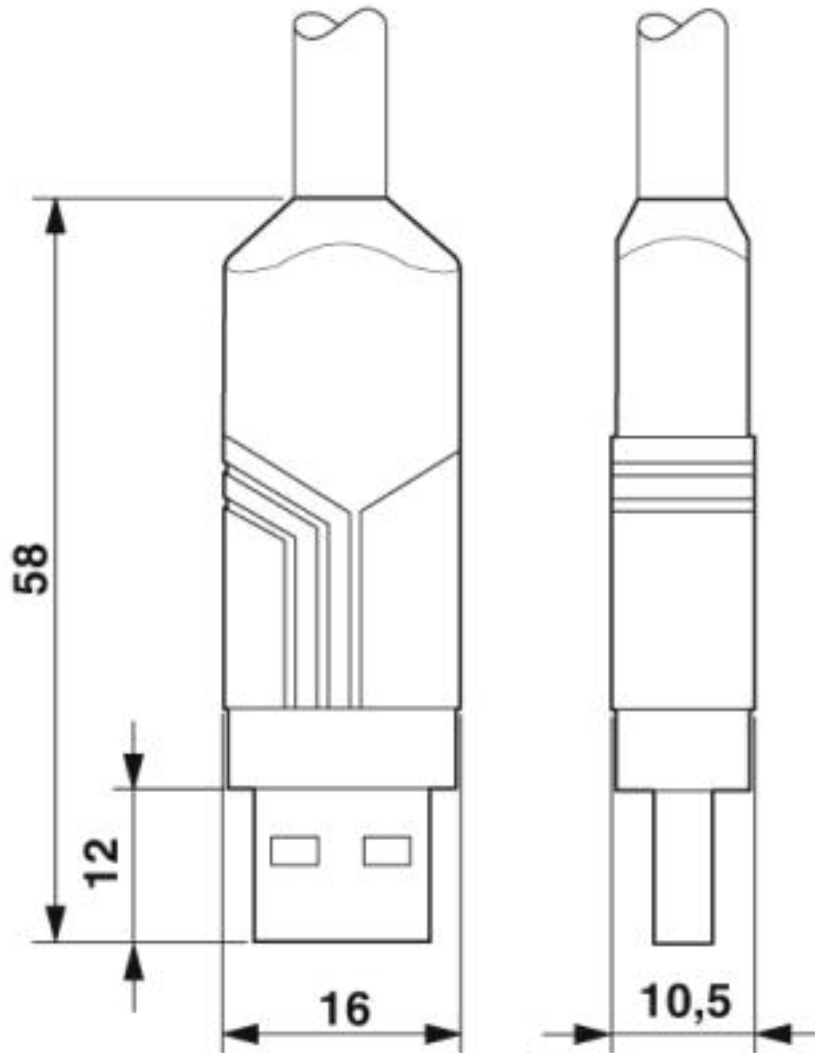
Environmental Product Compliance

China RoHS	Environmentally friendly use period: unlimited = EFUP-e
	No hazardous substances above threshold values

Drawings

Patch cable - VS-FSDB-IP20SDA/981/2,0 SCO - 1420171

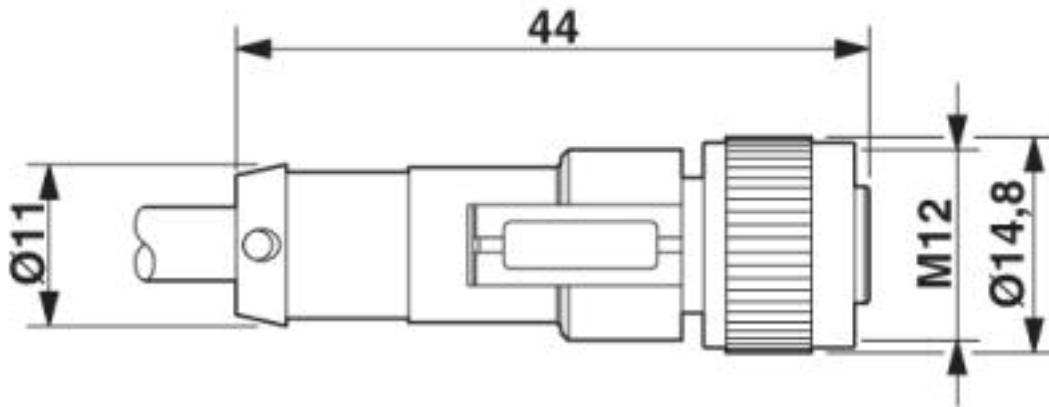
Dimensional drawing



USB connector, type A, Standard

Patch cable - VS-FSDB-IP20SDA/981/2,0 SCO - 1420171

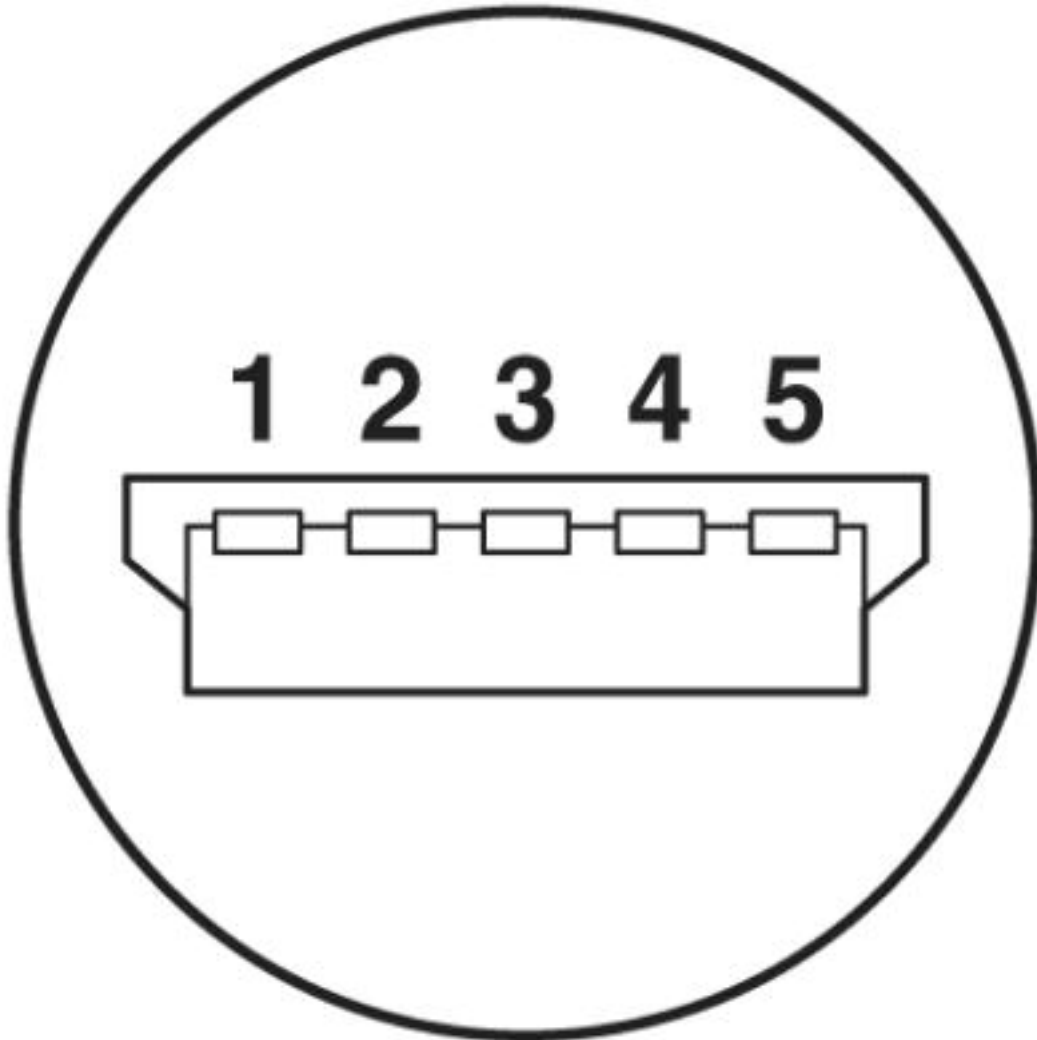
Dimensional drawing



Mini USB, M12 x 1 socket, straight

Patch cable - VS-FSDB-IP20SDA/981/2,0 SCO - 1420171

Schematic diagram



Pin assignment plug USB, mini B

Approvals

Approvals

Approvals

EAC

Ex Approvals

Approval details

Patch cable - VS-FSDB-IP20SDA/981/2,0 SCO - 1420171

Approvals

EAC		EAC-Zulassung
-----	---	---------------

Phoenix Contact 2019 © - all rights reserved
<http://www.phoenixcontact.com>

PHOENIX CONTACT GmbH & Co. KG
Flachsmarktstr. 8
32825 Blomberg
Germany
Tel. +49 5235 300
Fax +49 5235 3 41200
<http://www.phoenixcontact.com>