



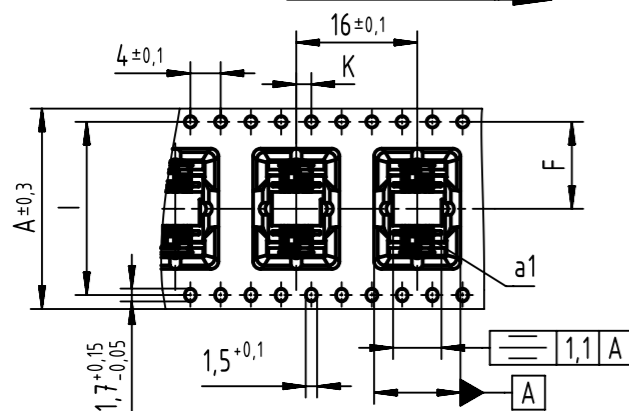
har-flex[®] straight female power connector



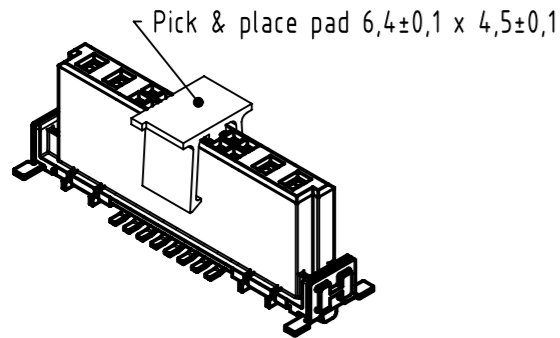
TAPE LAYOUT & PACKAGING

Tape acc. to IEC 60286-3

Reel off direction X



Tape dimensions:	A	F	I	K
poles 2P+8S	32,0	14,2±0,10	28,4	2±0,1
poles 4P+16S	44,0	20,2±0,10	40,4	2±0,15
poles 6P+26S	56,0	26,2±0,10	52,4	2±0,15
poles 8P+36S	72,0	34,2±0,30	68,40	2±0,20

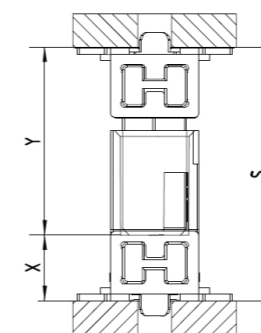


Packaging indices ("XXX" in part number)			
Index	Stacking height	Packaging unit	Packaging
000	9,05mm	280	Tape&reel
333	All	1	Tape

APPLICATION INFORMATION

S	15mm	
	14mm	
	13mm	
	12mm	
	11mm	
	10mm	
	9mm	
	8mm	
X&Y	stacking heights	male 3.25mm female 9.05mm
S	PCB distance	12.3mm- 13.8mm
	part numbers	1552... 1562...

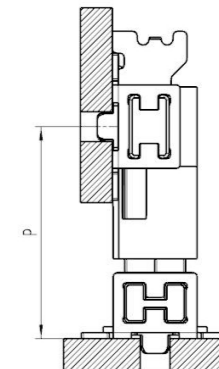
Straight female



Straight male

3,25	9,05	12,3	13,8
X	Y	Smin	* Smax

Angled male

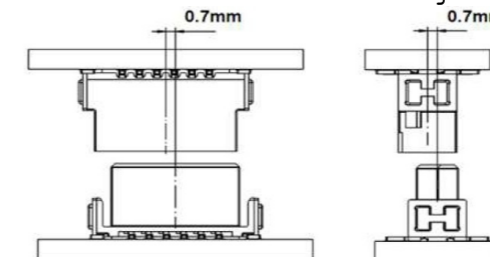


Straight female

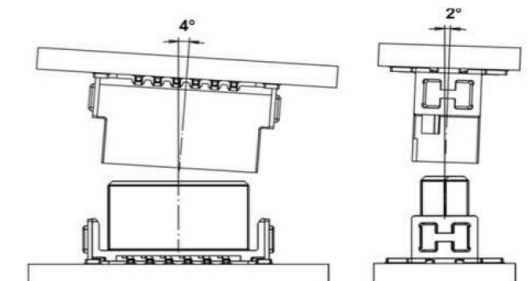
9,05	10,70
Y	P min.

*Smax = Smin +1.5 wiping length with additional contact overlap security

Admissible mismatching

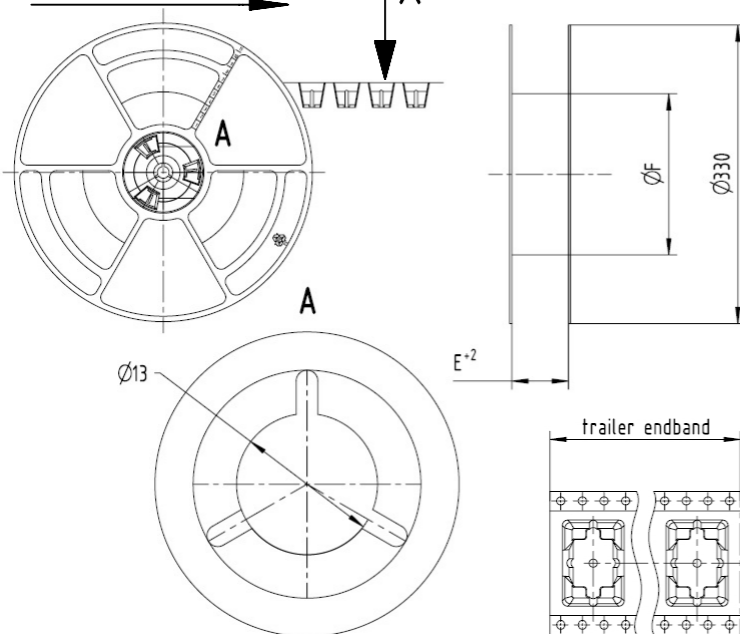


Admissible inclination



REEL DIMENSIONS

Reel off direction X



Reel dimensions:	E	F
Poles 2P+8S	32,4	178mm for stacking height 3,25mm
Poles 4P+16S	44,4	
Poles 6P+26S	56,0	
Poles 8P+36S	72,0	



All Dimensions in mm
Original Size DIN A3

Scale
1:1

Free size tol.

Ref.

Sub.



All rights reserved

Department EL PD

Created by
CHENSK

Inspected by
WANGSTE

Standardisation
302077

Date
2020-11-02

State
Final Release

Title
Har-flex hybrid female conn SMT 9.05mm

Doc-Key / ECM-Nr.
100779943/UGD/001/B
500000182171

HARTING Electronics GmbH

D-32339 Espelkamp

Type
TB

Number
1582XXXX601XXX

Rev.
B

Page
2/2