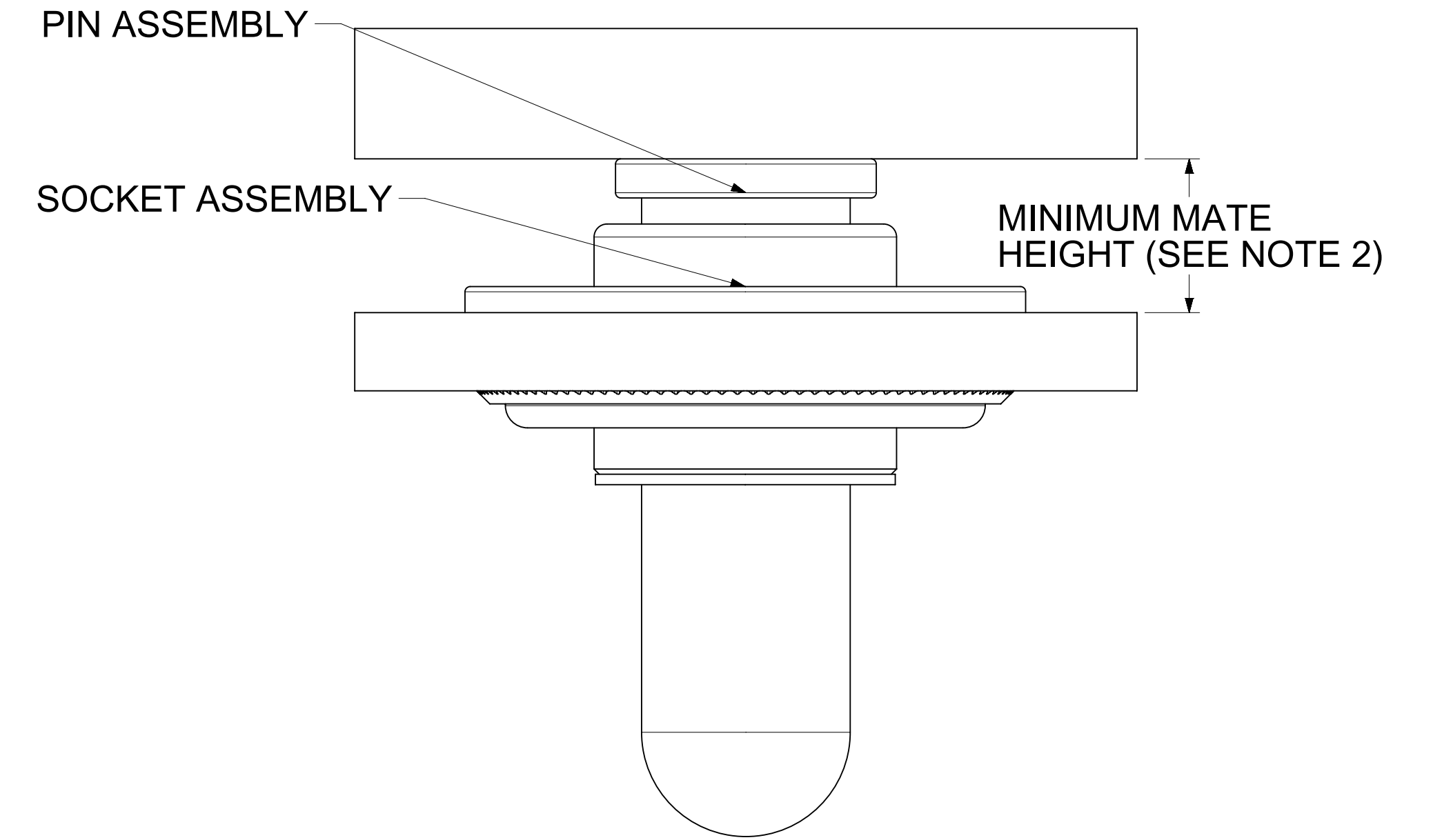
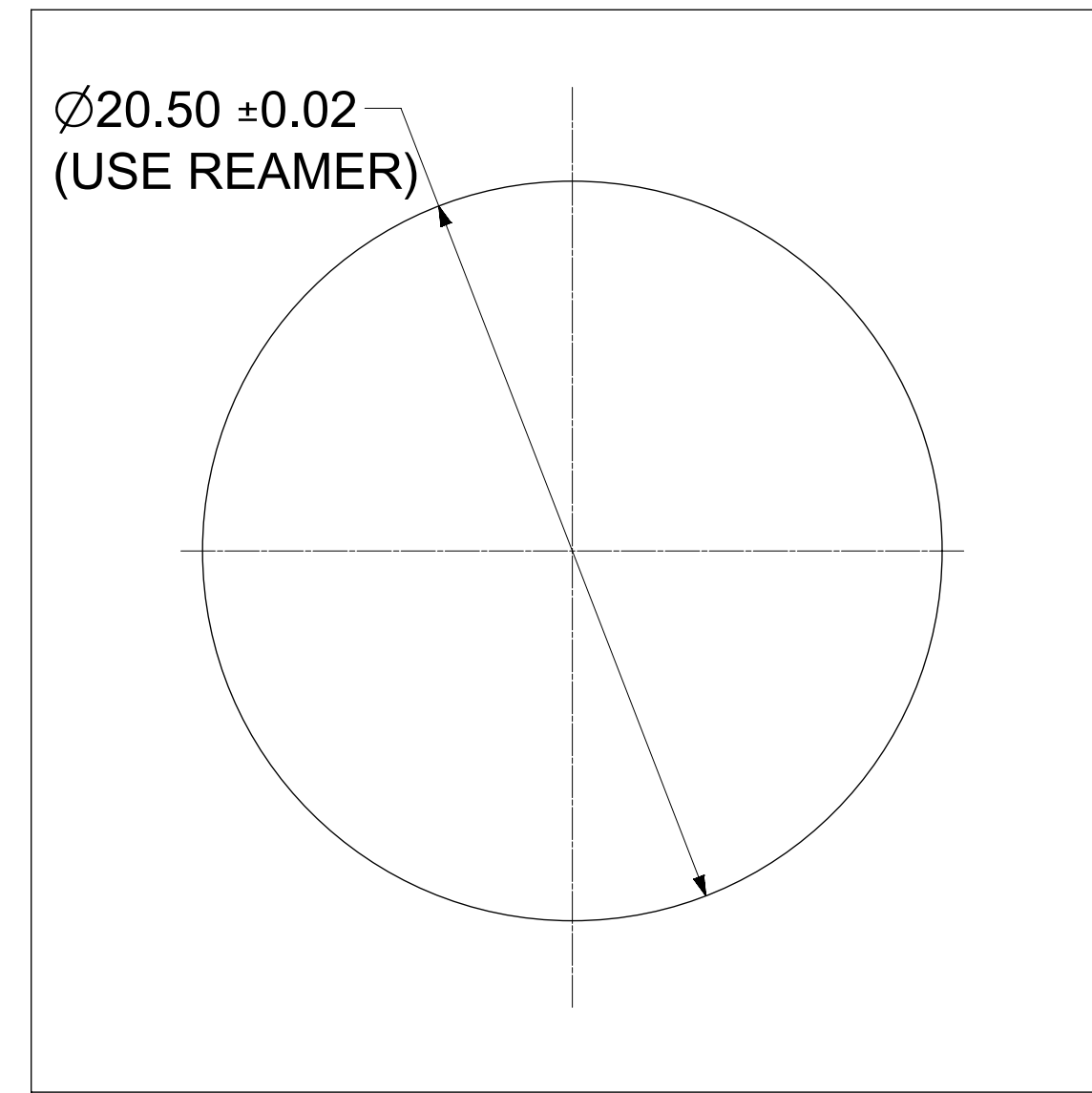
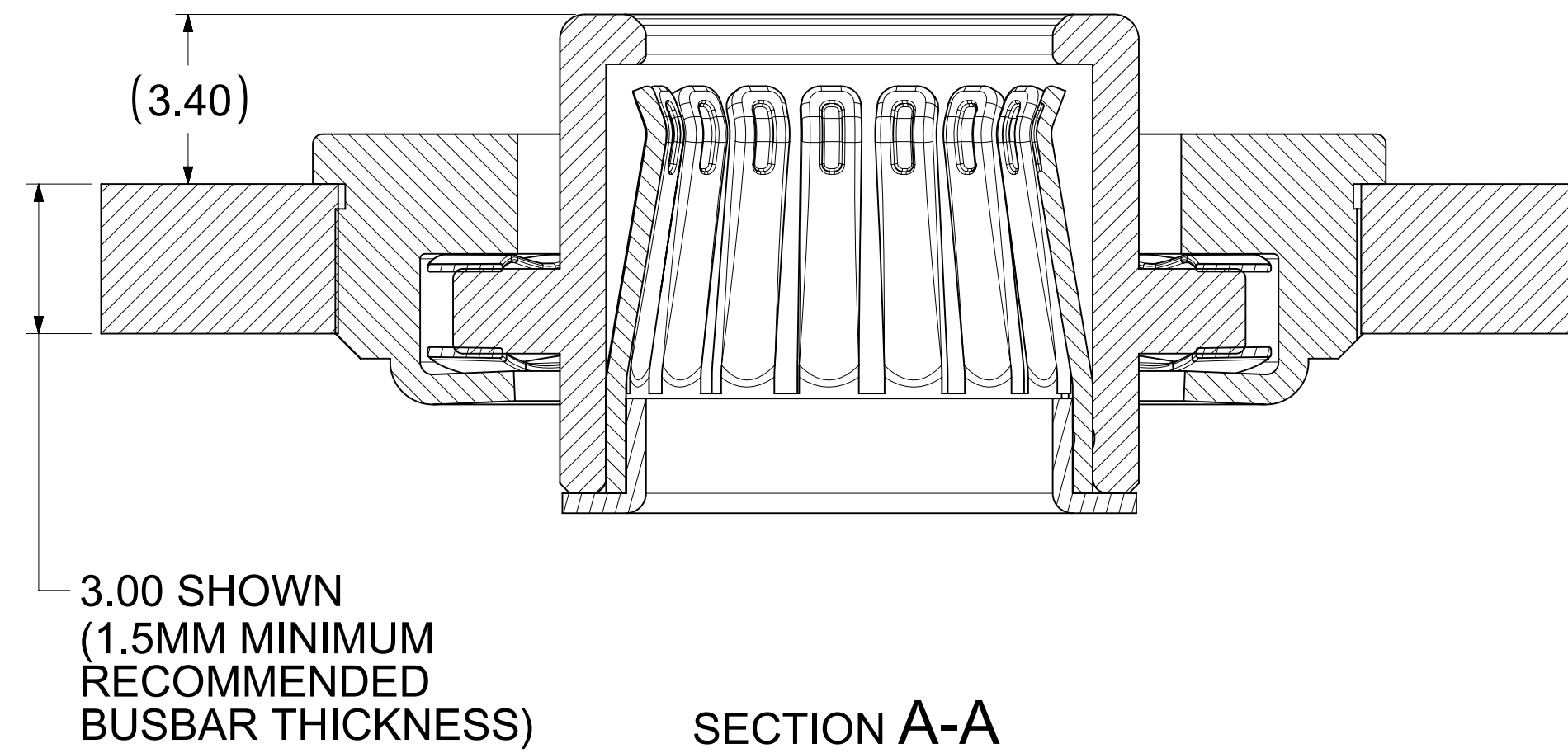
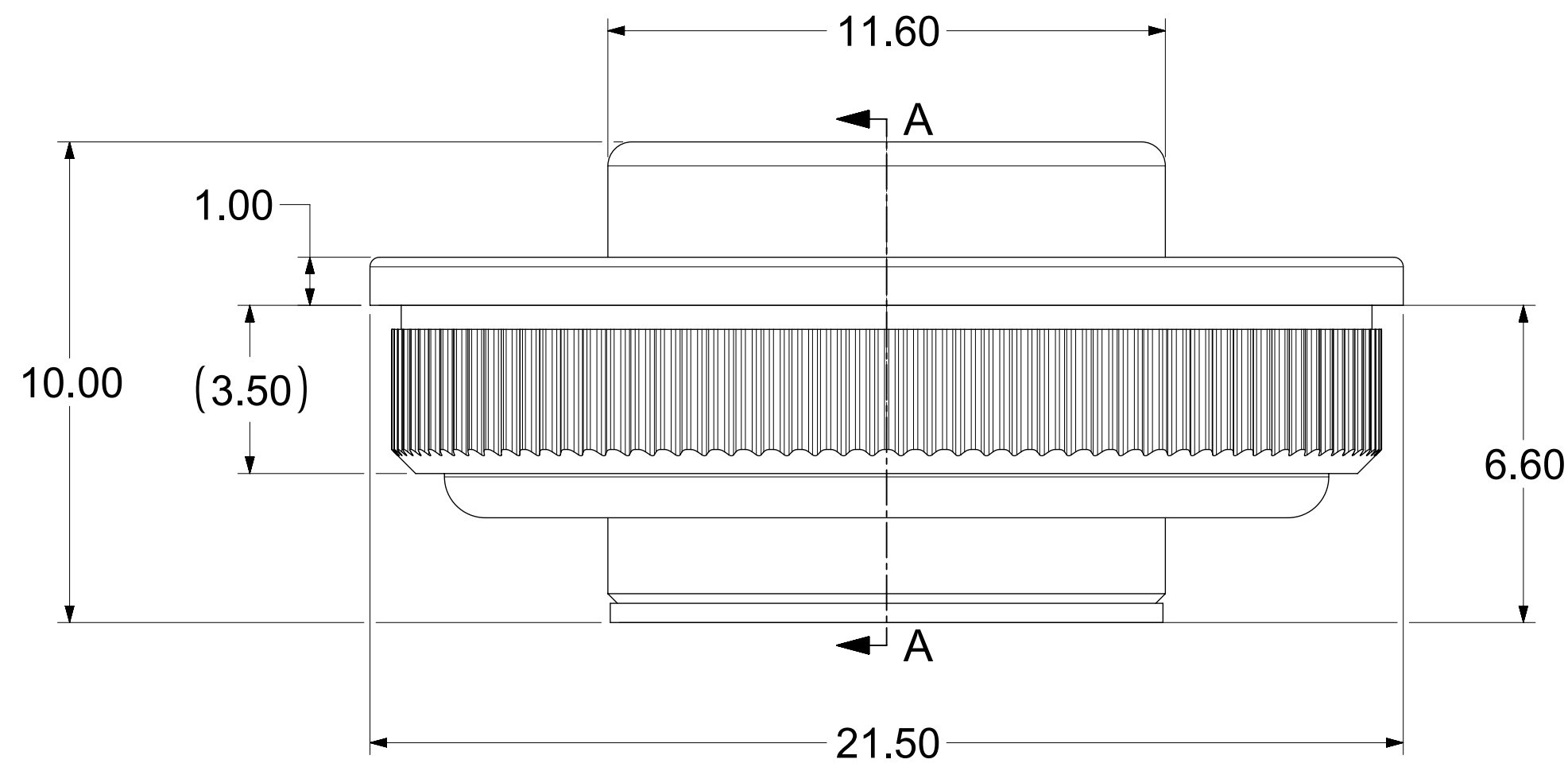


# RECOMMENDED DRILL(ON BUSBAR)



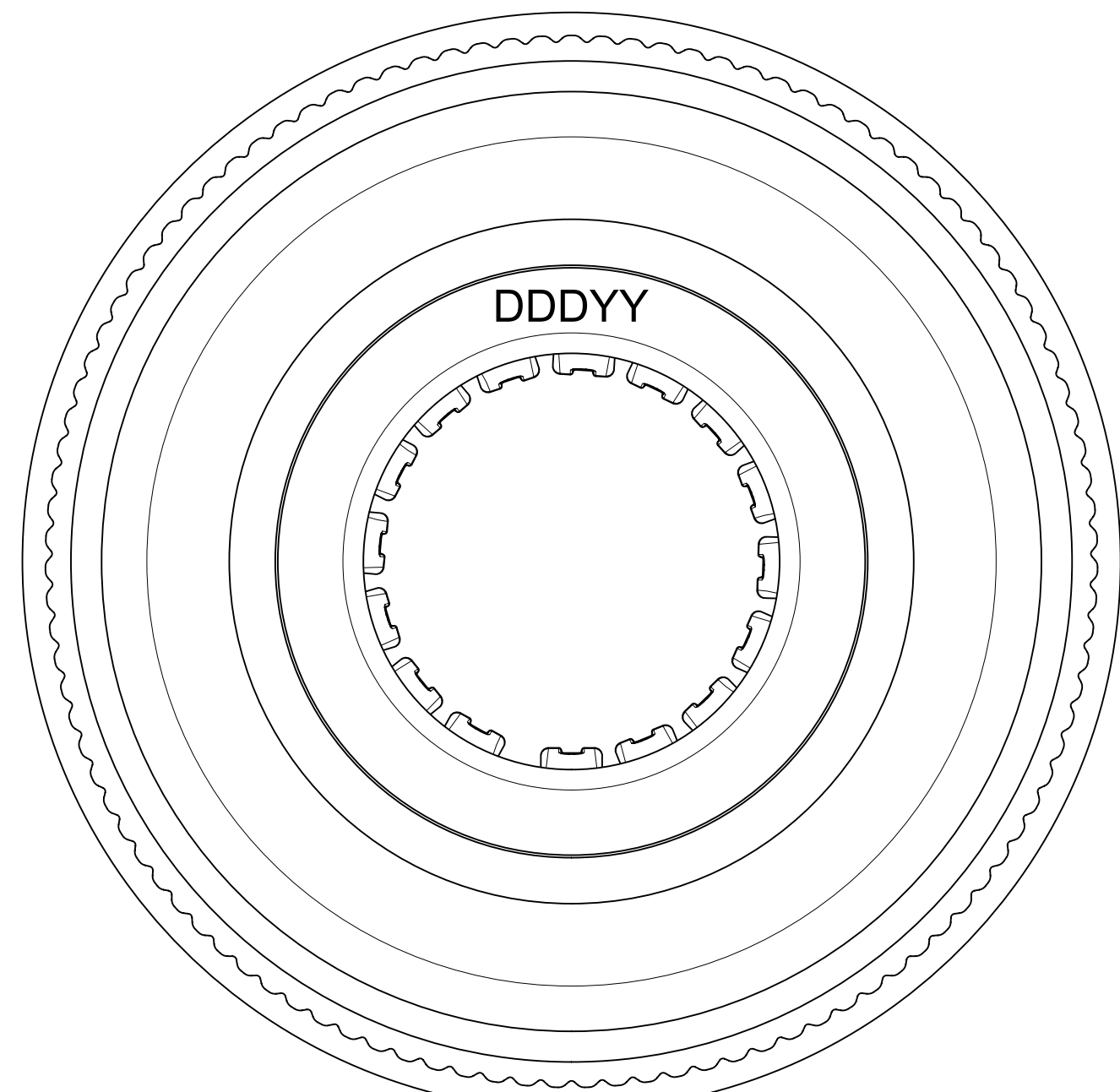
# MATING PROFILE



# SECTION A-A

# NOTES:

- MATERIALS:  
BASE METAL: HIGH CONDUCTIVE COPPER ALLOY  
RETENTION CAP: STAINLESS STEEL  
PLATING ON CONTACTS: 0.75 MICRON MIN GOLD OVER 1.27 MICRON MIN NICKEL  
PLATING ON BODY: 3.18 MICRON MIN SILVER OVER 1.27 MICRON MIN NICKEL
- MATES WITH STANDARD PIN DRAWINGS:
  - 8.0MM SMT DRAWING 2032633080-SD, MIN. MATING DISTANCE 5.55MM
  - 8.0MM PRESS FIT DRAWING 2032630001-SD, MIN. MATING DISTANCE 5.9MM
  - 8.0MM SCREW MOUNT DRAWING 2032634185-SD, MIN. MATING DISTANCE 8.9MM
- PRODUCT SPECIFICATION: 2043130001-PS
- APPLICATION SPECIFICATION: 2043130001-AS
- PACKAGING SPECIFICATION: 2043650010-PK
- SILVER COMPONENTS WILL BE SUPPLIED TARNISH FREE BUT MAY TARNISH OVER TIME.
- DATE CODE TO BE LASER MARKED APPROXIMATELY WHERE SHOWN USING DDDYY FORMAT



THIS DRAWING CONTAINS INFORMATION THAT IS PROPRIETARY TO MOLEX ELECTRONIC TECHNOLOGIES, LLC AND SHOULD NOT BE USED WITHOUT WRITTEN PERMISSION									
DIMENSION UNITS	SCALE	CURRENT REV DESC: UPDATED PCB/BUSBAR HOLE DIMENSION.							
mm	NTS	<p><b>molex</b></p> <p>8.0MM CENTRALITY TOP ENTRY PRESS FIT SOCKET WITH FLOAT IN TRAY</p> <p>PRODUCT CUSTOMER DRAWING</p>							
GENERAL TOLERANCES (UNLESS SPECIFIED)									
ANGULAR TOL	± 0.5°								
4 PLACES	±								
3 PLACES	±								
2 PLACES	± 0.15	EC NO: 749375	2023/05/12		DOCUMENT NUMBER		DOC TYPE	DOC PART	REVISION
1 PLACE	± 0.25	DRWN: SOURAJ	2023/05/12		2043130010-SD		PSD	000	B2
0 PLACES	±	CHK'D: SCS02	2023/05/12		MATERIAL NUMBER		CUSTOMER		
DRAFT WHERE APPLICABLE MUST REMAIN WITHIN DIMENSIONS		APPR: HTHYAGARAJ	2023/05/15		2043130010		GENERAL MARKET		
THIRD ANGLE PROJECTION		INITIAL REVISION:	2017/07/31		SERIES		SHEET NUMBER		
D-DRAWING		DRWN: JJONIAK	2018/06/14		D-SIZE		1 OF 1		
D-DRAWING		APPR: JJONIAK	2018/06/14		204313		1 OF 1		