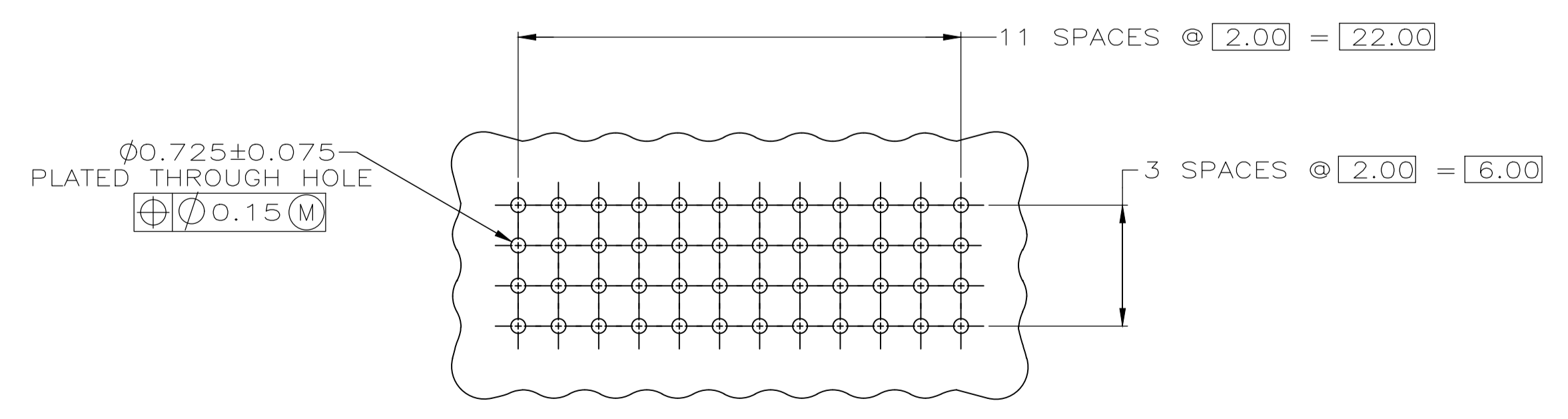
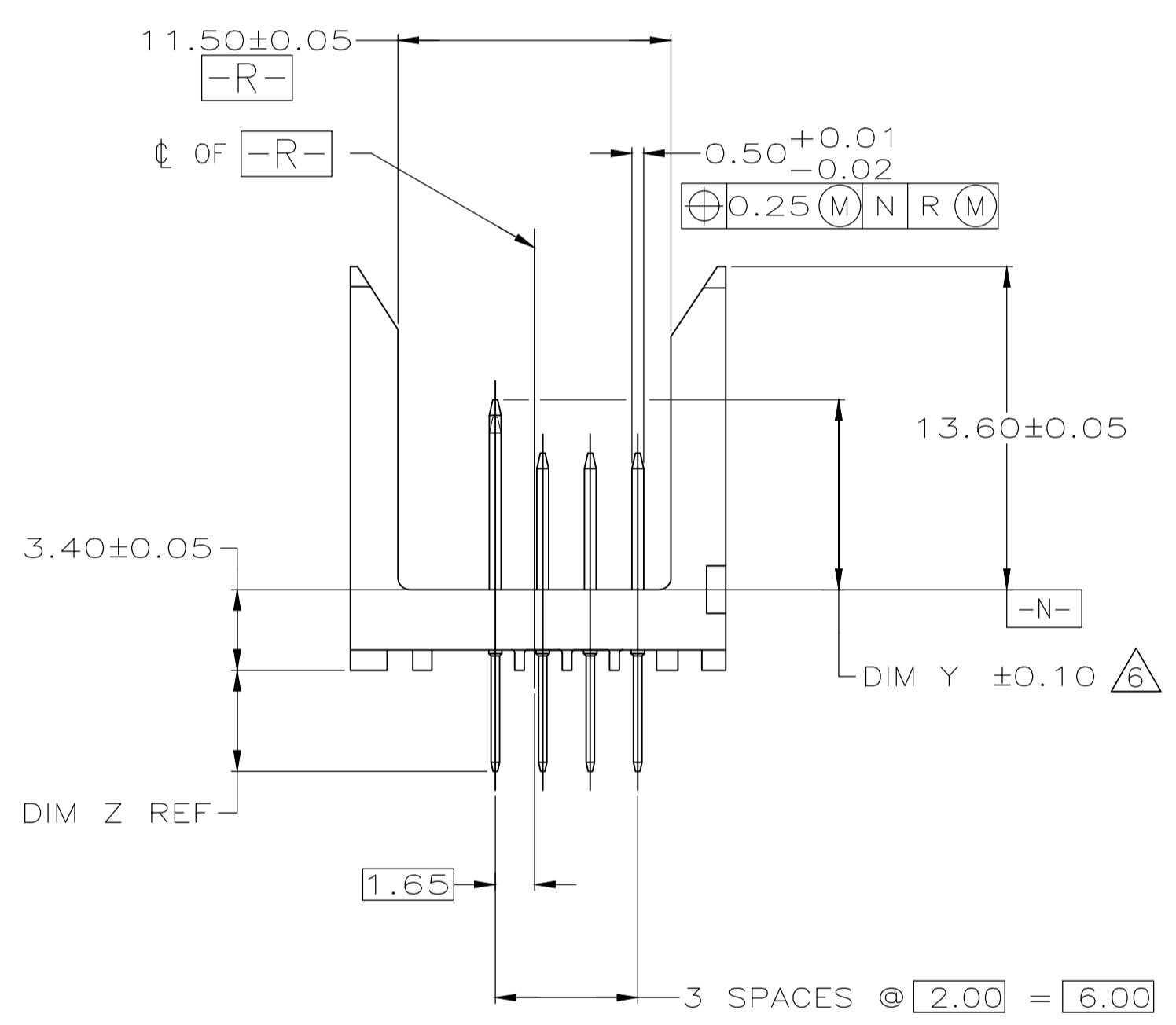
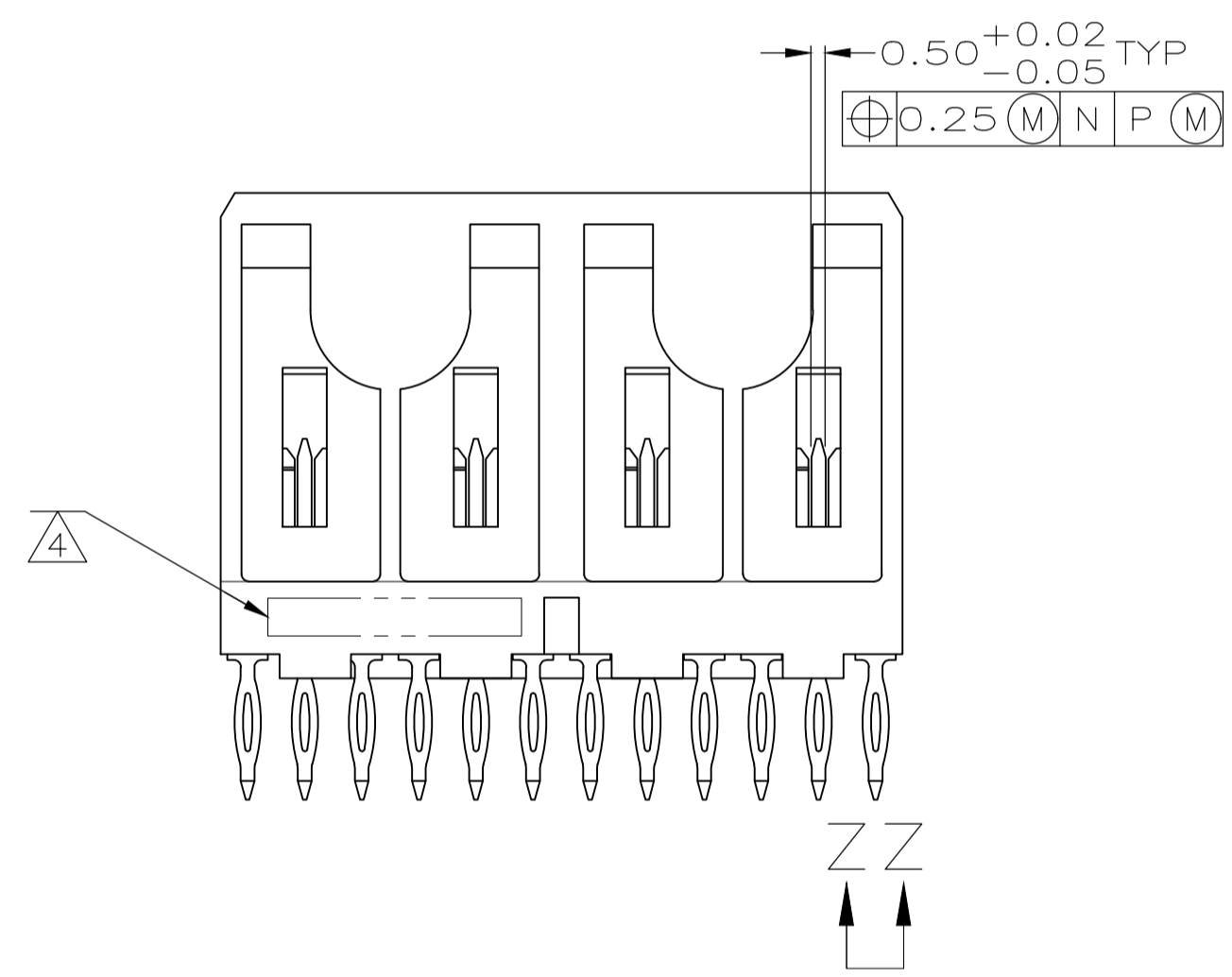
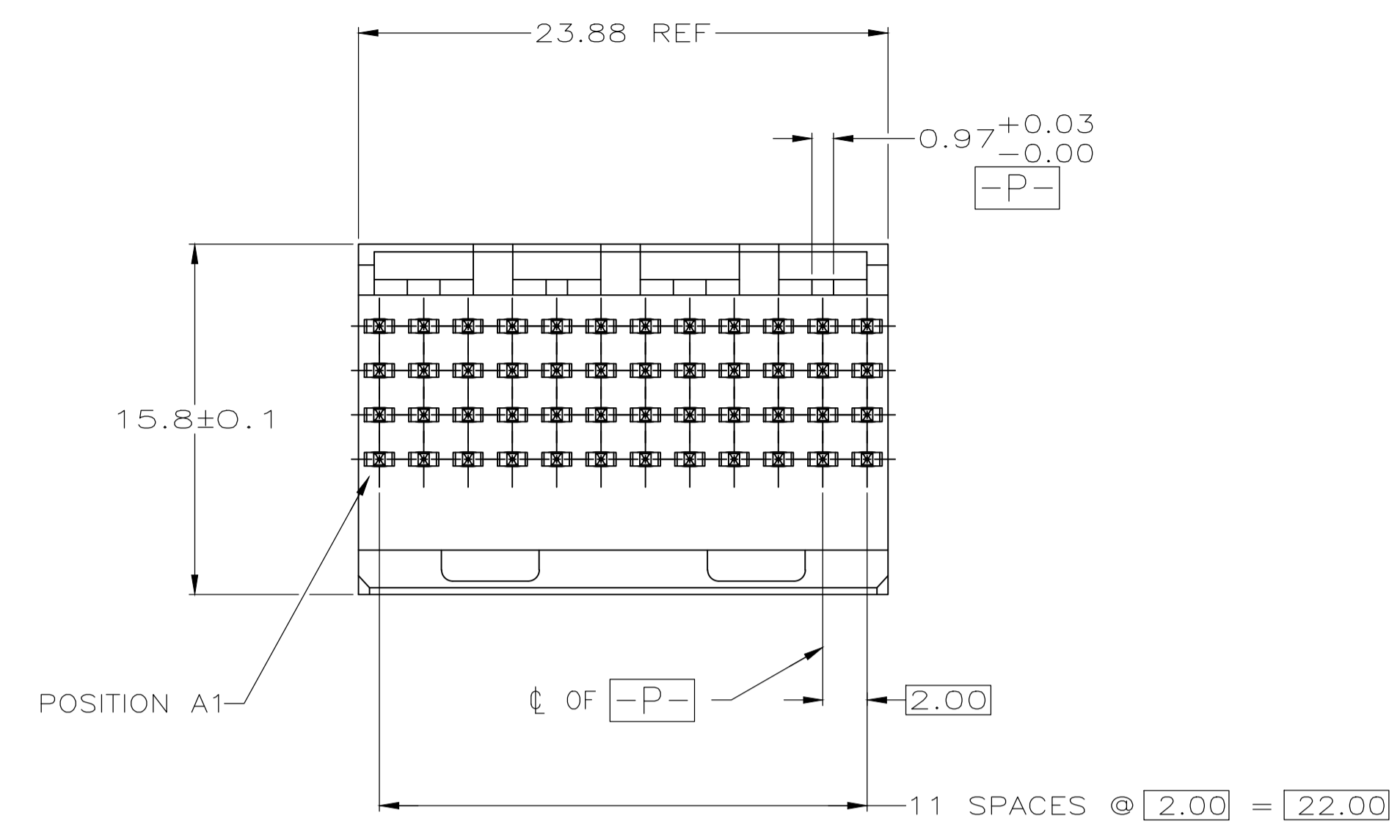
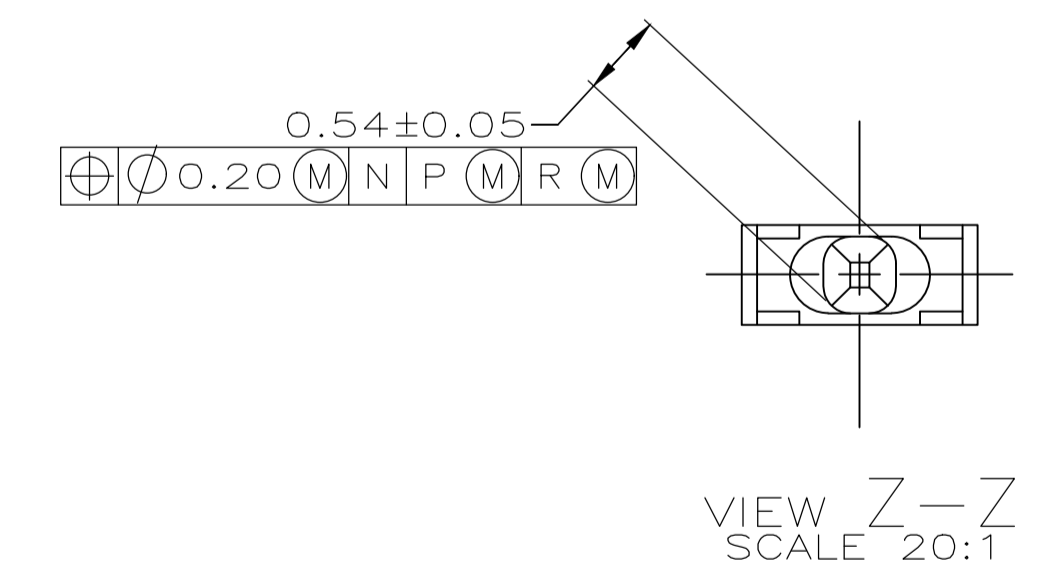


| REVISIONS | | | | |
|-----------|-----|---------------------------|-----------|-------------|
| P | LTR | DESCRIPTION | DATE | OWN / APP'D |
| D | | REVISED PER ECO-20-013368 | 27SEP2020 | RZ / HL |



RECOMMENDED CIRCUIT PATTERN
PER IPC-D300 TYPE II, CLASS C
(COMPONENT SIDE)

- △ HOUSING MATERIAL: LIQUID CRYSTAL POLYMER.
COLOR: NATURAL.
- △ CONTACT MATERIAL: PHOSPHOR BRONZE.
- △ CONTACT FINISH:(B)
UNDERPLATE (ENTIRE CONTACT):
0.00127 MIN NICKEL PER SAE-AMS-QQ-N-290
ON MATING SURFACES:
CONFORMS TO ALL TESTING SPECIFIED FOR TELCORDIA
UNCONTROLLED ENVIRONMENT.
ON LEADS:
0.0006 MIN MATTE TIN PER ASTM B 545 OVER UNDERPLATE.
LUBRICATION (MIN MATING SURFACES):
SURFACE CONDITIONER AFTER PLATING.
- △ PART MARKING, LOCATED APPROXIMATELY AS SHOWN.
- 5. SEE SHEET 2 FOR SEQUENCING CHARTS.
- △ DIMENSION APPLIES WHEN SEATED ON PRINTED CIRCUIT BOARD.
- △ OBSOLETE PARTS: OBSOLETE CIS STREAMLINING PER D.RENAUD/D.SINISI



| | | | |
|---|--|----------------------------------|---|
| THIS DRAWING IS A CONTROLLED DOCUMENT. | | DWN B.MCMMASTER 15DEC04 | |
| DIMENSIONS: mm | | CHK R.WERTZ 15DEC04 | |
| TOLERANCES UNLESS OTHERWISE SPECIFIED: | | NAME R.WERTZ 15DEC04 | PIN ASSY SIGNAL MODULE,Z-PACK 2mm FB 4R 48 POSN,PRESS FIT LEADS WITH SEQUENCING |
| 0. PLC ± - 1. PLC ± - 2. PLC ± 0.13 3. PLC ± - 4. PLC ± - ANGLES ± - FINISH | | PRODUCT SPEC APPLICATION SPEC | |
| MATERIAL | | SIZE A1 | RESTRICTED TO |
| △ △ △ | | CAGE CODE 00779 | DRAWING NO 5223611 |
| CUSTOMER DRAWING | | SCALE 4:1 | SHEET 1 OF 2 |
| | | REV D | |

| REVISIONS | | | | |
|-----------|-----|-------------|------|------|
| P | LTR | DESCRIPTION | DATE | APPV |
| - | | SEE SHEET 1 | - | - |

| | | | | | | | | | | | | | | |
|--------------------|---|---|---|---|---|---|---|---|---|----|----|----|-----|-------------|
| D | - | - | E | E | - | - | E | E | E | E | E | E | D | |
| C | E | E | E | E | E | E | E | E | E | E | E | E | C | 5223611-1 |
| B | E | E | E | E | E | E | E | E | E | E | E | E | B | OBSOLETE |
| A | - | - | - | - | - | - | N | N | N | N | T | T | A | PART NUMBER |
| ROW | 1 | 2 | 3 | 4 | 5 | 6 | 7 | 8 | 9 | 10 | 11 | 12 | ROW | |
| CONTACT LOAD CHART | | | | | | | | | | | | | | |

| | | | | | | | | | | | | | | |
|--------------------|---|---|---|---|---|---|---|---|---|----|----|----|-----|-------------|
| D | E | E | E | E | E | E | E | E | E | N | E | E | D | |
| C | E | E | E | E | E | E | E | E | E | E | N | E | C | 2-5223611-8 |
| B | E | E | E | E | E | E | E | E | E | E | N | E | B | |
| A | E | E | E | E | E | E | E | E | E | E | N | E | A | PART NUMBER |
| ROW | 1 | 2 | 3 | 4 | 5 | 6 | 7 | 8 | 9 | 10 | 11 | 12 | ROW | |
| CONTACT LOAD CHART | | | | | | | | | | | | | | |

| | | |
|----------------|-------|-------|
| Y | 7.25 | 13.60 |
| X | 6.50 | 13.60 |
| J | 6.50 | 4.25 |
| A | 5.00 | 4.25 |
| SS | 8.00 | 13.60 |
| UU | 5.75 | 13.60 |
| T | 8.00 | 4.25 |
| N | 7.25 | 4.25 |
| E | 5.75 | 4.25 |
| CONTACT LETTER | DIM Y | DIM Z |

| | | | | | | | | | | | | | | | | | |
|--------------------|---|---|---|---|---|---|---|---|---|----|----|----|-----|---|---|---|---|
| D | U | U | U | U | S | S | S | S | U | U | U | U | S | S | S | S | D |
| C | U | U | U | U | S | S | S | S | U | U | U | U | S | S | S | S | C |
| B | U | U | U | U | S | S | S | S | U | U | U | U | S | S | S | S | B |
| A | U | U | U | U | S | S | S | S | U | U | U | U | S | S | S | S | A |
| ROW | 1 | 2 | 3 | 4 | 5 | 6 | 7 | 8 | 9 | 10 | 11 | 12 | ROW | | | | |
| CONTACT LOAD CHART | | | | | | | | | | | | | | | | | |

| | | | | | | | | | | | | | | | | | |
|--------------------|---|---|---|---|---|---|---|---|---|----|----|----|-------------|--|--|--|--|
| D | E | E | E | E | E | E | J | J | E | N | N | D | | | | | |
| C | E | E | E | E | E | E | J | J | E | N | N | C | 2-5223611-9 | | | | |
| B | E | E | E | E | E | E | J | J | E | N | N | B | | | | | |
| A | E | E | E | E | E | E | J | J | E | N | N | A | PART NUMBER | | | | |
| ROW | 1 | 2 | 3 | 4 | 5 | 6 | 7 | 8 | 9 | 10 | 11 | 12 | ROW | | | | |
| CONTACT LOAD CHART | | | | | | | | | | | | | | | | | |

| | | | | | | | | | | | | | | | | | |
|--------------------|---|---|---|---|---|---|---|---|---|----|----|----|-----|-------------|--|--|--|
| D | T | A | A | A | A | T | A | T | A | T | A | T | D | | | | |
| C | J | A | A | A | A | T | T | A | T | A | T | A | C | 5223611-3 | | | |
| B | J | A | A | A | A | T | T | A | T | A | T | A | B | | | | |
| A | J | A | A | A | A | T | T | A | T | A | T | A | A | PART NUMBER | | | |
| ROW | 1 | 2 | 3 | 4 | 5 | 6 | 7 | 8 | 9 | 10 | 11 | 12 | ROW | | | | |
| CONTACT LOAD CHART | | | | | | | | | | | | | | | | | |

| | | | | | | | | | | | | | | | | | |
|--------------------|---|---|---|---|---|---|---|---|---|----|----|----|-------------|--|--|--|--|
| D | E | E | E | E | E | E | N | E | E | E | E | D | | | | | |
| C | E | E | E | E | E | E | N | E | E | E | E | C | 3-5223611-0 | | | | |
| B | E | E | E | E | E | E | N | E | E | E | E | B | | | | | |
| A | E | E | E | E | E | E | N | E | E | E | A | A | PART NUMBER | | | | |
| ROW | 1 | 2 | 3 | 4 | 5 | 6 | 7 | 8 | 9 | 10 | 11 | 12 | ROW | | | | |
| CONTACT LOAD CHART | | | | | | | | | | | | | | | | | |

| | | | | | | | | | | | | | | | | | |
|--------------------|---|---|---|---|---|---|---|---|---|----|----|----|-----|-------------|--|--|--|
| D | A | A | A | A | A | A | A | A | A | A | A | A | D | | | | |
| C | A | A | A | A | A | A | A | A | A | A | A | A | C | 5223611-4 | | | |
| B | J | J | J | J | J | J | J | J | J | J | J | J | B | | | | |
| A | A | A | A | A | A | A | A | A | A | A | A | A | A | PART NUMBER | | | |
| ROW | 1 | 2 | 3 | 4 | 5 | 6 | 7 | 8 | 9 | 10 | 11 | 12 | ROW | | | | |
| CONTACT LOAD CHART | | | | | | | | | | | | | | | | | |

| | | | | | | | | | | | | | | | | | |
|--------------------|---|---|---|---|---|---|---|---|---|----|----|----|-----|---|---|---|---|
| D | U | U | U | U | U | U | U | U | U | U | U | U | Y | U | U | U | D |
| C | U | U | U | U | U | U | U | U | U | U | U | U | Y | U | U | U | C |
| B | U | U | U | U | U | U | U | U | U | U | U | U | Y | U | U | U | B |
| A | U | U | U | U | U | U | U | U | U | U | U | U | Y | U | U | U | A |
| ROW | 1 | 2 | 3 | 4 | 5 | 6 | 7 | 8 | 9 | 10 | 11 | 12 | ROW | | | | |
| CONTACT LOAD CHART | | | | | | | | | | | | | | | | | |

| | | | | | | | | | | | | | | | | | |
|--------------------|---|---|---|---|---|---|---|---|---|----|----|-------------|-----|--|--|--|--|
| D | T | J | J | J | J | J | J | J | J | T | D | | | | | | |
| C | T | J | J | J | J | J | J | J | J | T | C | 5223611-5 | | | | | |
| B | T | J | J | J | J | J | J | J | J | T | B | | | | | | |
| A | T | J | J | J | J | J | J | J | J | T | A | PART NUMBER | | | | | |
| ROW | 1 | 2 | 3 | 4 | 5 | 6 | 7 | 8 | 9 | 10 | 11 | 12 | ROW | | | | |
| CONTACT LOAD CHART | | | | | | | | | | | | | | | | | |

| | | | | | | | | | | | | | | | | | |
|--------------------|---|---|---|---|---|---|---|---|---|----|----|----|-----|---|-------------|--|--|
| D | U | U | U | U | U | U | U | U | U | X | X | U | Y | D | | | |
| C | U | U | U | U | U | U | U | U | U | X | X | U | Y | C | 3-5223611-2 | | |
| B | U | U | U | U | U | U | U | U | U | X | X | U | Y | B | | | |
| A | U | U | U | U | U | U | U | U | U | X | X | U | Y | A | PART NUMBER | | |
| ROW | 1 | 2 | 3 | 4 | 5 | 6 | 7 | 8 | 9 | 10 | 11 | 12 | ROW | | | | |
| CONTACT LOAD CHART | | | | | | | | | | | | | | | | | |

| | | | | | | | | | | | | | | | | | |
|--------------------|----|---|---|---|---|---|---|---|---|----|----|-------------|-----|--|--|--|--|
| D | SS | X | X | X | X | | | | | SS | D | | | | | | |
| C | SS | X | X | X | X | | | | | SS | C | 5223611-7 | | | | | |
| B | SS | X | X | X | X | | | | | SS | B | | | | | | |
| A | SS | X | X | X | X | | | | | SS | A | PART NUMBER | | | | | |
| ROW | 1 | 2 | 3 | 4 | 5 | 6 | 7 | 8 | 9 | 10 | 11 | 12 | ROW | | | | |
| CONTACT LOAD CHART | | | | | | | | | | | | | | | | | |

| | | | | | | | | | | | | | | | | | |
|--------------------|---|---|---|---|---|---|---|---|---|----|----|----|-----|---|-------------|--|--|
| D | Y | U | U | U | U | U | U | U | U | U | G | U | U | D | | | |
| C | Y | U | U | U | U | U | U | U | U | U | Y | U | U | C | 3-5223611-3 | | |
| B | Y | U | U | U | U | U | U | U | U | U | U | U | U | B | | | |
| A | Y | U | U | U | U | U | U | U | U | U | U | U | U | A | PART NUMBER | | |
| ROW | 1 | 2 | 3 | 4 | 5 | 6 | 7 | 8 | 9 | 10 | 11 | 12 | ROW | | | | |
| CONTACT LOAD CHART | | | | | | | | | | | | | | | | | |

| | | | | | | | | | | | | | | | | | |
|--------------------|---|---|---|---|---|---|---|---|---|----|----|----|-------------|--|--|--|--|
| D | X | X | X | X | X | X | X | X | X | X | X | D | | | | | |
| C | X | X | X | X | X | X | X | X | X | X | X | C | 5223611-8 | | | | |
| B | X | X | X | X | X | X | X | X | X | X | X | B | | | | | |
| A | X | X | X | X | X | X | X | X | X | X | X | A | PART NUMBER | | | | |
| ROW | 1 | 2 | 3 | 4 | 5 | 6 | 7 | 8 | 9 | 10 | 11 | 12 | ROW | | | | |
| CONTACT LOAD CHART | | | | | | | | | | | | | | | | | |

| | | | | | | | | | | | | | | | | | |
|--------------------|---|---|---|---|---|---|---|---|---|----|----|----|-------------|--|--|--|--|
| D | J | J | J | J | E | N | E | N | E | N | E | D | | | | | |
| C | J | J | J | J | E | N | E | N | E | N | E | C | 3-5223611-4 | | | | |
| B | J | J | J | J | J | J | J | J | J | J | J | B | OBSOLETE | | | | |
| A | J | J | J | J | J | J | J | J | J | J | J | A | PART NUMBER | | | | |
| ROW | 1 | 2 | 3 | 4 | 5 | 6 | 7 | 8 | 9 | 10 | 11 | 12 | ROW | | | | |
| CONTACT LOAD CHART | | | | | | | | | | | | | | | | | |

| | | | | | | | | | | | | | | | | | |
|--------------------|---|---|---|---|---|---|---|---|---|----|----|----|-------------|--|--|--|--|
| D | E | E | E | E | E | E | E | E | E | E | T | D | | | | | |
| C | E | E | E | E | E | E | E | E | E | E | E | C | 5223611-9 | | | | |
| B | N | E | E | E | E | E | E | E | E | N | B | | | | | | |
| A | E | E | E | E | E | E | E | E | E | E | T | A | PART NUMBER | | | | |
| ROW | 1 | 2 | 3 | 4 | 5 | 6 | 7 | 8 | 9 | 10 | 11 | 12 | ROW | | | | |
| CONTACT LOAD CHART | | | | | | | | | | | | | | | | | |

| | | | | | | | | | | | | | | | | | |
|--------------------|---|---|---|---|---|---|---|---|---|----|----|----|-------------|--|--|--|--|
| D | N | N | J | J | N | N | N | N | E | E | E | D | | | | | |
| C | N | N | J | J | N | N | N | N | E | E | E | C | 3-5223611-5 | | | | |
| B | N | N | J | J | N | N | N | N | E | E | N | B | OBSOLETE | | | | |
| A | N | N | J | J | N | N | N | N | E | E | N | A | PART NUMBER | | | | |
| ROW | 1 | 2 | 3 | 4 | 5 | 6 | 7 | 8 | 9 | 10 | 11 | 12 | ROW | | | | |
| CONTACT LOAD CHART | | | | | | | | | | | | | | | | | |

| | | | | | | | | | | | | | | | | | |
|--------------------|---|---|---|---|---|---|---|---|---|----|----|-------------|-----|--|--|--|--|
| D | T | J | J | J | J | | | | | T | D | | | | | | |
| C | T | J | J | J | J | | | | | T | C | 4-5223611-6 | | | | | |
| B | T | J | J | J | J | | | | | T | B | | | | | | |
| A | T | J | J | J | J | | | | | T | A | PART NUMBER | | | | | |
| ROW | 1 | 2 | 3 | 4 | 5 | 6 | 7 | 8 | 9 | 10 | 11 | 12 | ROW | | | | |
| CONTACT LOAD CHART | | | | | | | | | | | | | | | | | |

| | | | | | | | | | | | | | | | | | |
|--------------------|---|---|---|---|---|---|---|---|---|----|----|-------------|-------------|--|--|--|--|
| D | E | E | E | E | E | E | E | E | E | E | D | | | | | | |
| C | E | E | E | E | E | E | E | E | E | E | C | 3-5223611-7 | | | | | |
| B | E | E | E | E | E | E | E | E | E | E | B | OBSOLETE | | | | | |
| A | N | N | N | N | T | T | N | N | N | N | T | A | PART NUMBER | | | | |
| ROW | 1 | 2 | 3 | 4 | 5 | 6 | 7 | 8 | 9 | 10 | 11 | 12 | ROW | | | | |
| CONTACT LOAD CHART | | | | | | | | | | | | | | | | | |

THIS DRAWING IS A CONTROLLED DOCUMENT.

| | | | |
|------------------|--|-------------------------|---|
| DIMENSIONS: mm | TOLERANCES UNLESS OTHERWISE SPECIFIED: | DIN B. MCMASTER 150EC04 | TE Connectivity |
| | | CHK R. WERTZ 150EC04 | |
| | | APVD R. WERTZ 150EC04 | NAME |
| | | PRODUCT SPEC | PIN ASSY SIGNAL MODULE, Z-PACK 2mm FB |
| | | APPLICATION SPEC | 4R 48 POSN, PRESS FIT LEADS WITH SEQUENCING |
| MATERIAL | FINISH | WEIGHT | RESTRICTED TO |
| | | A1 00779 | |
| CUSTOMER DRAWING | SCALE 4:1 | SHEET 2 OF 2 | REV D |