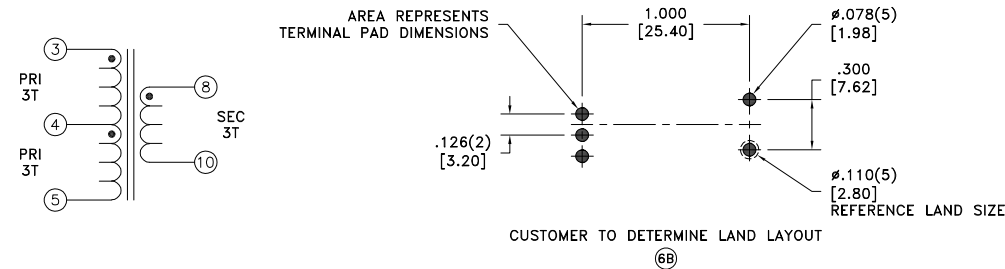
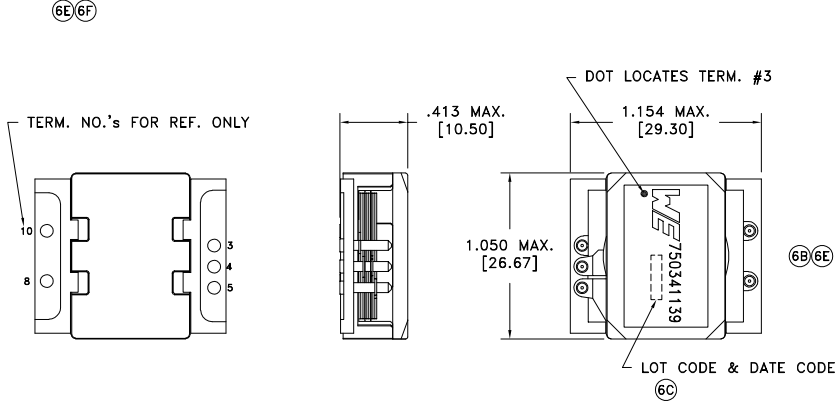


CUSTOMER TERMINAL	RoHS	LEAD(Pb)-FREE
Sn100%	Yes	Yes



ELECTRICAL SPECIFICATIONS @ 25°C unless otherwise noted:

PARAMETER	TEST CONDITIONS	VALUE
D.C. RESISTANCE	3-4 @20°C	3 mOhms max.
D.C. RESISTANCE	4-5 @20°C	3 mOhms max.
D.C. RESISTANCE	8-10 @20°C	3 mOhms max.
INDUCTANCE	3-5 100kHz, 100mVAC, Ls	145.0uH min.
LEAKAGE INDUCTANCE	3-5 tie(8+10), 100kHz, 100mVAC, Ls	250nH max.
DIELECTRIC	3-8 2250VDC, 1 second	-
URNS RATIO	(8-10):(3-4)	1:1, ±1%
URNS RATIO	(8-10):(4-5)	1:1, ±1%



GENERAL SPECIFICATIONS:

OPERATING TEMPERATURE RANGE: -40°C to +125°C including temp rise.

REV.	DATE	Packaging Specifications
6F	4/20	Method: Tape & Reel
6E	5/14	PKG-0793
6D	4/13	www.we-online.com/midcom
6C	11/12	SEE REVISION SHEET FOR REVISION LEVEL



Tolerances unless otherwise specified:
 Angles: ±1° Decimals: ±.005 [.13]
 Fractions: ±1/64 Footprint: ±.005 [.13]

This drawing is dual dimensioned. Dimensions in brackets are in millimeters.

DRAWING TITLE	PART NO.
TRANSFORMER	750341139
eiSos p/n: 750341139	SPECIFICATION SHEET 1 OF 1

