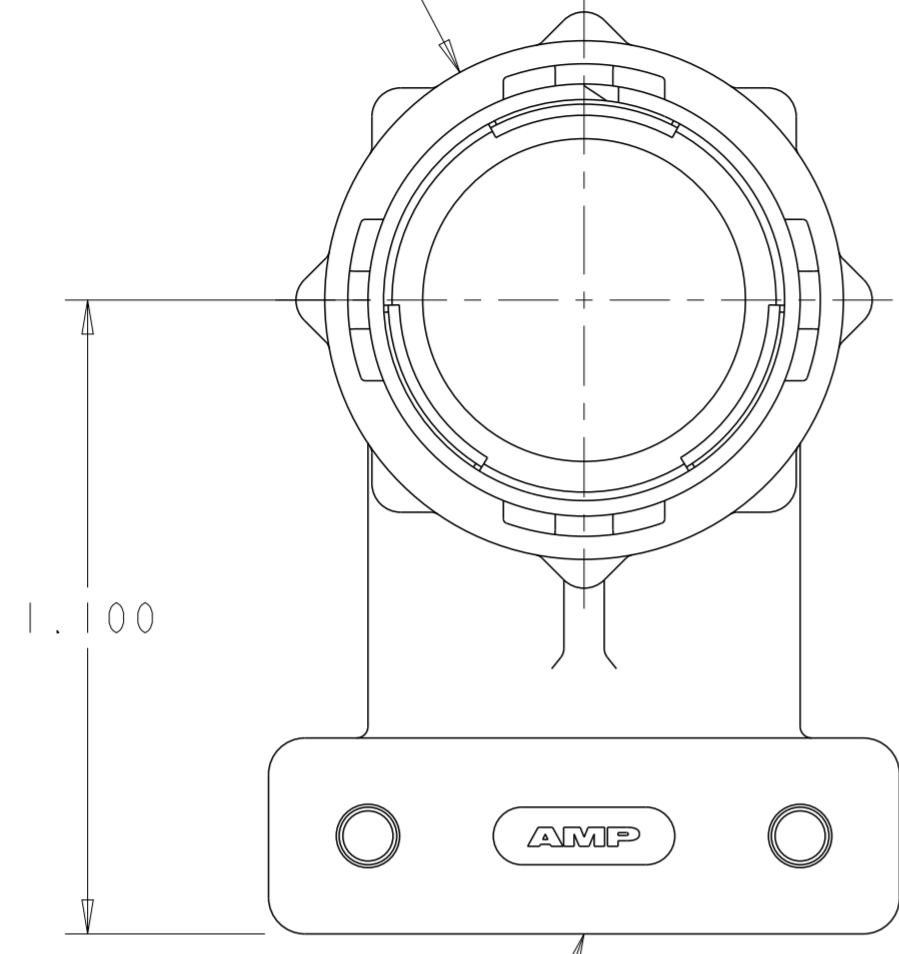


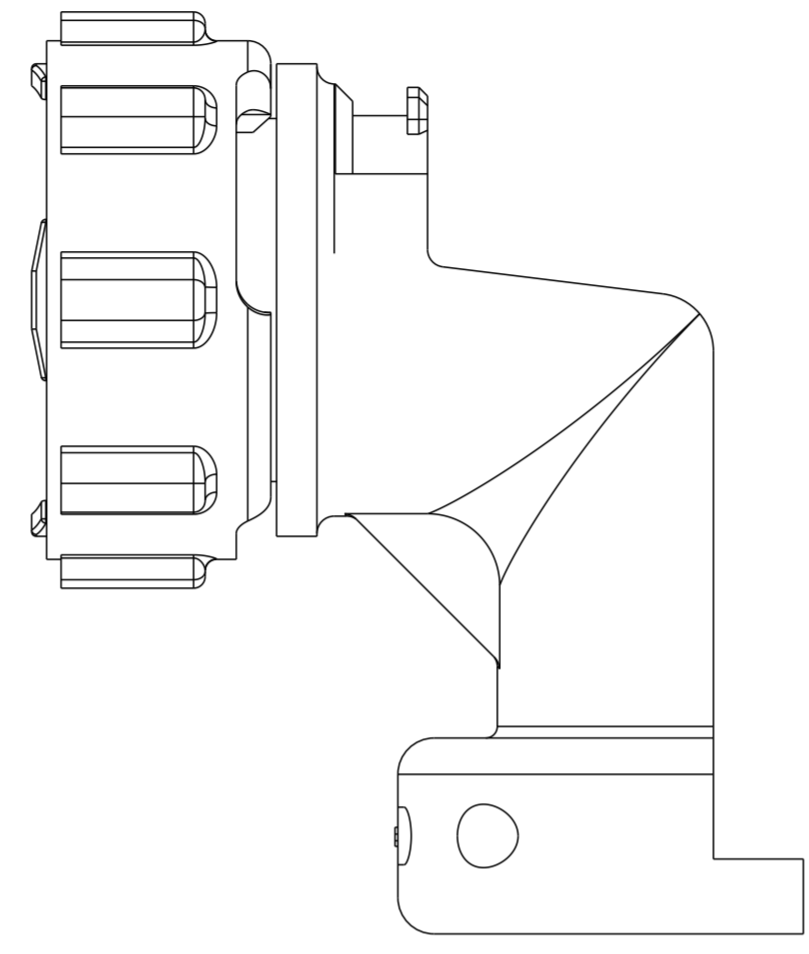
THIS DRAWING IS UNPUBLISHED. RELEASED FOR PUBLICATION
 © COPYRIGHT 20 BY - ALL RIGHTS RESERVED.

REVISIONS					
P	LTR	DESCRIPTION	DATE	DWN	APVD
E		REVISED PER ECO-10-012730	20SEP10	HMR	MG
F		REVISED PER ECO-18-003937	15MAR2018	RS	MZ

COUPLING RING
 NYLON, COLOR:BLACK



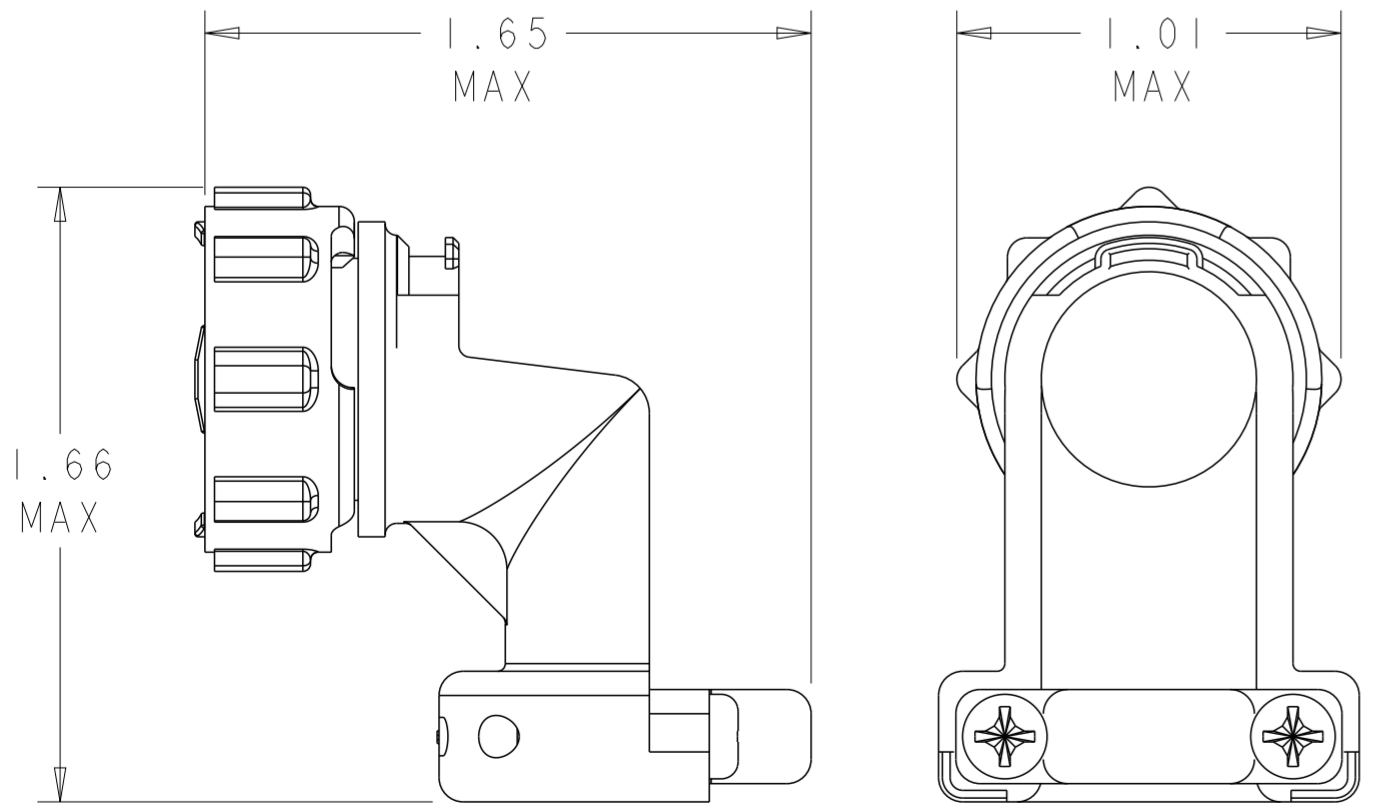
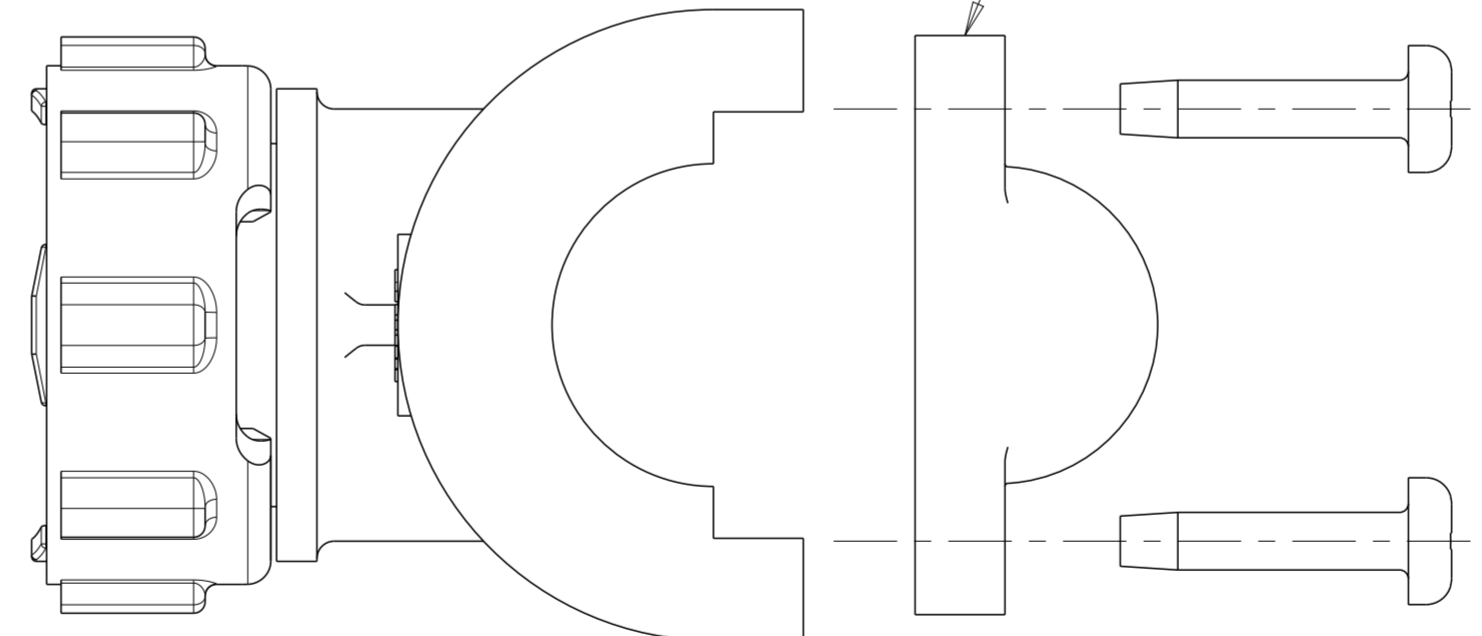
CABLE CLAMP BODY
 NYLON, COLOR:BLACK



- ① SELF TAPPING SCREWS AND CABLE CLAMP INSERTS PACKAGED UNASSEMBLED.
- ② CLAMPING AREA ADJUSTABLE TO .453 O.D. MAX CABLE. CABLE CLAMP INSERTS CAN BE ADJUSTED BY INVERTING OR CHANGING CABLE CLAMP INSERT.

① 5-20 SELF TAPPING SCREW
 MATERIAL: STEEL
 FINISH: ZINC PLATED
 QTY: 2
 LENGTH: .50^{+.00}_{-.05}

①② CABLE CLAMP INSERT
 NYLON, COLOR:BLACK
 QTY: 2



ASSEMBLED VIEW
 SCALE 2:1

SUPERSEDED BY - 2
 796380-2
 796380-1
 PART NUMBER

THIS DRAWING IS A CONTROLLED DOCUMENT.		DWN S. WELDON 11FEB2000	TE Connectivity				
DIMENSIONS: INCHES		CHK M. CHACKO 11FEB2000					
TOLERANCES UNLESS OTHERWISE SPECIFIED:		APVD M. CHACKO 11FEB2000					
0 PLC ± 1 PLC ± 2 PLC ± 3 PLC ±0.005 4 PLC ± ANGLES ± FINISH -		PRODUCT SPEC - APPLICATION SPEC - WEIGHT -					
MATERIAL -		CUSTOMER DRAWING	NAME CABLE CLAMP KIT, UNASSEMBLED, RIGHT ANGLE, SIZE 13, CPC	SIZE A2	CAGE CODE 00779	DRAWING NO C-796380	RESTRICTED TO -
			SCALE 3:1	SHEET 1	OF 1	REV F	