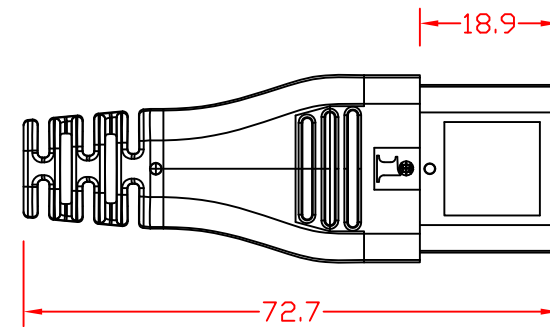
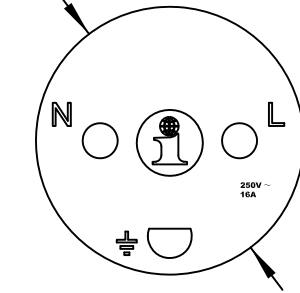


36.5±0.5DIA



THIS DOCUMENT AND ITS CONTENTS ARE THE PROPRIETARY CONFIDENTIAL
PROPERTY OF INTERPOWER CORPORATION. NO USE OR COPIES
MAY BE MADE WITHOUT WRITTEN PERMISSION FROM INTERPOWER CORPORATION.

DIMENSIONS IN MILLIMETERS

TITLE Danish 040
Cordset Std Plug

DRAFT BY: JPC DATE: 6-17-2005

PART NUMBER: 86280610

DRAFTING APPROVAL: JPC DATE: 6-17-2005

MATERIAL: PVC

DD NOT SCALE

INTERPOWER
CORPORATION

SHEET 1 OF 1

| REV | CHANGE DESCRIPTION | DATE | INITIALS |
|-----|--|---------|----------|
| C | Removed non-technical markings from drawing. | 2/28/18 | DDF |
| B | Updated C13 length from 71.4mm to 72.7mm. | 8/28/13 | DDF |
| A | Replace 002 C13 with new C13 052 | 2-13-07 | JC |