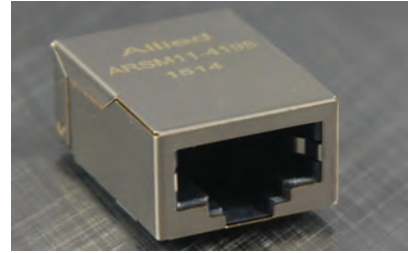


Single Port SMD RJ45

ARSM11-4195

- 10/100 Base-T
- Impedance: 100OHMS
- RJ45 jack cavity conforms to FCC rules and regulations Part 68, SUB Part F
- Standard Temperature: -0°C to +70°C



Electrical Specifications @ 25°C

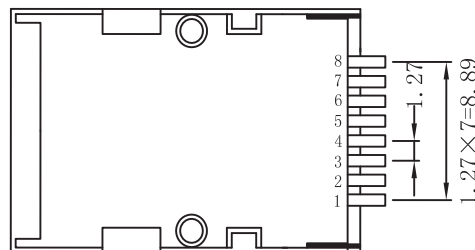
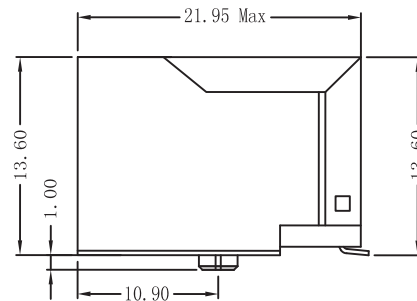
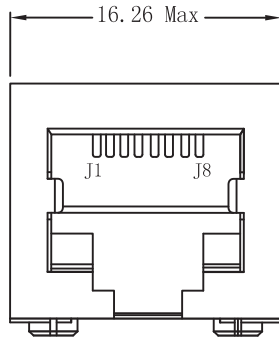
Part Number	OCL(uH Min) @ 100kHz, 100mV	Turns Ratio chip: cable (±2%)	Cross Talk (dB Min)		Isolation Voltage
	With 8mA DC Bias		1-60MHz	60-100MHz	
ARSM11-4195	350	1CT:1CT	-35	-30	1500Vrms

Electrical Specifications @ 25°C

Part Number	Insertion Loss (dB Max)	Return Loss (dB Min) @ Load 100 Ohm			CMR (dB Min)
		1-65MHz	1-30MHz	30MHz	
ARSM11-4195	-1.0	-18	-14	-10	-20

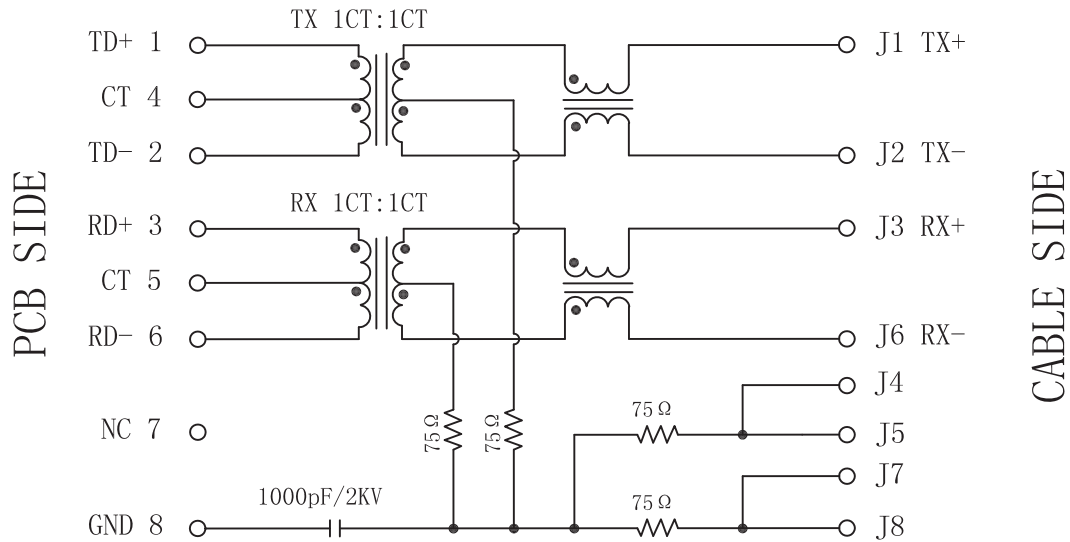
All specifications subject to change without notice.

MECHANICAL

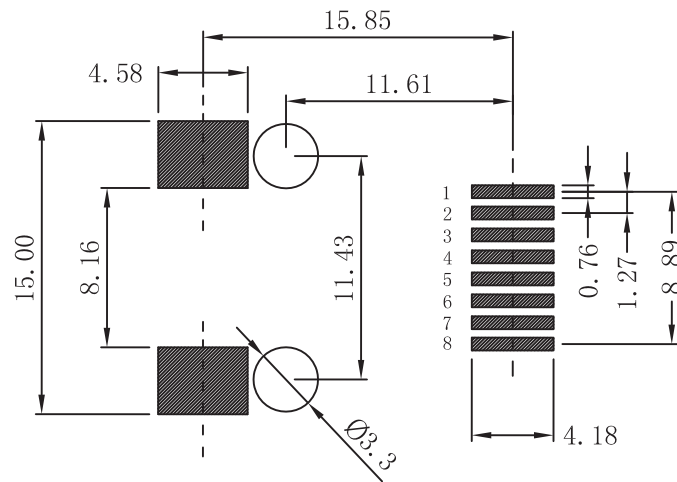




**SCHEMATICS**



**PCB LAYOUT**



**NOTES**

1. Designed to support application, such as SOHO (ADSL modems), LAN-on-Motherboard (LOM), hub and Switches.
2. Meets IEEE 802.3 specification
3. Connector Materials:  
 Housing: Thermoplastic UL94V-0  
 Contact/Shield: Copper alloy  
 Shield plating: Nickel  
 Contact plating: Gold 6 micro-inches min. In contact area
4. Wave solder tip temperature: 265°C Max  
 Wave solder tip temperature time: 5 Sec Max