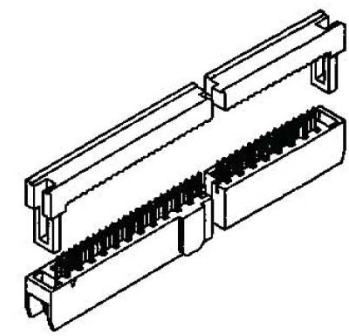
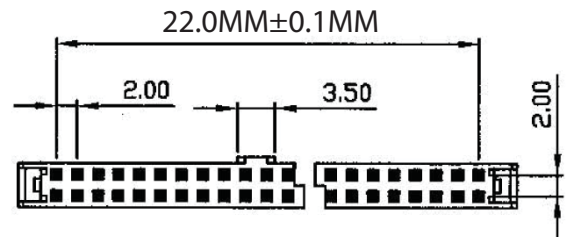
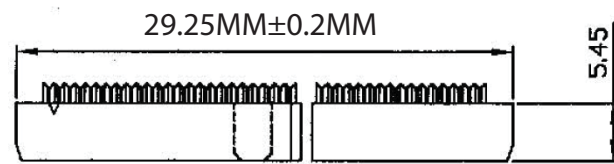
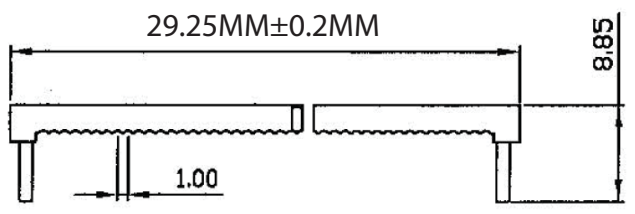
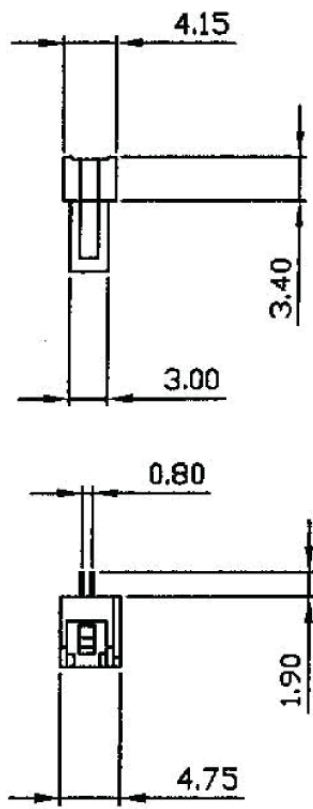


I.D.C. Socket Dual-Row, No SR



Materials:

- Insulator: P.B.T. 30% Glass Fiber, UL94V-0
- Contact Material: Phosphor Bronze
- Gold Flash over Nickel

Electrical:

- Current Rating: 1 Amp
- Insulation Resistance: 1,000MΩ Min.
- Dielectric Withstanding, 500V AC
- Operating Temperature: -55°C ~ +105°C

Unit: MM±0.3MM

Scale	1:1						Name
TOLERANCE					Drawn	10.19.11	Chappell
X.X	±0.40				Approved		
X.XX	±0.25						
X.XXX	±0.15						
Angle	±3°						
Modification				Date	Name		



Item No.	AWP2-24-7240-T-R
Title	IDC-Socket, Pitch 2.0MM, 24 Contacts Central Guide Lug w/o Strain Relief, Gold Flash
Drawing No.	
Replace	rev00
Sheet	