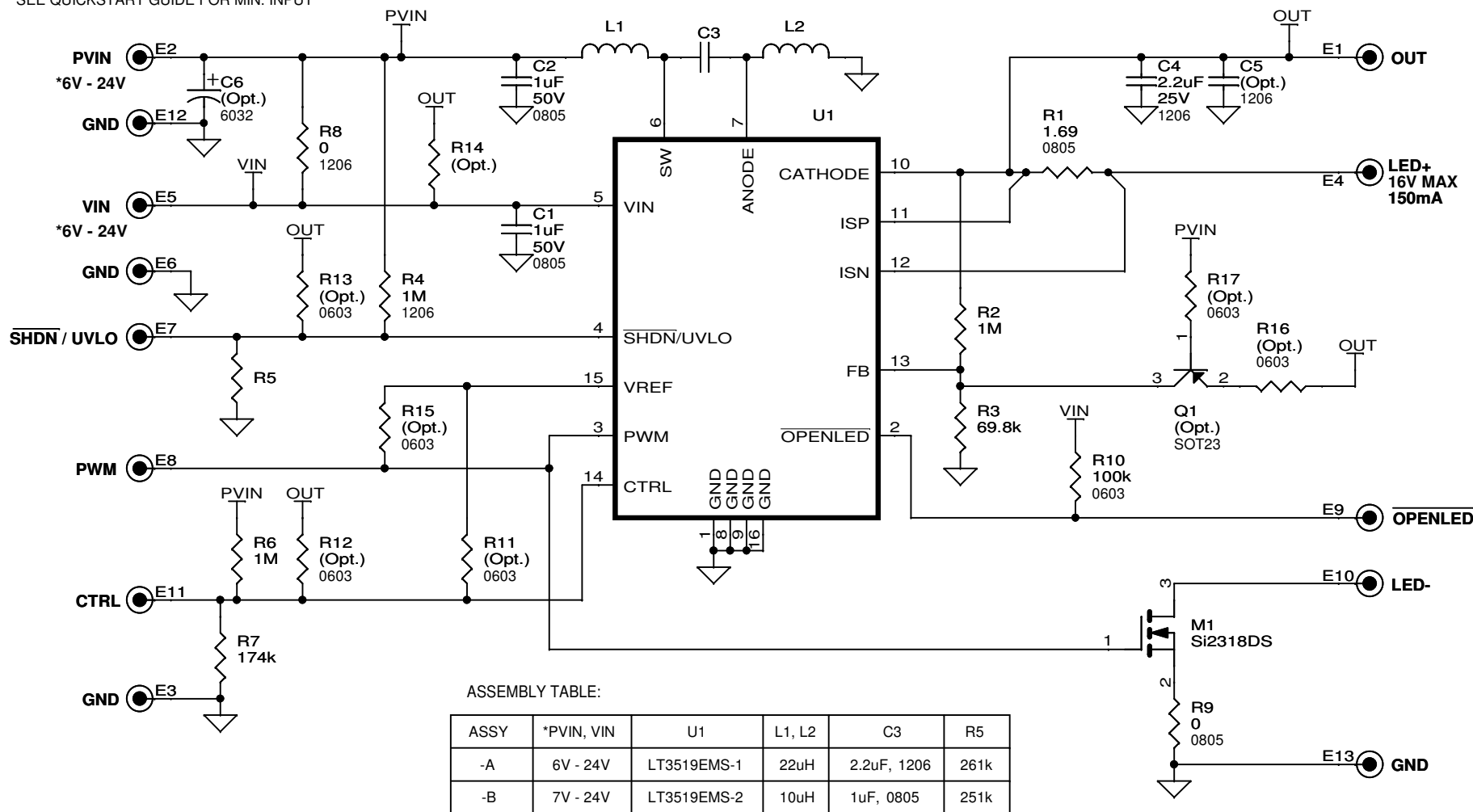


NOTE: UNLESS OTHERWISE SPECIFIED

1. ALL RESISTORS ARE IN OHMS 0402

* SEE QUICKSTART GUIDE FOR MIN. INPUT



ASSEMBLY TABLE:

ASSY	*PVIN, VIN	U1	L1, L2	C3	R5
-A	6V - 24V	LT3519EMS-1	22uH	2.2uF, 1206	261k
-B	7V - 24V	LT3519EMS-2	10uH	1uF, 0805	251k

REVISION HISTORY				
ECO	REV	DESCRIPTION	APPROVED	DATE
-	1	PRODUCTION	KEITH S.	11-23-09

CUSTOMER NOTICE

LINEAR TECHNOLOGY HAS MADE A BEST EFFORT TO DESIGN A CIRCUIT THAT MEETS CUSTOMER-SUPPLIED SPECIFICATIONS; HOWEVER, IT REMAINS THE CUSTOMER'S RESPONSIBILITY TO VERIFY PROPER AND RELIABLE OPERATION IN THE ACTUAL APPLICATION. COMPONENT SUBSTITUTION AND PRINTED CIRCUIT BOARD LAYOUT MAY SIGNIFICANTLY AFFECT CIRCUIT PERFORMANCE OR RELIABILITY. CONTACT LINEAR TECHNOLOGY APPLICATIONS ENGINEERING FOR ASSISTANCE.


THIS CIRCUIT IS PROPRIETARY TO LINEAR TECHNOLOGY AND SUPPLIED FOR USE WITH LINEAR TECHNOLOGY PARTS.

CONTRACT NO.

APPROVALS

PCB DES. K.L.

ENG. KEITH S.



1630 McCarthy Blvd.
Milpitas, CA 95035
Phone: (408)432-1900
Fax: (408)434-0507
LTC Confidential-For Customer Use Only

TITLE: SCHEMATIC

HIGH FREQUENCY SEPIC LED DRIVER

SIZE	IC NO.	REV
N/A	LT3519EMS-1 / -2 DEMO CIRCUIT 1612A-A / B	1

DATE: Thursday, January 14, 2010

SHEET 1 OF 1