

PART NUMBER: EMS150040-P5P-SZ

DESCRIPTION: switching power supply

Features

- Energy Star and California Energy Commission Regulations compliant
- RoHS Compliant
- Interchangeable input plugs
- 100-240 V ac input
- Regulated output voltage
- Over-voltage protected
- Short-circuit protected
- UL/cUL certified and FCC class B compliant


INPUT

| | |
|---------------------------|---|
| rated input voltage | 100 V ~ 240 V ac |
| input voltage range | 90 V ~ 264 V ac |
| rated frequency | 50~60 Hz |
| frequency range | 47~63 Hz |
| rated input current | 300 mA RMS max. |
| inrush current | 15 A max. at 115 / 30 A max. at 230 V ac cool start |
| no load power consumption | 0.3 W max. (CEC Compliant) |

OUTPUT

| | |
|--------------------------|--|
| output voltage | 15 V dc at 0.4 A |
| output min. current | 0 A |
| line regulation | ± 1% |
| load regulation | ± 5% |
| over voltage protection | 23 V dc max. (output shut down) |
| short circuit protection | output shut down and auto restart |
| ripple voltage | 150 mV (p-p) (100~240 V ac at full load) |
| efficiency | meets Energy Star / CEC Level IV |

SAFETY & EMI

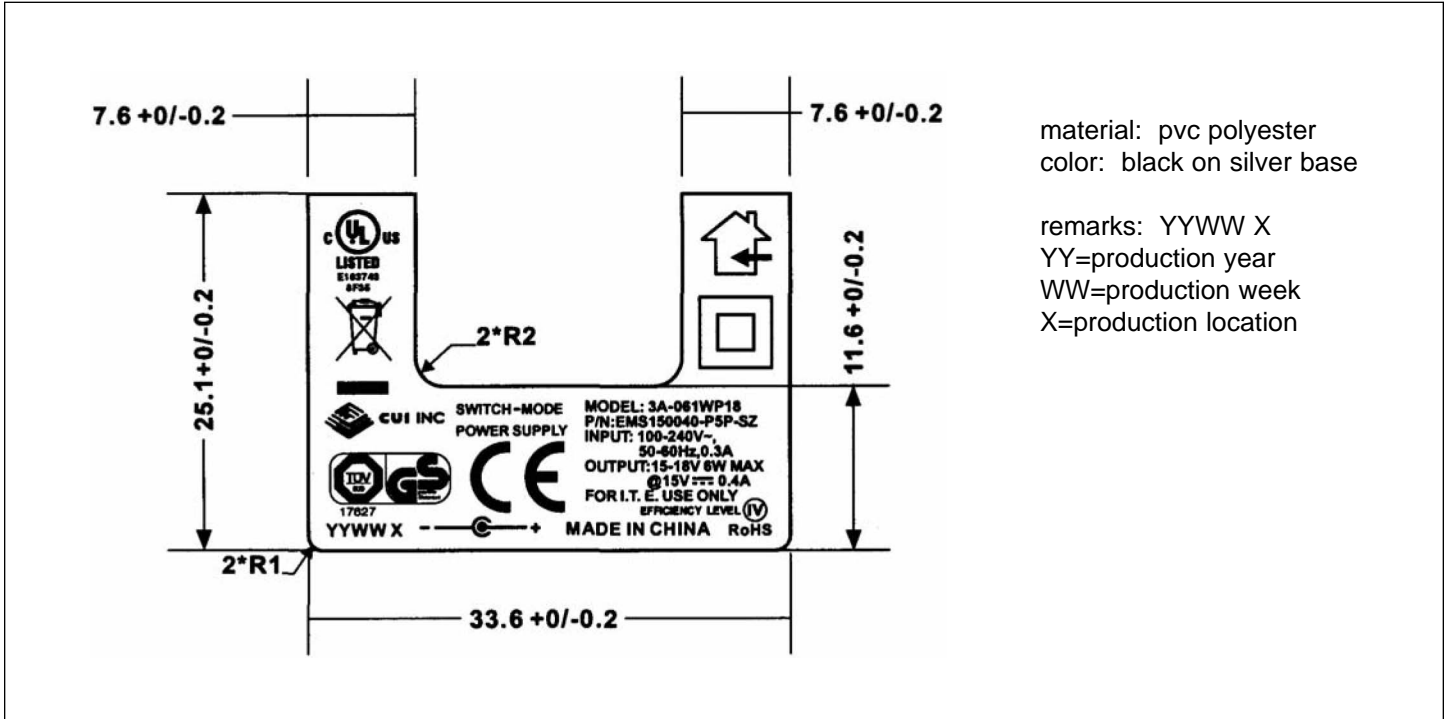
| | | |
|-----------------------|----------------------|--|
| HI-POT | input to output | 3000 V ac or 4242 V dc at 10 mA for 1 min. |
| insulation resistance | input to output | > 100 M Ohm at 500 V dc |
| safety approvals | UL/cUL, CE, GS | |
| EMI standard | FCC class B, EN55022 | |
| RoHS compliant | yes | |
| leakage current | 0.25 mA | |

ENVIRONMENTAL

| | |
|-----------------------|----------------|
| storage temperature | -10°C ~ +70° C |
| operating temperature | 0°C ~ +40° C |
| storage humidity | 10~90% |
| operating humidity | 20~80% |

PART NUMBER: EMS150040-P5P-SZ

DESCRIPTION: switching power supply

LABEL

 material: pvc polyester
 color: black on silver base

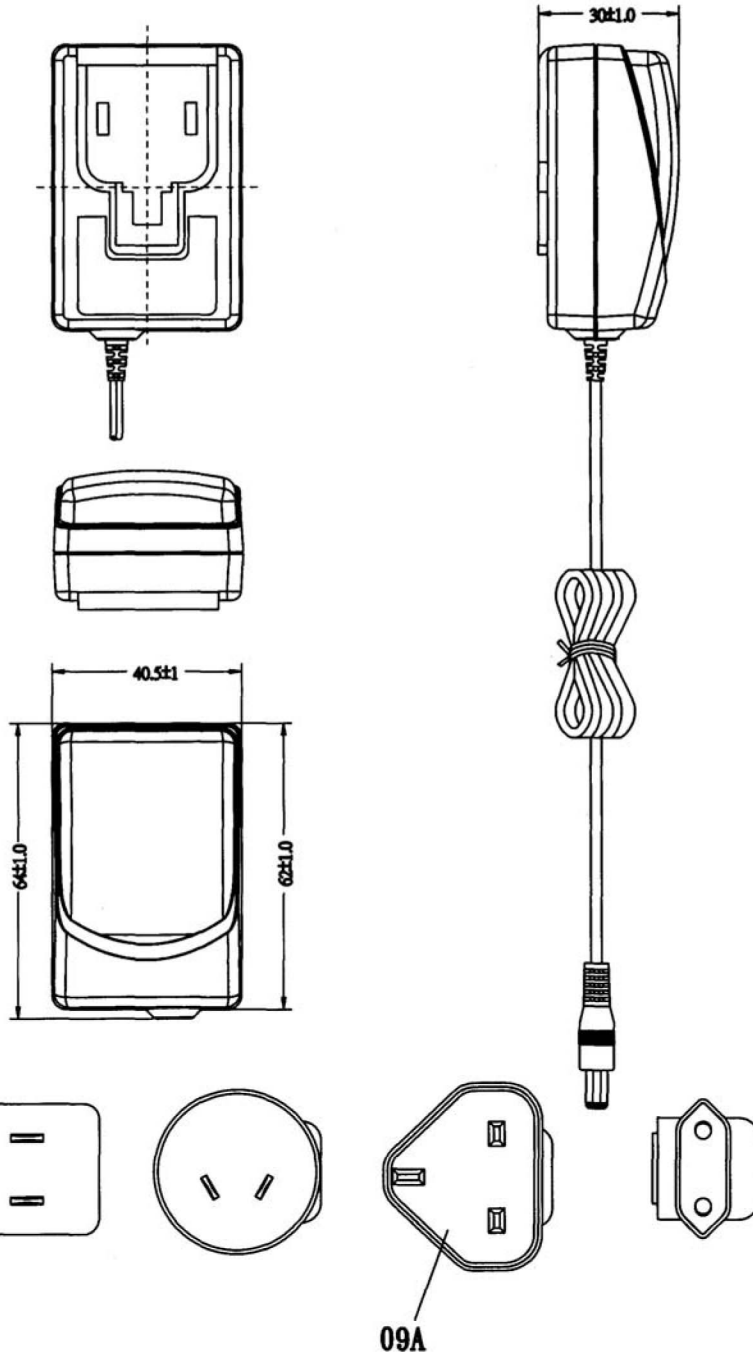
 remarks: YYWW X
 YY=production year
 WW=production week
 X=production location

PART NUMBER: EMS150040-P5P-SZ

DESCRIPTION: switching power supply

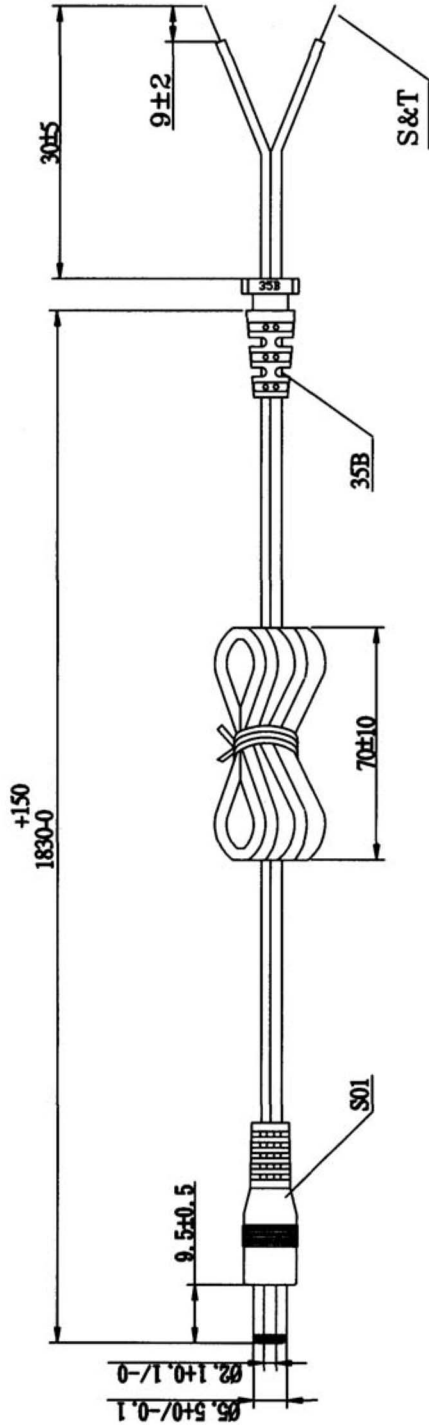
MECHANICAL DRAWING

| | |
|------------|---|
| input plug | Interchangeable PIN (UL, UK, VDE, SAA) |
| case size | 64 L x 40.5 W x 30 H mm Tolerance: ± 1 |



PART NUMBER: EMS150040-P5P-SZ

DESCRIPTION: switching power supply

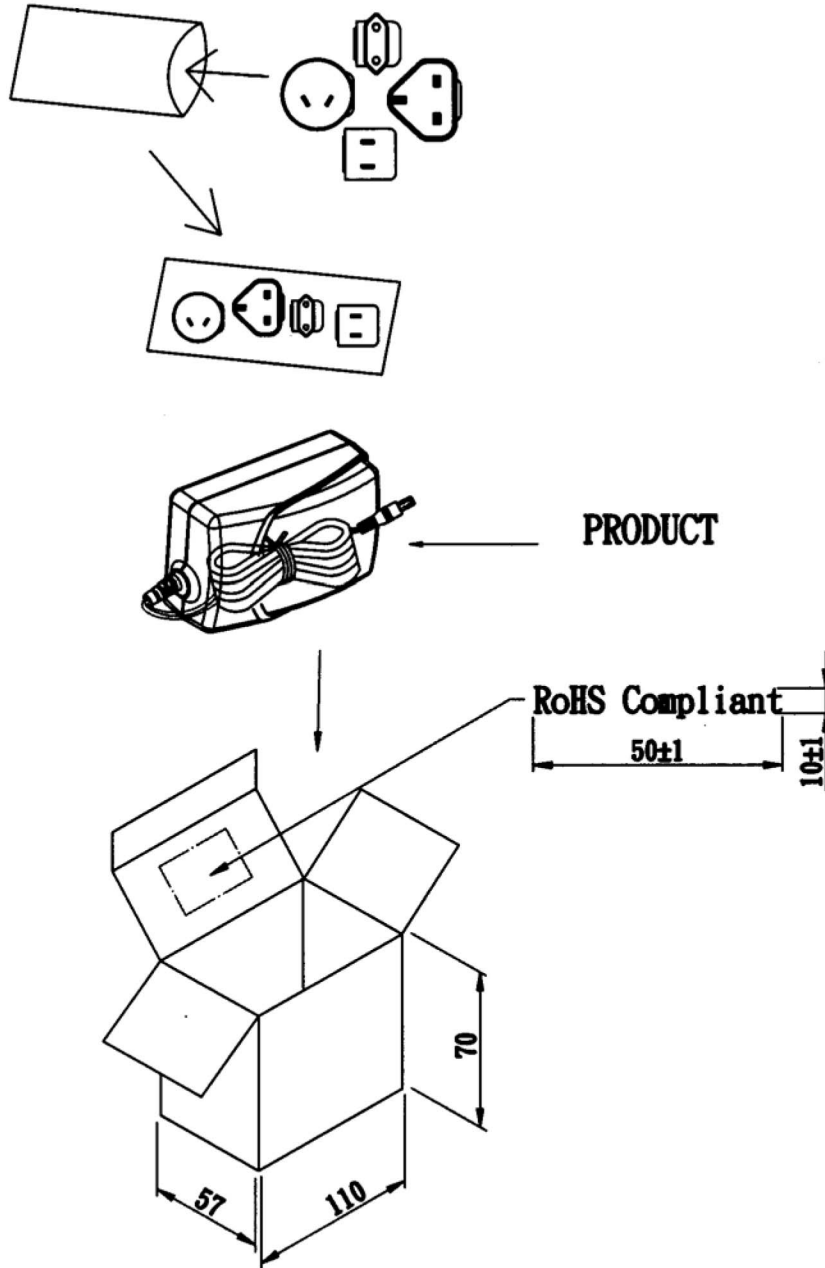
DC CORD


#22AWGX2C UL2468 HAVE ON WORD WIRE IN OUTER, NO WORD WIRE IN INNER



OD: Ø1.7*3.4

| | |
|-------------------|---|
| VIBRATION TEST | Parameter request |
| | a. ±50" b. WEIGHT 200g c. 40 ROUND/MINUTE d. OVER 1000 COUNT MIN |

PART NUMBER: EMS150040-P5P-SZ**DESCRIPTION:** switching power supply**INDIVIDUAL PACKAGING**tolerance: ± 1 

PART NUMBER: EMS150040-P5P-SZ**DESCRIPTION:** switching power supply**PACKAGING**

tolerance: +7/-0

CARTON INTERNAL SIZE: 450*308*300mm**QTY: 80PCS(20*4)****"RoHS Compliant"**