

8 7 6 5 4 3 2 1

THIS DRAWING IS THE PROPERTY OF ANALOG DEVICES INC. IT IS NOT TO BE REPRODUCED OR COPIED, IN WHOLE OR IN PART, OR USED IN FURNISHING INFORMATION TO OTHERS, OR FOR ANY OTHER PURPOSE DETRIMENTAL TO THE INTERESTS OF ANALOG DEVICES. THE EQUIPMENT SHOWN HEREON MAY BE PROTECTED BY PATENTS OWNED OR CONTROLLED BY ANALOG DEVICES.

RELAY CONTROL CHART

CONTROL	CODE	DEVICE	FUNCTION	CONNECTOR

JUMPER TABLE		
JP#	ON	OFF
1		
2		
3		
4		
5		

* SEE ASSEMBLY INSTRUCTIONS

REVISIONS			
REV	DESCRIPTION	DATE	APPROVED
A	INITIAL RELEASE	03JUL20	A.HERNANDEZ

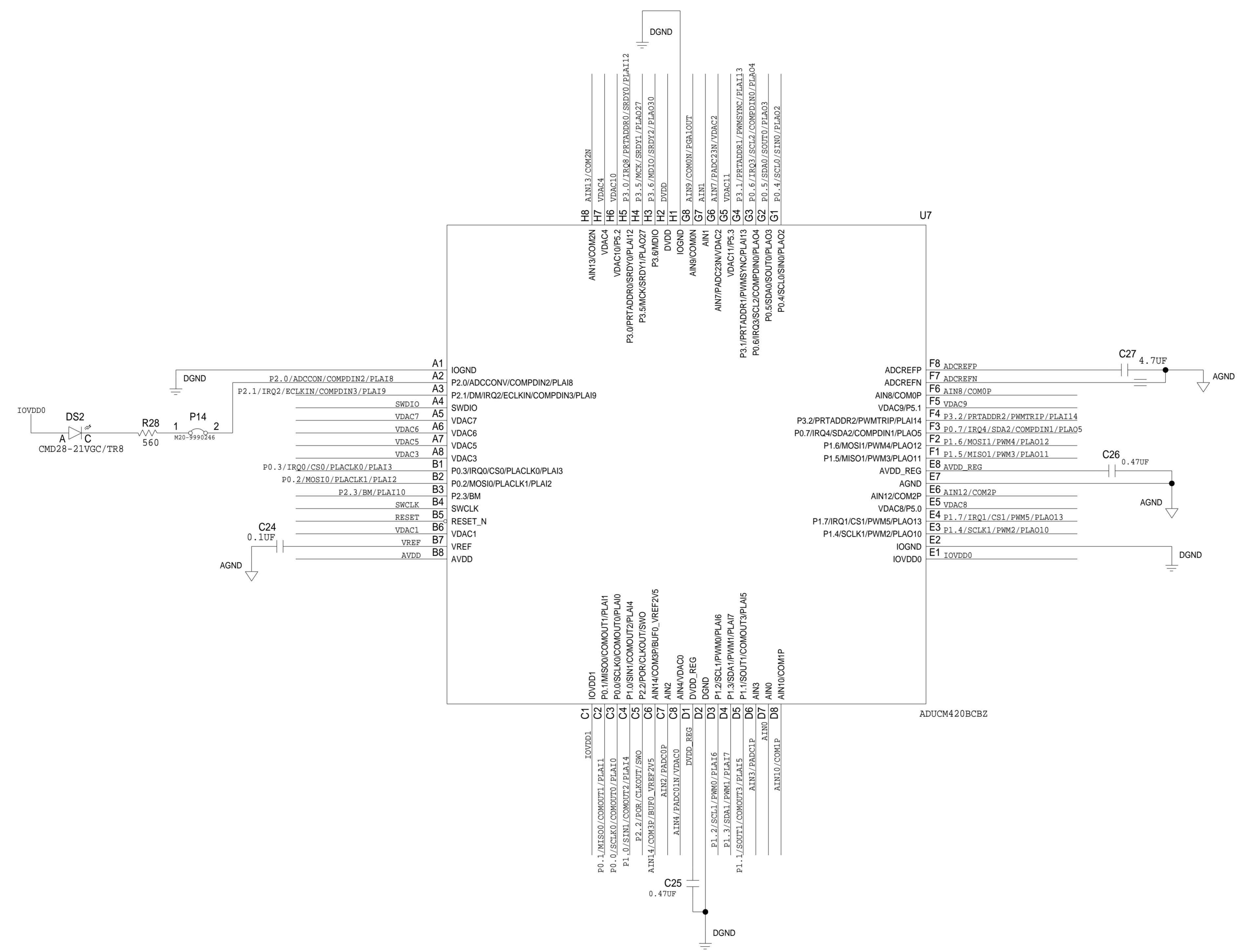
EVAL-ADUCM420QSP1Z

P.O SPEC.	BK/BD SPEC.	SOCKET OEM	OEM PART#	HANDLER

TEMPLATE ENGINEER	DATE	SCHEMATIC		ANALOG DEVICES	
HARDWARE SERVICES M. VALE	03JUL20	HW TYPE : Customer Evaluation Z			
HARDWARE SYSTEMS -		Product(s): ADuCM420			
TEST ENGINEER -		: EV-ADuCM420QSP1Z			
COMPONENT ENGINEER M. YAN	03JUL20	PACKAGE : 64-lead N/A WLCSP-family			
TEST PROCESS -		: Pitch-pitch StyleVendor Style			
HARDWARE RELEASE K. JABATAN	03JUL20	<User Define>		<User Define>	
DESIGNER N. CORDOVA	03JUL20	MASTER PROJECT TEMPLATE TBD	TESTER TEMPLATE no_template	DRAWING NO.	
PTD ENGINEER A. HERNANDEZ	03JUL20	UNLESS OTHERWISE SPECIFIED DIMENSIONS ARE IN INCHES		02_065549	
CHECKER -		TOLERANCES		REV. A	
		DECIMALS	FRACTIONS	ANGLES	
		X.XX +0.010	+1/32	+2	
		X.XXX +0.005			
SIZE	SCALE	CODE ID NO.	SHEET	OF	
D	1:1	CodeID	1	7	

8 7 6 5 4 3 2 1

REVISIONS			
REV	DESCRIPTION	DATE	APPROVED



SCHEMATIC				
HW TYPE : Customer Evaluation Z Product(s) : ADUCM420 : EV-ADUCM420QSP1Z		DESIGN VIEW <DESIGN_VIEW>	DRAWING NO. 02_065549	REV A
PTD ENGINEER A. HERNANDEZ		SIZE D	SCALE 1:1	SHEET 2 OF 7

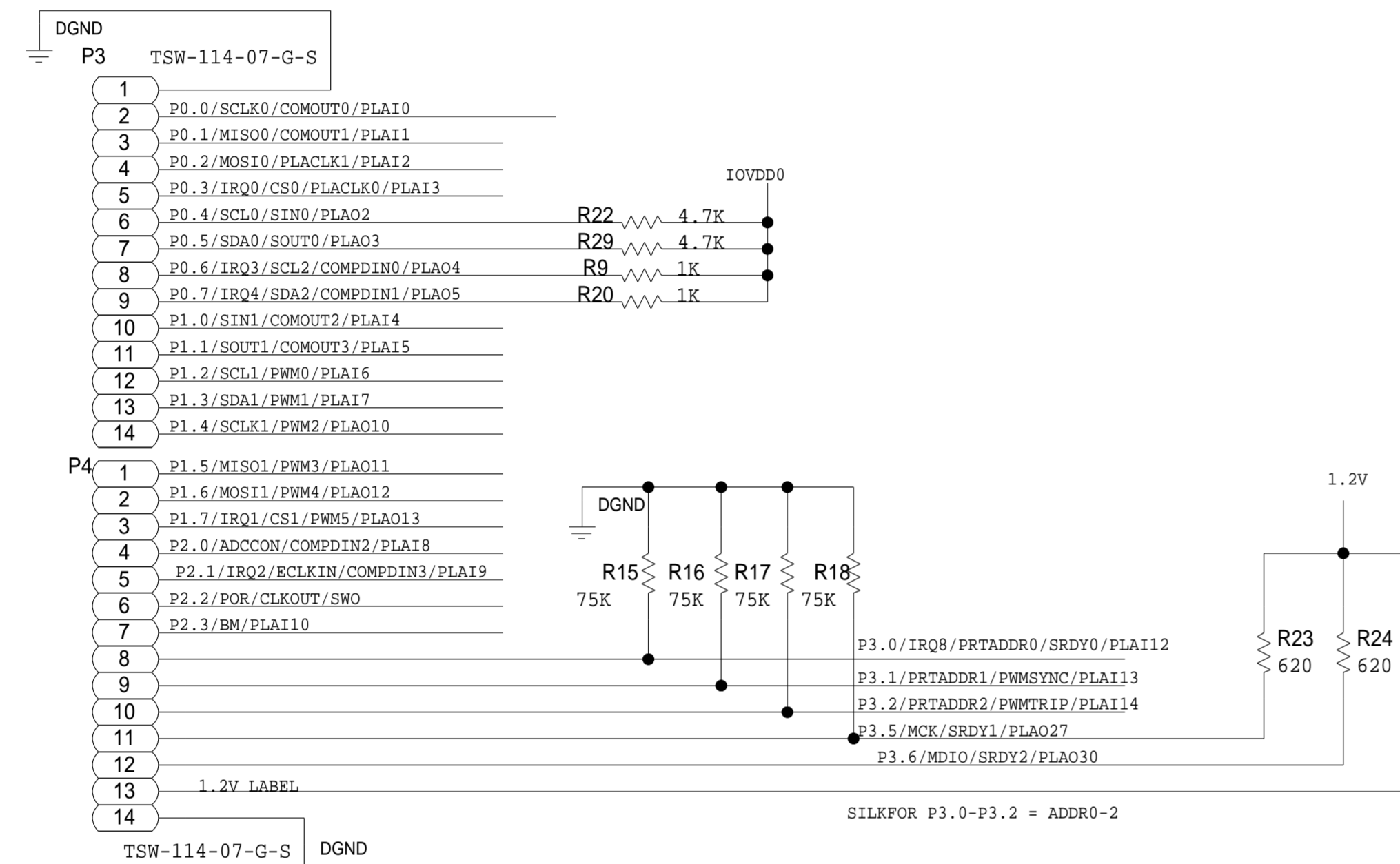
THIS DRAWING IS THE PROPERTY OF ANALOG DEVICES INC. IT IS NOT TO BE REPRODUCED OR COPIED, IN WHOLE OR IN PART, OR USED IN ANY MANNER WITHOUT THE WRITTEN PERMISSION OF ANALOG DEVICES. THE EQUIPMENT SHOWN HEREON MAY BE PROTECTED BY PATENTS OWNED OR CONTROLLED BY ANALOG DEVICES.

REVISIONS			
REV	DESCRIPTION	DATE	APPROVED

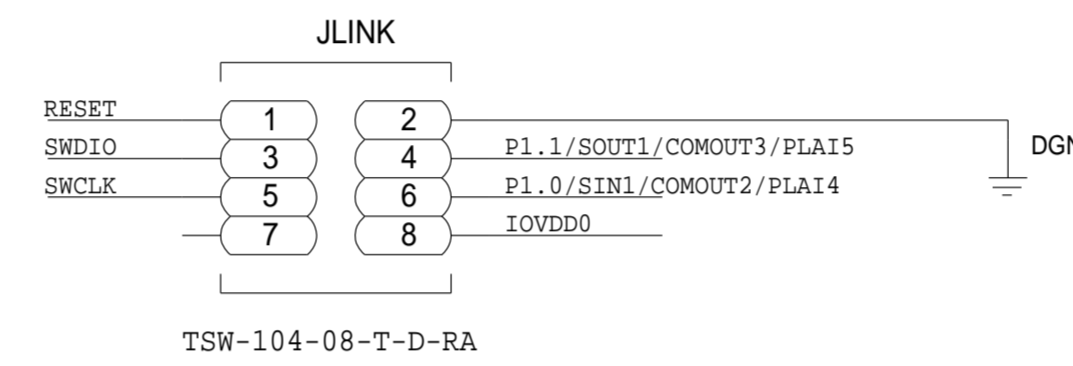
DIGITAL I/O

DIGITAL PINS

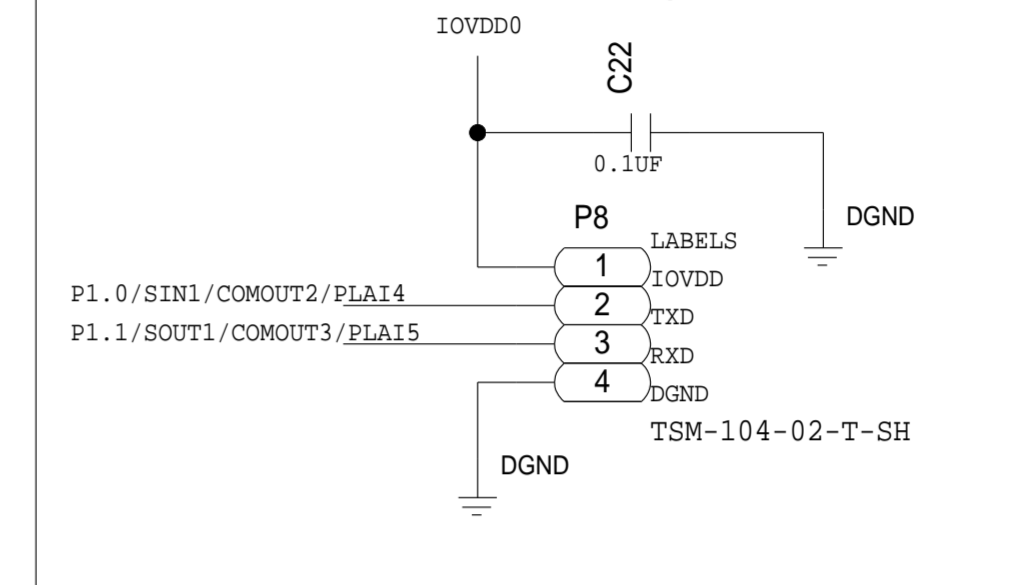
SILK LABEL SHOULD BE PX.X ONLY



INTERFACE BOARD CONNECTOR FOR SERIAL WIRE PROGRAMMING/DEBUG

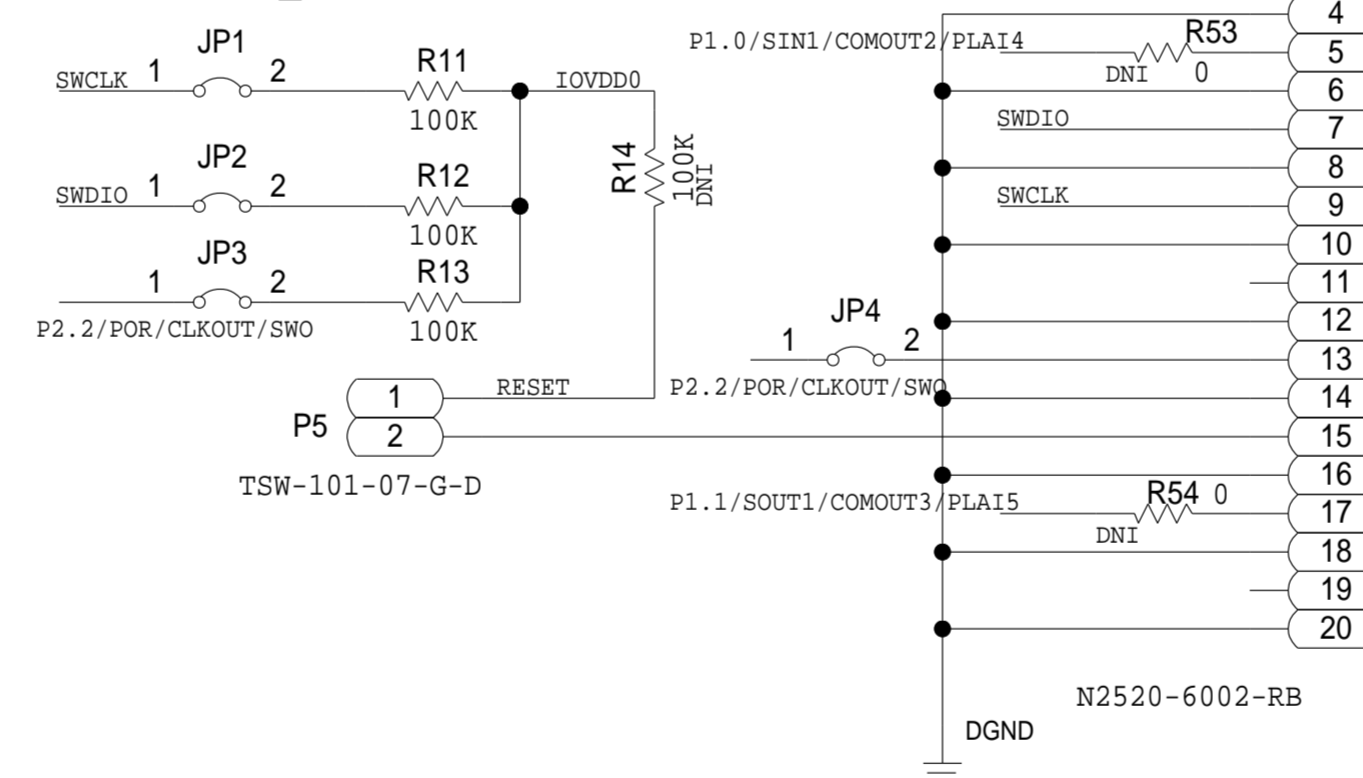


HEADER UART

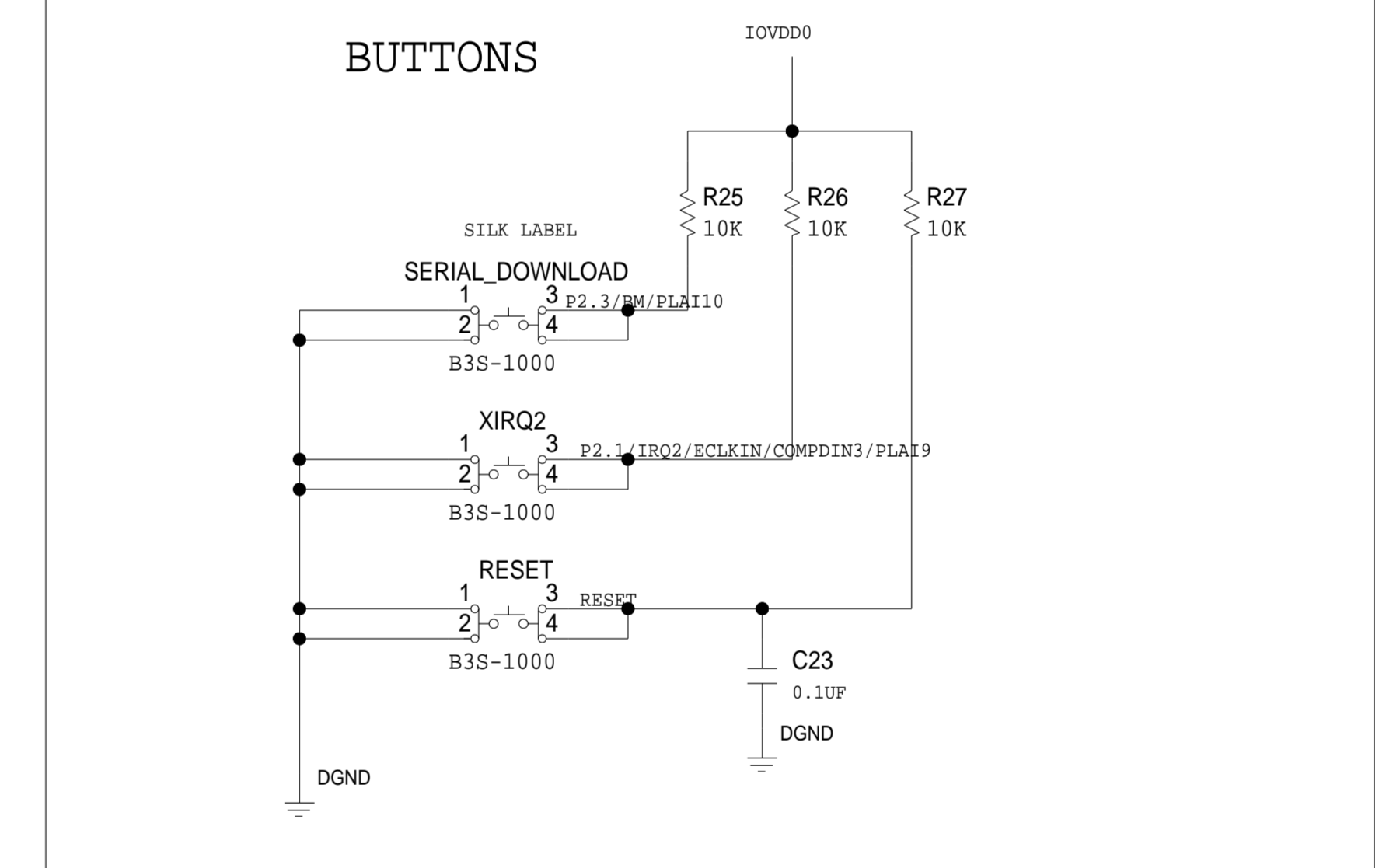


MIDAS LINK CONNECTOR

OPTIONAL PULL UPS FOR SW LINES



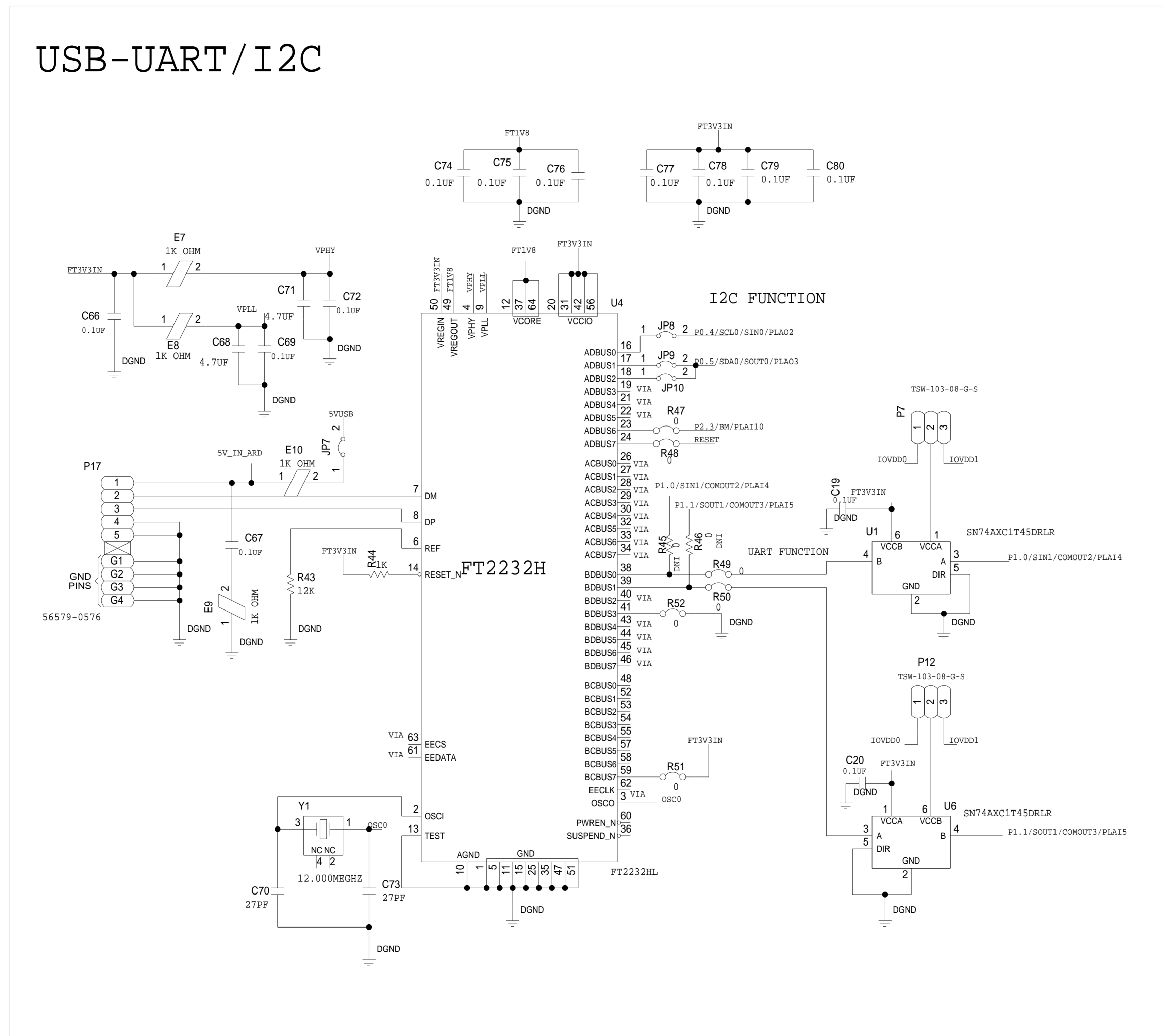
BUTTONS



	SCHEMATIC		
	HW TYPE : Customer Evaluation Z Product(s) : ADuCM420 : EV-ADuCM420QSP1Z		
	DESIGN VIEW <DESIGN_VIEW>	DRAWING NO. 02_065549	REV A
	PTD ENGINEER A. HERNANDEZ	SIZE D	SCALE 1:1
SHEET 3 OF 7			

REVISIONS			
REV	DESCRIPTION	DATE	APPROVED

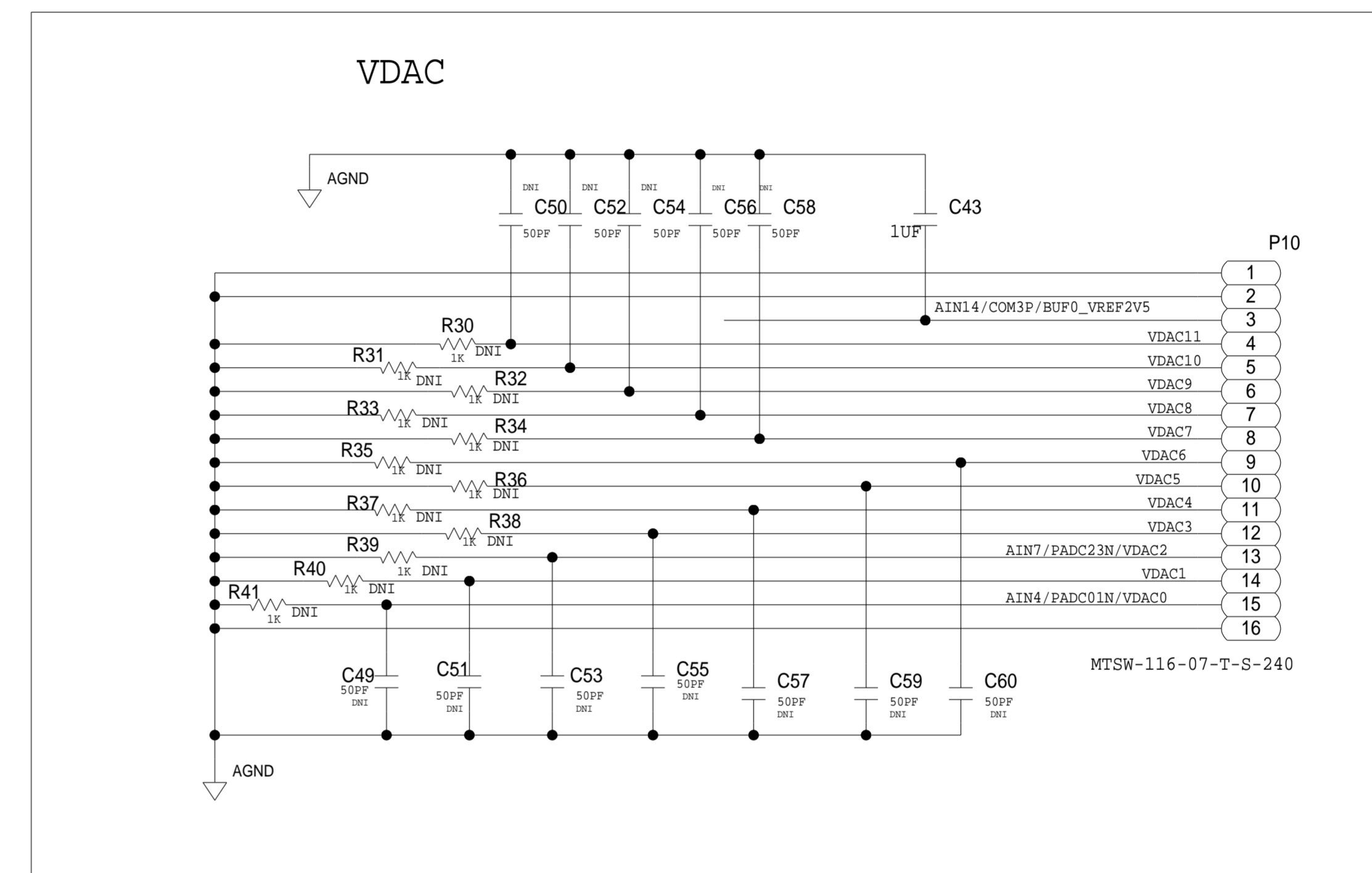
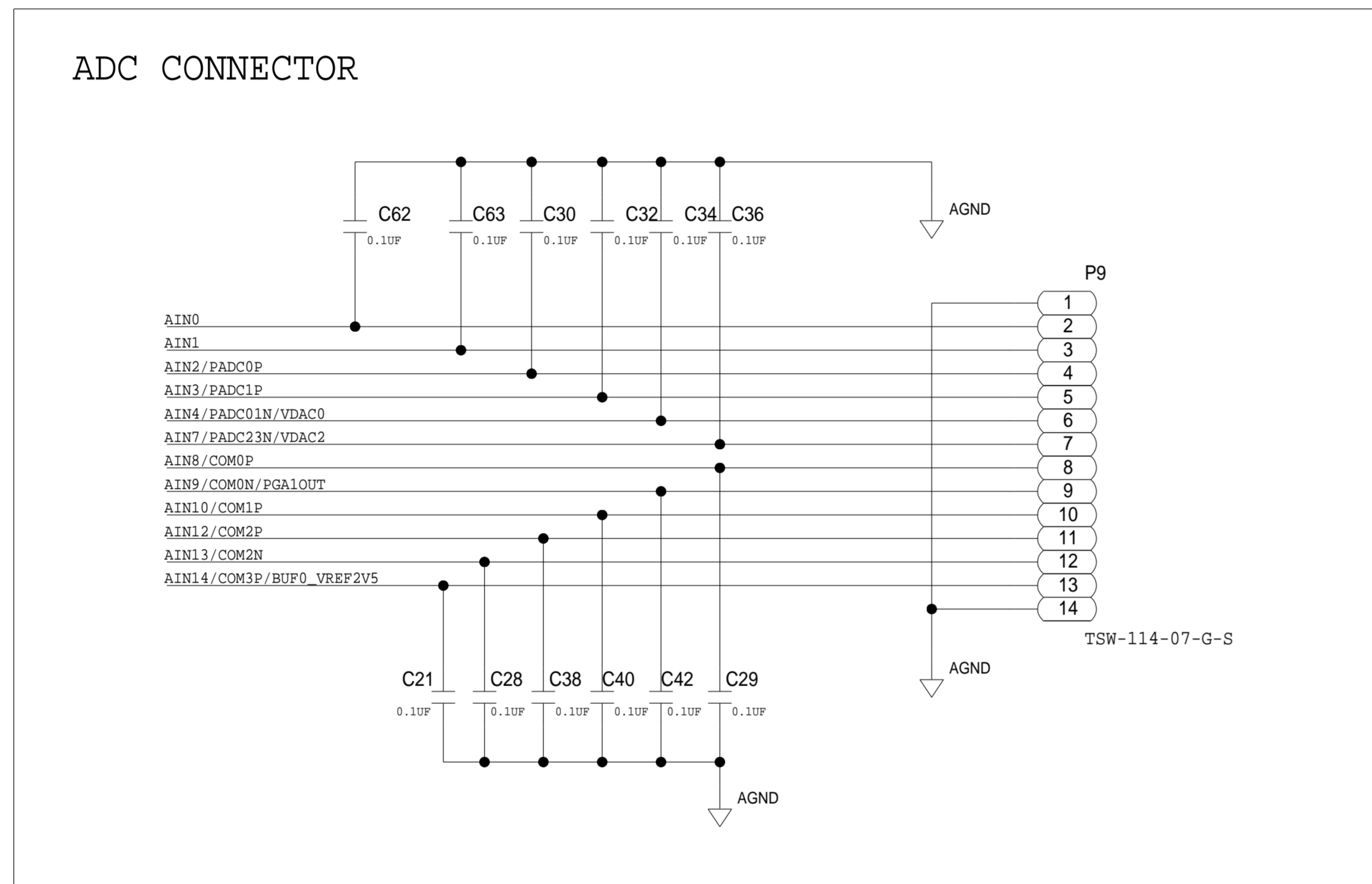
USB-UART/I2C



	SCHEMATIC		
	HW TYPE : Customer Evaluation Z Product(s) : ADuCM420 : EV-ADuCM420QSP1Z		
	DESIGN VIEW <DESIGN_VIEW>	DRAWING NO. 02_065549	REV A
	PTD ENGINEER A. HERNANDEZ	SIZE D	SCALE 1:1
		SHEET 4	OF 7

REVISIONS			
REV	DESCRIPTION	DATE	APPROVED

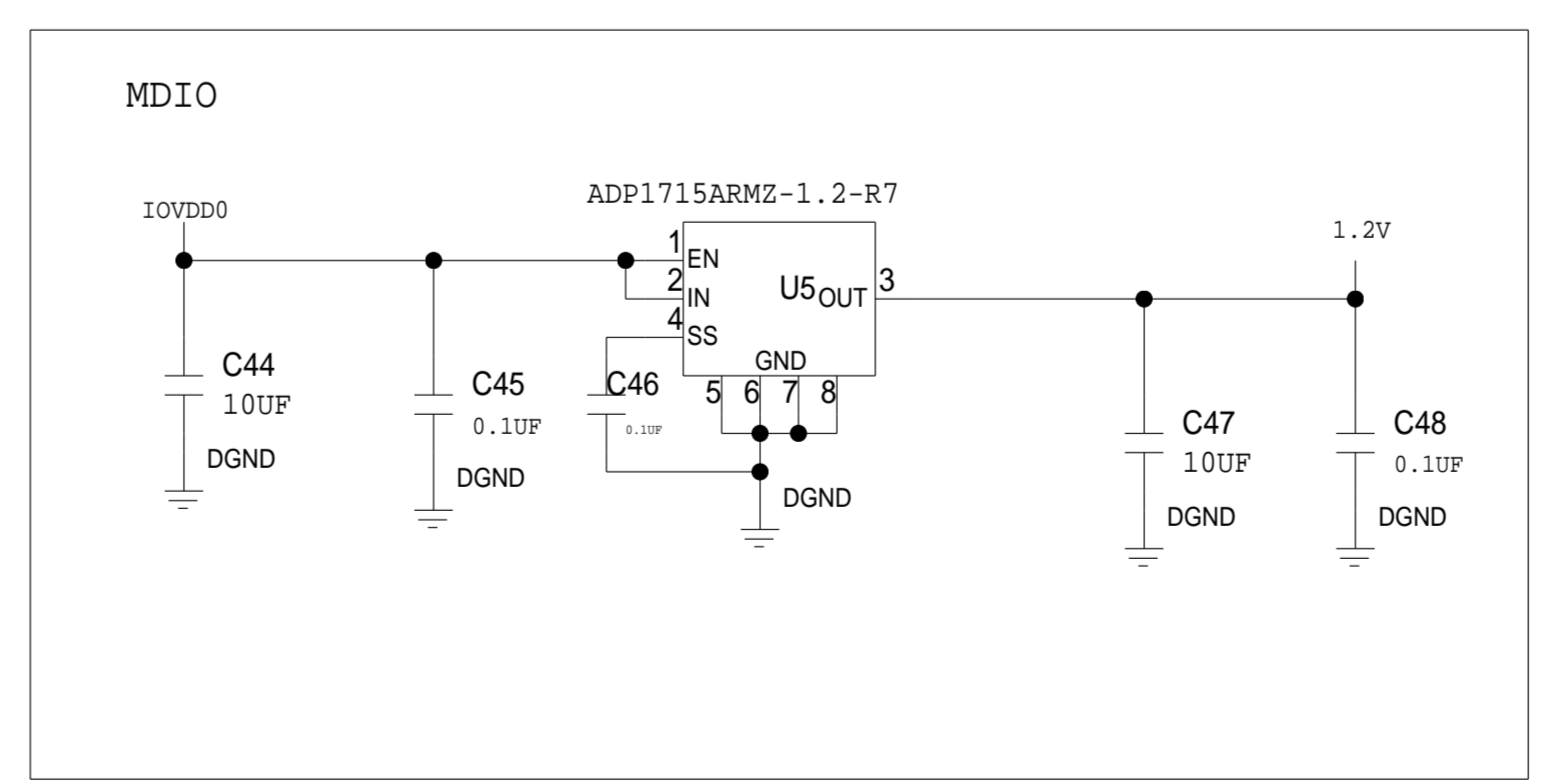
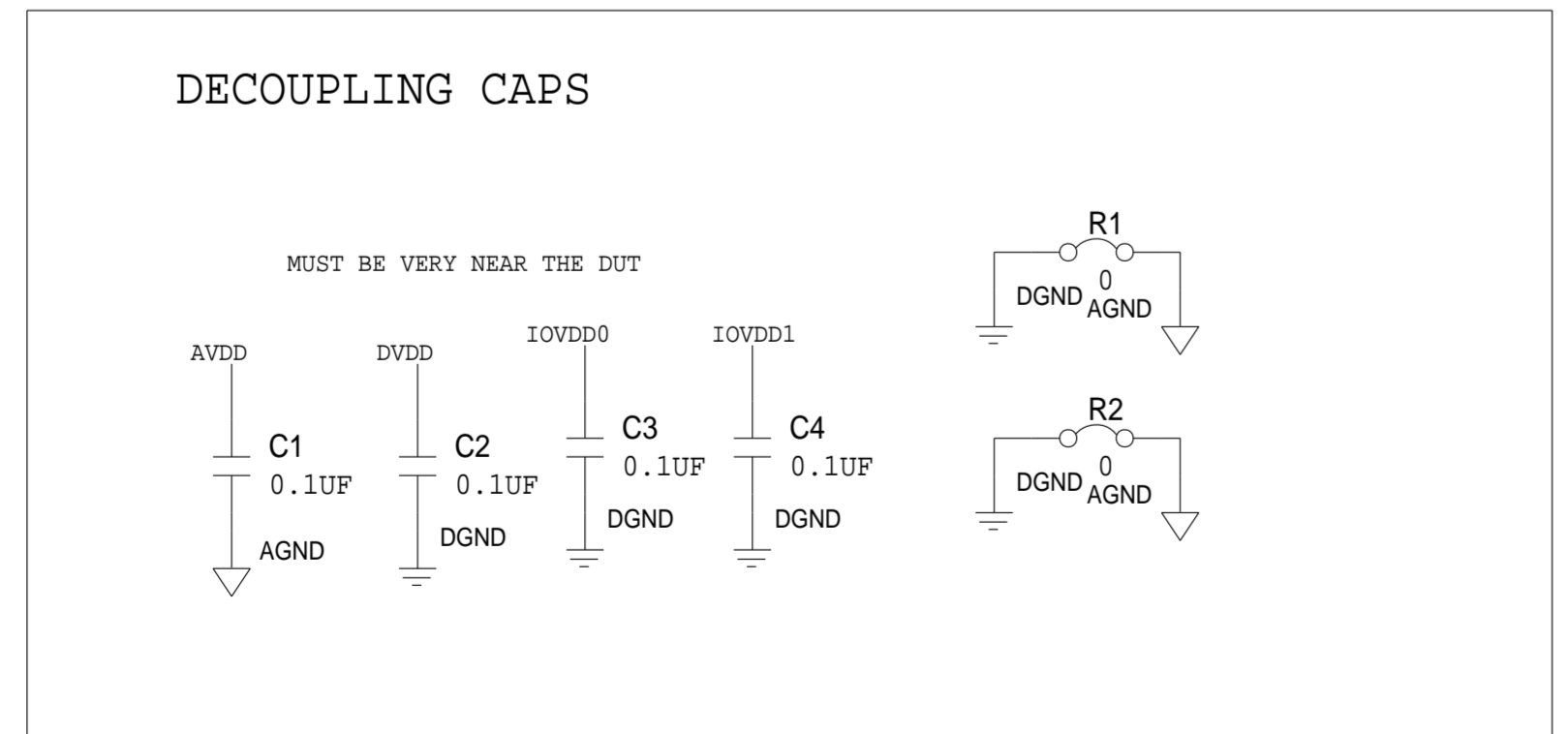
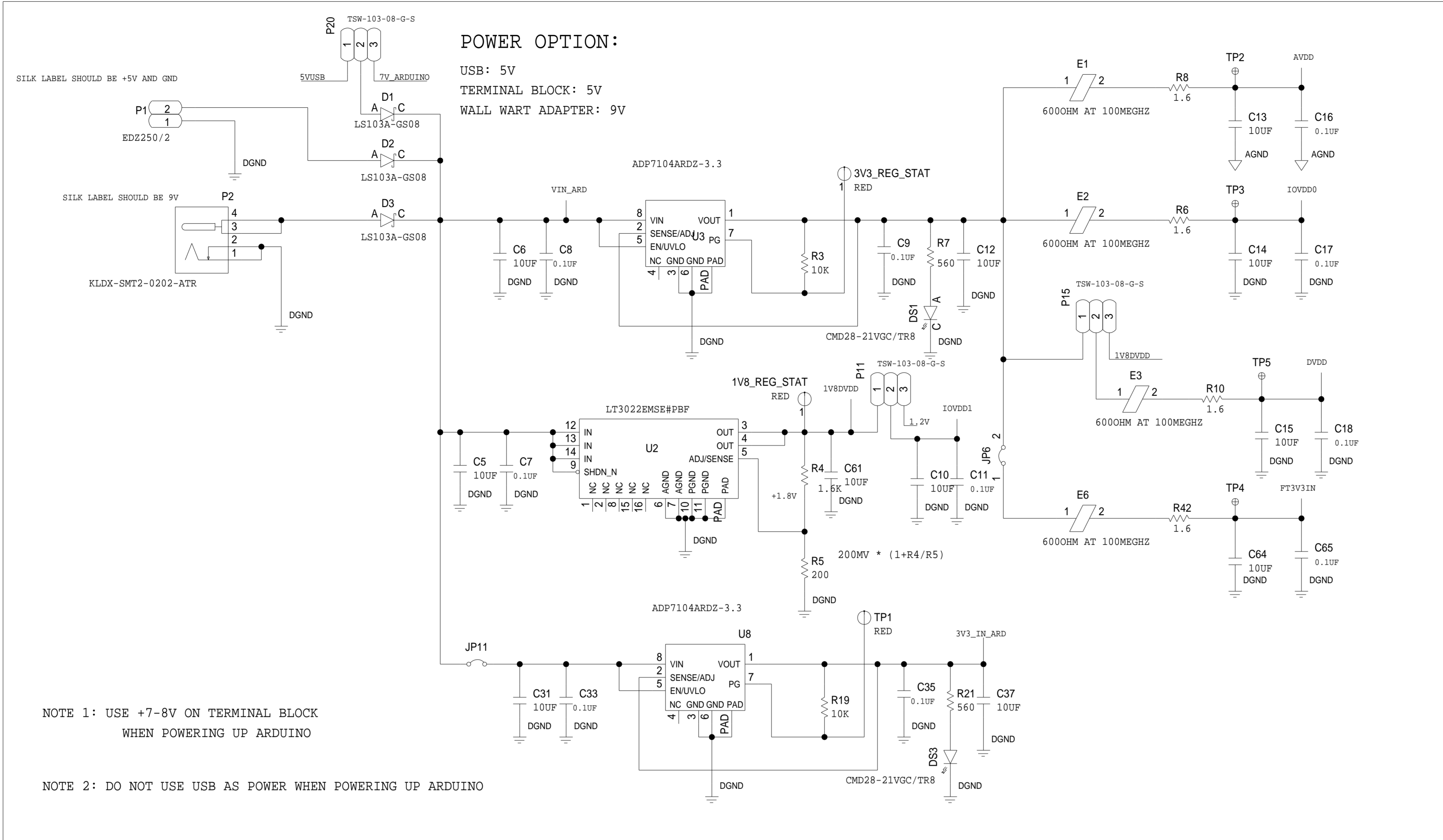
ADC / VDAC



	SCHEMATIC		
	HW TYPE : Customer Evaluation Z Product(s) : ADuCM420 : EV-ADuCM420QSP1Z		
	DESIGN VIEW <DESIGN_VIEW>	DRAWING NO. 02_065549	REV A
	PTD ENGINEER A. HERNANDEZ	SIZE D	SCALE 1:1
SHEET 5 OF 7			

REVISIONS			
REV	DESCRIPTION	DATE	APPROVED

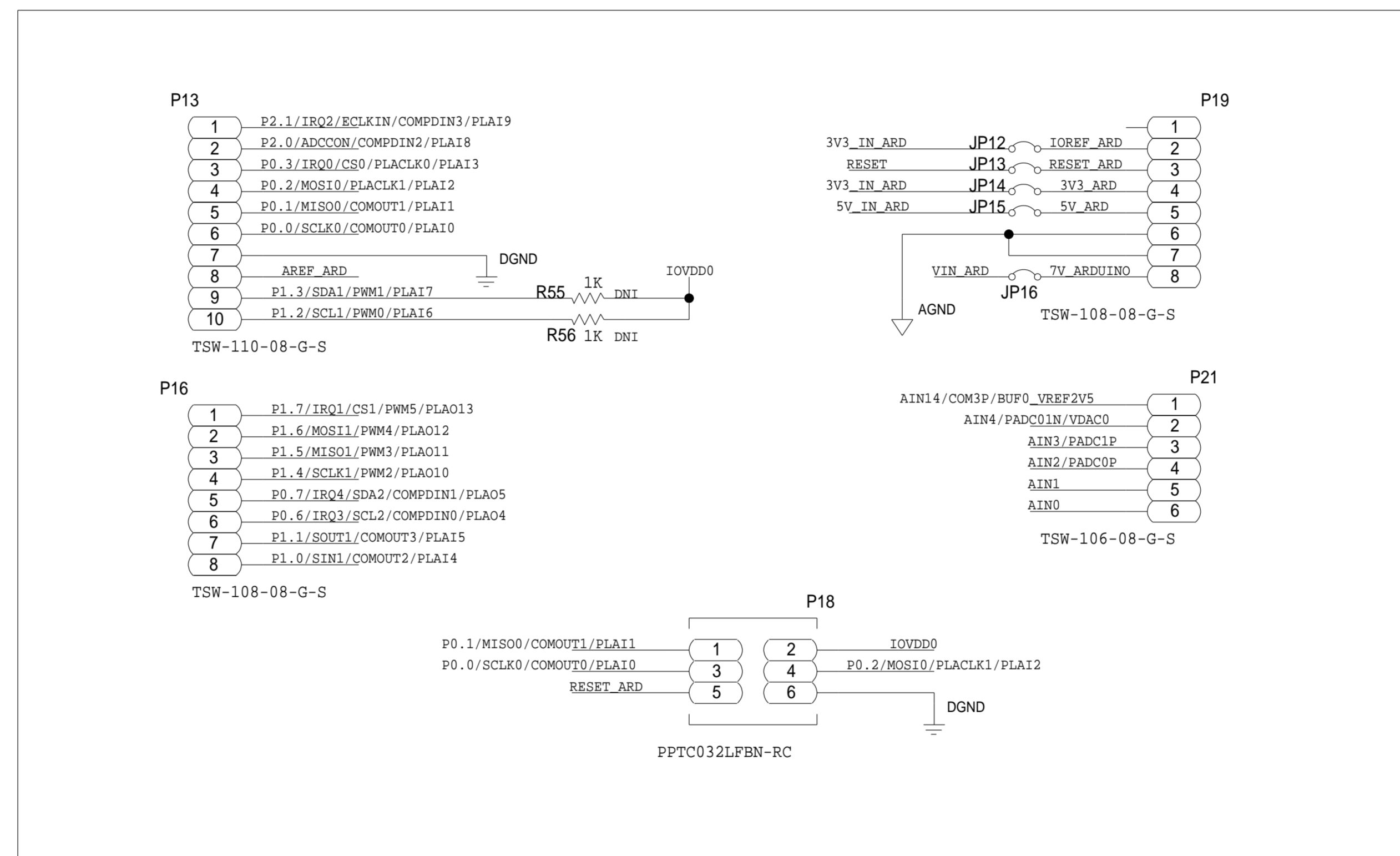
POWER



	SCHEMATIC		
	HW TYPE : Customer Evaluation Z Product(s) : ADuCM420 : EV-ADuCM420QSP1Z		
	DESIGN VIEW <DESIGN_VIEW>	DRAWING NO. 02_065549	REV A
PTD ENGINEER A. HERNANDEZ	SIZE D	SCALE 1:1	SHEET 6 OF 7

REVISIONS			
REV	DESCRIPTION	DATE	APPROVED

ARDUINO HEADERS



	SCHEMATIC		
	HW TYPE : Customer Evaluation Z Product(s) : ADuCM420 : EV-ADuCM420QSP1Z		
	DESIGN VIEW <DESIGN_VIEW>	DRAWING NO. 02_065549	REV A
	PTD ENGINEER A. HERNANDEZ	SIZE D	SCALE 1:1
		SHEET 7 OF 7	