

4

3

2

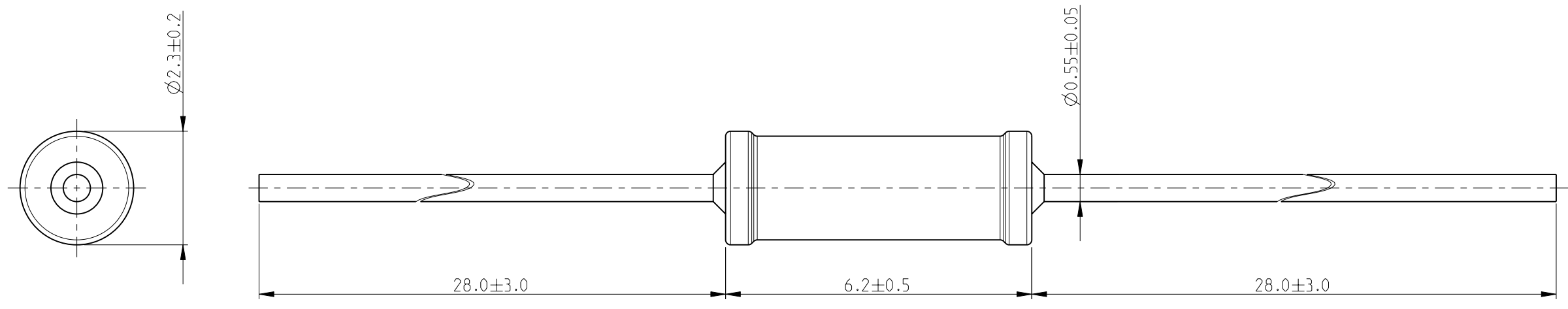
1

THIS DRAWING IS UNPUBLISHED. RELEASED FOR PUBLICATION 2010

© COPYRIGHT 2010 BY TYCO ELECTRONICS CORPORATION. ALL RIGHTS RESERVED.

LOC	DIST	REVISIONS			
P	LTR	DESCRIPTION	DATE	DWN	APVD
E	B	BA	NEW RELEASE	19-FEB-10	MRS St.P

FOR FURTHER INFORMATION SEE DATA SHEET FOR SERIES LR, METAL FILM FIXED RESISTORS



RoHS Compliant

<small>THIS DRAWING IS A CONTROLLED DOCUMENT FOR TYCO ELECTRONICS CORPORATION IT IS SUBJECT TO CHANGE AND THE CONTROLLING ENGINEERING ORGANIZATION SHOULD BE CONTACTED FOR THE LATEST REVISION.</small>	
DIMENSIONS:	TOLERANCES UNLESS OTHERWISE SPECIFIED:
mm	
	0 PLC ± 0.2
	1 PLC ± 0.1
	2 PLC ± -
	3 PLC ± -
	4 PLC ± -
	ANGLES ± 5°
MATERIAL -	FINISH -

DWN	19-FEB-10
MAHARUDRA	
CHK	19-FEB-10
ALLAN.P	
APVD	19-FEB-10
STEPHEN.P	
PRODUCT SPEC	-
APPLICATION SPEC	-
WEIGHT	-
CUSTOMER DRAWING	

Tyco Electronics Corporation Dorcan, Swindon, SN3 5HH			
NAME			
METAL FILM FIXED RESISTORS SERIES LR1			
SIZE	CAGE CODE	DRAWING NO	RESTRICTED TO
A3	00779	1622381	-
SCALE 10:1		SHEET 1 OF 1	REV BA