

# Aluminum Electrolytic Capacitors

## Power High Ripple Current Miniaturized Snap-In



### LINKS TO ADDITIONAL RESOURCES

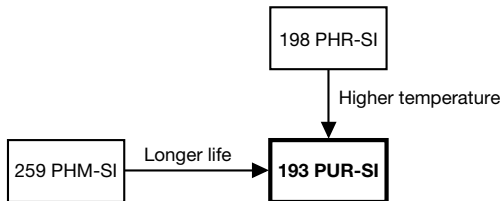


Fig. 1

QUICK REFERENCE DATA	
DESCRIPTION	VALUE
Nominal case size (Ø D x L in mm)	22 x 25 to 35 x 60
Rated capacitance range, C <sub>R</sub>	47 μF to 820 μF
Tolerance on C <sub>R</sub>	± 20 %
Rated voltage range, U <sub>R</sub>	400 V to 450 V   500 V
Category temperature range	-40 °C to 105 °C   -25 °C to 105 °C
Endurance test at 105 °C	2000 h
Useful life at 105 °C	5000 h
Shelf life at 0 V, 105 °C	1000 h
Based on sectional specification	IEC 60384-4 / EN 130300
Climatic category IEC 60068	40 / 105 / 56   25 / 105 / 56

### FEATURES

- Compact design
- Useful life: 5000 h at 105 °C
- > 25 years 24/7 application life at 60 °C
- Available up to 500 V
- 10 % to 30 % higher ripple current than similar sized standard products
- Keyed polarity snap-in version available
- Material categorization: for definitions of compliance please see [www.vishay.com/doc?99912](http://www.vishay.com/doc?99912)


**RoHS**  
COMPLIANT

### APPLICATIONS

- Solar PV inverters
- Motor controls / small drives
- Standard and switched mode power supplies
- Industrial air conditioning
- Industrial lamp driver
- Welding / cutting / melting
- Uninterruptible power supply (UPS)

### MARKING

The capacitors are marked (where possible) with the following information:

- Rated capacitance (in μF)
- Tolerance code on rated capacitance, code letter in accordance with IEC 60062 (M for ± 20 %)
- Rated voltage (in V)
- Date code (YYMM or in 2 digits according to IEC 60062)
- Name of manufacturer
- Code for factory of origin
- “-” sign to identify the negative terminal, visible from the top and side of the capacitor
- Code number, at least last 8 digits 193 xxxxx
- Climatic category in accordance with IEC 60068

SELECTION CHART FOR C <sub>R</sub> , U <sub>R</sub> , AND RELEVANT NOMINAL CASE SIZES (Ø D x L in mm)			
C <sub>R</sub> (μF)	U <sub>R</sub> (V)		
	400	450	500
47	-	-	22 x 25
56	-	-	25 x 25
68	22 x 25	22 x 25	22 x 30
82	-	22 x 30 25 x 25	22 x 35 25 x 30
100	22 x 30 25 x 25	-	22 x 40
120	-	22 x 35 25 x 30 30 x 25	25 x 35 30 x 30 35 x 25

<b>SELECTION CHART FOR <math>C_R</math>, <math>U_R</math>, AND RELEVANT NOMINAL CASE SIZES (<math>\varnothing D \times L</math> in mm)</b>			
$C_R$ ( $\mu F$ )	$U_R$ (V)		
	400	450	500
150	22 x 35 25 x 30 30 x 25	22 x 40 25 x 35	25 x 45
180	22 x 45 25 x 35	25 x 40 30 x 30 35 x 25	30 x 35 35 x 30
220	25 x 40 30 x 30	25 x 50 30 x 35 35 x 30	30 x 40
270	25 x 50 30 x 35	30 x 40	30 x 50 35 x 35
330	30 x 40 35 x 30	35 x 35	35 x 45
390	30 x 45	35 x 40	35 x 50
470	30 x 50 35 x 40	35 x 50	35 x 55
560	35 x 45	35 x 55	-
680	35 x 50	-	-
820	35 x 60	-	-

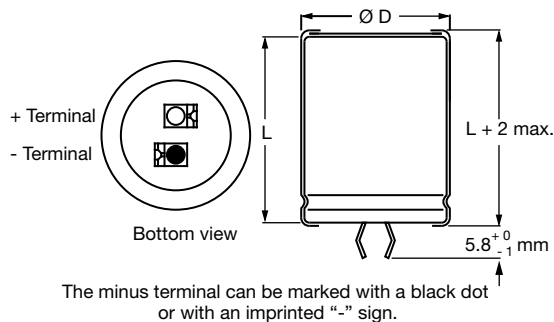
**DIMENSIONS** in millimeters **AND AVAILABLE FORMS**
**TWO TERMINAL SNAP-IN**


Fig. 2 - Two terminal snap-in

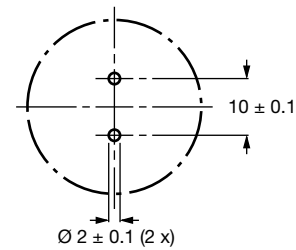


Fig. 3 - Mounting hole diagram

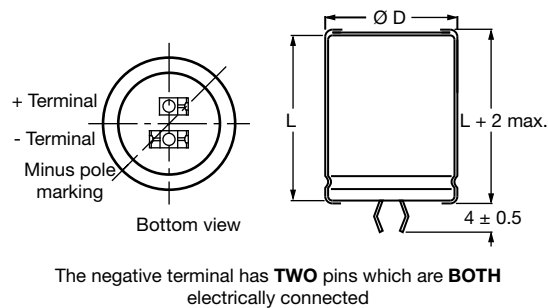
**THREE TERMINAL SNAP-IN**


Fig. 4 - Three terminal snap-in

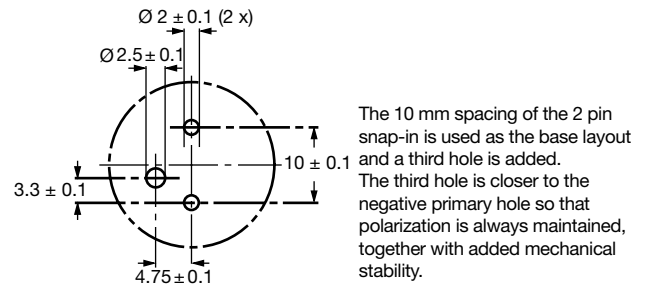


Fig. 5 - Mounting hole diagram



Table 1

<b>DIMENSIONS</b> in millimeters, <b>MASS AND PACKAGING QUANTITIES</b>					
<b>NOMINAL CASE SIZE</b> Ø D x L	<b>Ø D<sub>max.</sub></b>	<b>L<sub>max.</sub></b>	<b>MASS</b> (g)	<b>PACKAGING QUANTITIES</b> (units per box)	<b>CARDBOARD BOX DIMENSIONS</b> L x W x H
22 x 25	23	27	≈ 12	100	260 x 250 x 39
22 x 30	23	32	≈ 16	100	260 x 250 x 44
22 x 35	23	37	≈ 20	100	260 x 250 x 49
22 x 40	23	42	≈ 23	100	260 x 250 x 54
22 x 45	23	47	≈ 26	100	260 x 250 x 59
25 x 25	26	27	≈ 20	100	290 x 280 x 39
25 x 30	26	32	≈ 22	100	290 x 280 x 44
25 x 35	26	37	≈ 24	100	290 x 280 x 49
25 x 40	26	42	≈ 27	100	290 x 280 x 54
25 x 45	26	47	≈ 32	100	290 x 280 x 59
25 x 50	26	52	≈ 38	100	290 x 280 x 64
30 x 25	31	27	≈ 25	100	340 x 330 x 39
30 x 30	31	32	≈ 30	100	340 x 330 x 44
30 x 35	31	37	≈ 35	100	340 x 330 x 49
30 x 40	31	42	≈ 40	100	340 x 330 x 54
30 x 45	31	47	≈ 45	100	340 x 330 x 59
30 x 50	31	52	≈ 50	100	340 x 330 x 64
35 x 25	36	27	≈ 33	50	390 x 198 x 39
35 x 30	36	32	≈ 40	50	390 x 198 x 44
35 x 35	36	37	≈ 48	50	390 x 198 x 49
35 x 40	36	42	≈ 55	50	390 x 198 x 54
35 x 45	36	47	≈ 63	50	390 x 198 x 59
35 x 50	36	52	≈ 72	50	390 x 198 x 64
35 x 55	36	57	≈ 80	50	390 x 198 x 69
35 x 60	36	62	≈ 82	50	390 x 198 x 74

<b>ELECTRICAL DATA</b>	
<b>SYMBOL</b>	<b>DESCRIPTION</b>
C <sub>R</sub>	Rated capacitance at 100 Hz
I <sub>R</sub>	Rated RMS ripple current at 100 Hz, 105 °C
I <sub>L5</sub>	Max. leakage current after 5 min at U <sub>R</sub>
ESR	Typ. / max. equivalent series resistance at 100 Hz
Z	Typ. / max. impedance at 10 kHz

**Notes**

- Unless otherwise specified, all electrical values in Table 2 apply at T<sub>amb</sub> = 20 °C, P = 86 kPa to 106 kPa, RH = 45 % to 75 %

**ORDERING EXAMPLE**

Electrolytic capacitor 193 series

330 µF / 450 V; ± 20 %

Nominal case size: Ø 35 mm x 35 mm

**2-terminal snap-in:**

Ordering code: MAL219357331E3

**3-terminal snap-in:**

Ordering code: MAL219317331E3



Table 2

ELECTRICAL DATA AND ORDERING INFORMATION								
U <sub>R</sub> (V)	C <sub>R</sub> 100 Hz (µF)	NOMINAL CASE SIZE Ø D x L (mm)	I <sub>R</sub> 100 Hz 105 °C (A)	I <sub>L</sub> 5 min (mA)	MAX. ESR 100 Hz (mΩ)	MAX. Z 10 kHz (mΩ)	ORDERING CODE MAL2193.....	
							2-TERM.	3-TERM.
400	68	22 x 25	0.69	0.27	1150	640	56689E3	16689E3
	100	22 x 30	0.87	0.40	790	440	56101E3	16101E3
	100	25 x 25	0.87	0.40	800	460	66101E3	26101E3
	150	22 x 35	1.11	0.60	530	300	66151E3	26151E3
	150	25 x 30	1.1	0.60	540	310	56151E3	16151E3
	150	30 x 25	1.13	0.60	570	330	76151E3	36151E3
	180	22 x 45	1.32	0.72	440	250	56181E3	16181E3
	180	25 x 35	1.26	0.72	450	250	66181E3	26181E3
	220	25 x 40	1.45	0.88	370	210	66221E3	26221E3
	220	30 x 30	1.41	0.88	390	230	76221E3	36221E3
	270	25 x 50	1.78	1.08	300	170	56271E3	16271E3
	270	30 x 35	1.62	1.08	320	190	66271E3	26271E3
	330	30 x 40	1.84	1.32	260	155	56331E3	16331E3
	330	35 x 30	1.78	1.32	300	190	66331E3	26331E3
	390	30 x 45	2.08	1.56	220	130	56391E3	16391E3
	390	35 x 35	2.02	1.56	240	150	66391E3	26391E3
	470	30 x 50	2.36	1.88	190	110	56471E3	16471E3
470	35 x 40	2.26	1.88	210	130	66471E3	26471E3	
560	35 x 45	2.52	2.24	170	110	56561E3	16561E3	
680	35 x 50	2.82	2.72	150	90	56681E3	16681E3	
820	35 x 60	3.27	3.28	120	80	56821E3	16821E3	
450	68	22 x 25	0.7	0.31	1080	590	57689E3	17689E3
	82	22 x 30	0.8	0.37	890	490	67829E3	27829E3
	82	25 x 25	0.8	0.37	910	500	57829E3	17829E3
	120	22 x 35	1.01	0.54	610	340	57121E3	17121E3
	120	25 x 30	1.01	0.54	630	350	67121E3	27121E3
	120	30 x 25	1.04	0.54	650	370	77121E3	37121E3
	150	22 x 40	1.18	0.68	490	270	57151E3	17151E3
	150	25 x 35	1.17	0.68	500	280	67151E3	27151E3
	180	25 x 40	1.34	0.81	420	230	57181E3	17181E3
	180	30 x 30	1.31	0.81	440	250	67181E3	27181E3
	180	35 x 25	1.36	0.81	480	290	77181E3	37181E3
	220	25 x 50	1.63	0.99	350	190	57221E3	17221E3
	220	30 x 35	1.5	0.99	370	210	67221E3	27221E3
	220	35 x 30	1.58	0.99	390	230	77221E3	37221E3
	270	30 x 40	1.71	1.22	300	180	57271E3	17271E3
	330	35 x 35	1.91	1.49	270	160	57331E3	17331E3
	390	35 x 40	2.13	1.76	230	140	57391E3	17391E3
470	35 x 50	2.53	2.12	180	110	57471E3	17471E3	
560	35 x 55	2.78	2.52	160	100	57561E3	17561E3	
500	47	22 x 25	0.57	0.24	3220	2370	59479E3	19479E3
	56	25 x 25	0.65	0.28	2710	2000	59569E3	19569E3
	68	22 x 30	0.71	0.34	2230	1640	59689E3	19689E3
	82	22 x 35	0.82	0.41	1840	1360	59829E3	19829E3
	82	25 x 30	0.82	0.41	1850	1370	69829E3	29829E3
	100	22 x 40	0.94	0.50	1520	1120	59101E3	19101E3
	120	25 x 35	1.03	0.60	1280	940	59121E3	19121E3
	120	30 x 30	1.07	0.60	1290	950	69121E3	29121E3
	120	35 x 25	1.14	0.60	1320	1000	79121E3	39121E3
	150	25 x 45	1.26	0.75	1020	750	59151E3	19151E3
	180	30 x 35	1.34	0.90	870	650	59181E3	19181E3
	180	35 x 30	1.42	0.90	890	670	69181E3	29181E3
	220	30 x 40	1.53	1.10	710	540	59221E3	19221E3
	270	30 x 50	1.85	1.35	580	440	59271E3	19271E3
	270	35 x 35	1.74	1.35	610	460	69271E3	29271E3
	330	35 x 45	2.06	1.65	490	370	59331E3	19331E3
	390	35 x 50	2.3	1.95	410	310	59391E3	19391E3
470	35 x 55	2.55	2.35	360	260	59471E3	19471E3	



ADDITIONAL ELECTRICAL DATA		
PARAMETER	CONDITIONS	VALUE
<b>Voltage</b>		
Surge voltage	≥ 400 V versions	$U_S = 1.1 \times U_R$
Reverse voltage	≤ 1 V	-
<b>Current</b>		
Leakage current	After 5 min at $U_R$	$I_{L5} \leq 0.01 C_R \times U_R$
<b>Inductance</b>		
Equivalent series inductance (ESL)	All case sizes	Typ. 19 nH
		Max. 25 nH

**RIPPLE CURRENT AND USEFUL LIFE**

MGA454

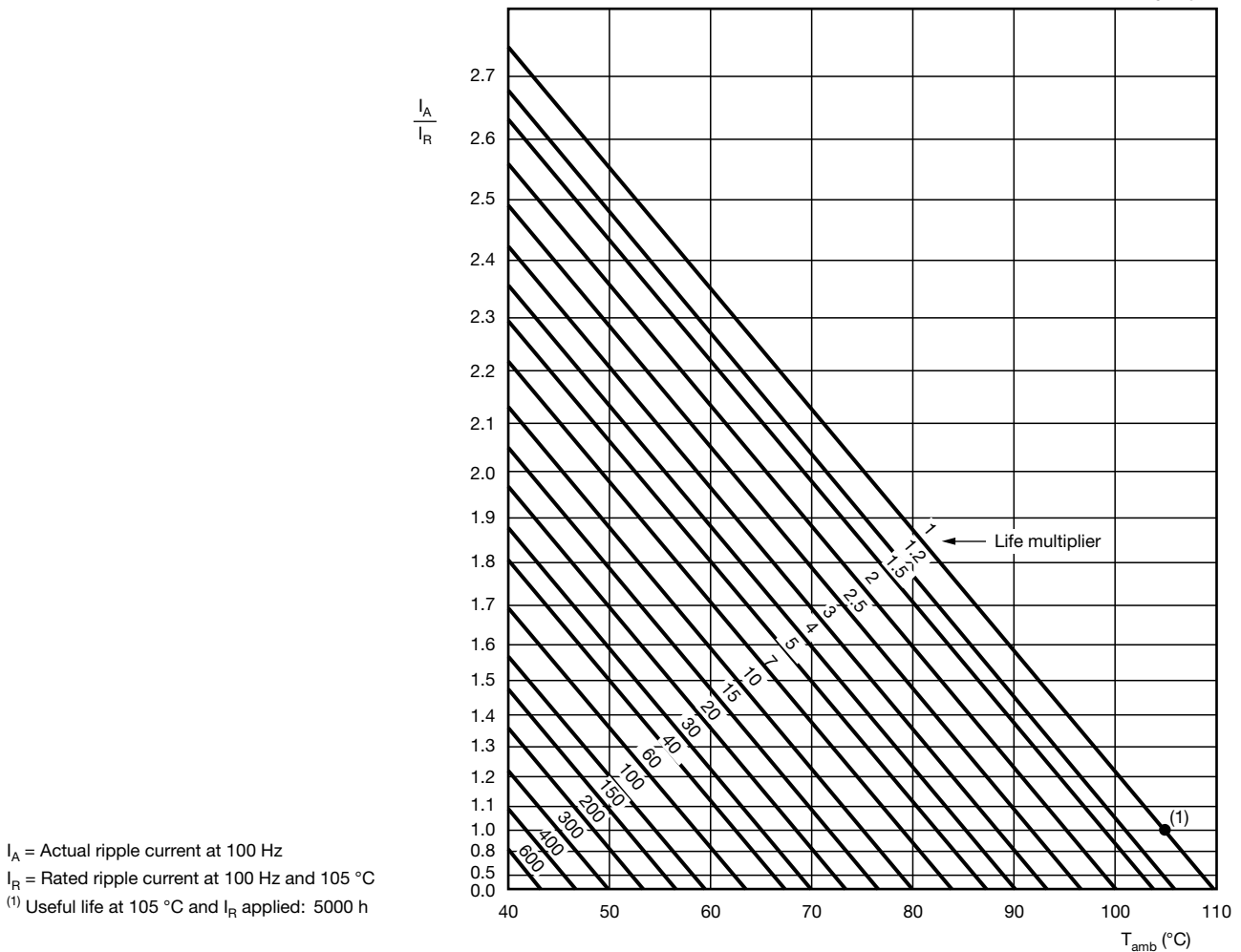


Fig. 6 - Multiplier of useful life as a function of ambient temperature and ripple current load



Table 3

ENDURANCE TEST DURATION AND USEFUL LIFE	
ENDURANCE AT 105 °C (h)	USEFUL LIFE AT 105 °C (h)
2000	5000

**Note**

- Multiplier of useful life code: MGA454

Table 4

MULTIPLIER OF RIPPLE CURRENT ( $I_R$ ) AS A FUNCTION OF FREQUENCY					
FREQUENCY (Hz)					
50	100	120	200	1000	≥ 10 000
$I_R$ MULTIPLIER					
0.8	1.0	1.05	1.2	1.4	1.5

Table 5

TEST PROCEDURES AND REQUIREMENTS			
TEST		PROCEDURE (quick reference)	REQUIREMENTS
NAME OF TEST	REFERENCE		
Endurance	IEC 60384-4 / EN 130300 subclause 4.13	$T_{amb} = 105\text{ °C}$ ; $U_R$ applied; 2000 h	$\Delta C/C: \pm 15\%$ $ESR \leq 1.3 \times \text{spec. limit}$ $I_{L5} \leq \text{spec. limit}$
Useful life	CECC 30301 subclause 1.8.1	$T_{amb} = 105\text{ °C}$ ; $U_R$ and $I_R$ applied; 5000 h	$\Delta C/C: \pm 30\%$ $ESR \leq 3 \times \text{spec. limit}$ $I_{L5} \leq \text{spec. limit}$ total failure percentage: $\leq 3\%$
Shelf life (storage at high temperature)	IEC 60384-4 / EN 130300 subclause 4.17	$T_{amb} = 105\text{ °C}$ ; no voltage applied; 1000 h after test: $U_R$ to be applied for 30 min, 24 h to 48 h before measurement	$\Delta C/C: \pm 15\%$ $ESR \leq 1.5 \times \text{spec. limit}$ $I_{L5} \leq \text{spec. limit}$

Statements about product lifetime are based on calculations and internal testing. They should only be interpreted as estimations. Also due to external factors, the lifetime in the field application may deviate from the calculated lifetime. In general, nothing stated herein shall be construed as a guarantee of durability.



## Disclaimer

ALL PRODUCT, PRODUCT SPECIFICATIONS AND DATA ARE SUBJECT TO CHANGE WITHOUT NOTICE TO IMPROVE RELIABILITY, FUNCTION OR DESIGN OR OTHERWISE.

Vishay Intertechnology, Inc., its affiliates, agents, and employees, and all persons acting on its or their behalf (collectively, "Vishay"), disclaim any and all liability for any errors, inaccuracies or incompleteness contained in any datasheet or in any other disclosure relating to any product.

Vishay makes no warranty, representation or guarantee regarding the suitability of the products for any particular purpose or the continuing production of any product. To the maximum extent permitted by applicable law, Vishay disclaims (i) any and all liability arising out of the application or use of any product, (ii) any and all liability, including without limitation special, consequential or incidental damages, and (iii) any and all implied warranties, including warranties of fitness for particular purpose, non-infringement and merchantability.

Statements regarding the suitability of products for certain types of applications are based on Vishay's knowledge of typical requirements that are often placed on Vishay products in generic applications. Such statements are not binding statements about the suitability of products for a particular application. It is the customer's responsibility to validate that a particular product with the properties described in the product specification is suitable for use in a particular application. Parameters provided in datasheets and / or specifications may vary in different applications and performance may vary over time. All operating parameters, including typical parameters, must be validated for each customer application by the customer's technical experts. Product specifications do not expand or otherwise modify Vishay's terms and conditions of purchase, including but not limited to the warranty expressed therein.

Hyperlinks included in this datasheet may direct users to third-party websites. These links are provided as a convenience and for informational purposes only. Inclusion of these hyperlinks does not constitute an endorsement or an approval by Vishay of any of the products, services or opinions of the corporation, organization or individual associated with the third-party website. Vishay disclaims any and all liability and bears no responsibility for the accuracy, legality or content of the third-party website or for that of subsequent links.

Except as expressly indicated in writing, Vishay products are not designed for use in medical, life-saving, or life-sustaining applications or for any other application in which the failure of the Vishay product could result in personal injury or death. Customers using or selling Vishay products not expressly indicated for use in such applications do so at their own risk. Please contact authorized Vishay personnel to obtain written terms and conditions regarding products designed for such applications.

No license, express or implied, by estoppel or otherwise, to any intellectual property rights is granted by this document or by any conduct of Vishay. Product names and markings noted herein may be trademarks of their respective owners.