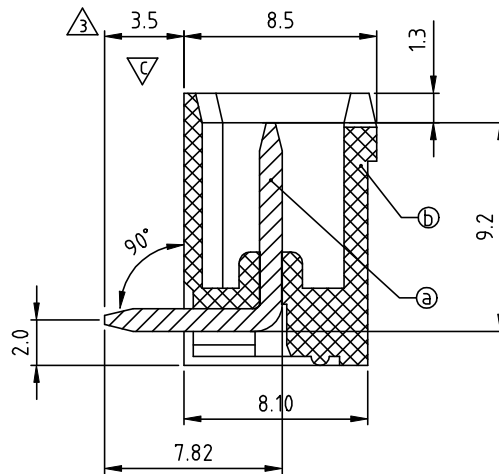


RECOMMENDED PCB LAYOUT



N = Number of poles

Dim A = (N x 5.08) + 2.0

Dim B = (N - 1) x 5.08

	Dim A	Dim B
2-6p	±0.15	±0.15
7-12p	±0.25	±0.25
13-18p	±0.30	±0.30
19-24p	±0.40	±0.40

SIGN	DATE	DESCRIPTION	APPROVER
△	8/16'06	Added VDE and TUV standard	Steady
△	8/16'06	Current rating (cULus) changed from 10A to 20A	Steady
△	1/20'07	Dimension changed from 4.0 to 3.5	Tony
△	1/20'07	Soldering temperature changed from 245° to 250°	Tony
△	2009.10.21	The material is changed from Brass to Copper	Jacke
△	2009.10.21	The operating temperature is changed	Jacke
△	2009.10.21	Remove the CSA certification	Jacke
△	2010.03.23	The design is changed	Jacke
△	2012.11.14	Change the electrical specification	Chen Bo
△	07/26-16	Add the product number	Evan

THIS IS CAD DRAWING, DO NOT REVISE MANUALLY!!!

Material:

- Item ③ Male contact pin: Copper Bright Tin plated over Nickel plated
- Item ④ Terminal(housing): Thermoplastic (UL94 V-0)

- △ Electrical: cULus /VDE /TUV
- Voltage rating: 300V/300V/300V
- Current rating: 20A/20A/20A
- Withstanding Voltage: 16 KV/2.5KV/2.5KV
- Operating temperature: -40°C to +115°C
- Soldering temperature: 260°C±5°C/5 Sec
- Safety Approval:
- Critical dimension:

OQ xx 5 4 x 1 xxxx G

- No. OF POLES: 02: 2 POLES, 24: 24 POLES
- COLOR: 0 Black (RAL9005), 2 Red (RAL3001/D), 3 Orange (RAL2011/P), 4 Yellow (RAL1018/A), 5 Green (RAL6018/T), 6 Blue (RAL5015/A), 8 Grey (RAL7035/D), 9 White (RAL1102), C Green (RAL6018/U)
- G RoHS compliant (lead<4%) In copper Alloy
- 0000: "@ " Logo (Standard)
- 000A: "ANYTEK" Mark
- 0091: "ANYTEK" Mark
- Any special item by customer request. please contact sales department.

Amphenol ANYTEK				CUSTOMER COPY			
ALL RIGHTS RESERVED. REPRODUCTION OR ISSUE TO THIRD PARTIES IN ANY FORM WHATSOEVER IS NOT PERMITTED WITHOUT WRITTEN AUTHORITY FROM THE PROPRIETOR. PROPERTY OF ANYTEK TECHNOLOGY CO., LTD							
TITLE		OQ 5.08mm 90° /Close Series 2p-24p					
PART NO.		OQxx54x1xxxxG			DWG NO.		80Q0704
APPROVED		CHECKED	DESIGNED	DRAWN	CUST NO.		Tolerance
			Evan	Chen Bo			X. ±0.50
			07/26-16	11/14`12			X.X ±0.30
					SHEET: 01/01		X.XX ±0.10
					REV.: K		X° ±1°