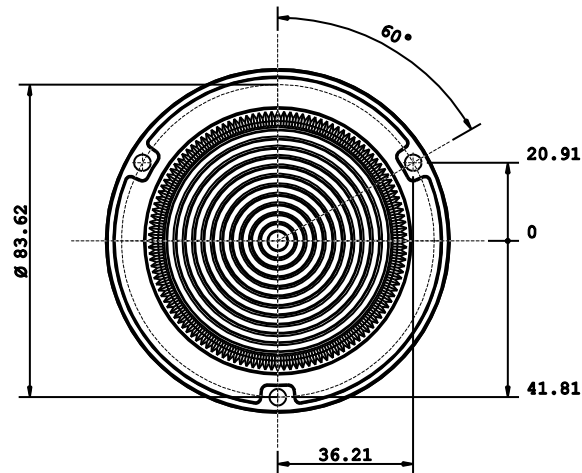


©



Note:
 - Dimensions in inches into brackets
 - For missing dimensions see 3D file
 - All surfaces finishing by EDM 25 VDI
 - RED surface = gate material. Evaluate use hot runner.
 © = Quality Control Dimensions (QCD)

" Project and design owned by Khatod OPTOELECTRONIC s. r. l." The technical solutions adopted in this design are Khatod intellectual property, they cannot be reproduced and transmitted to third parties without our prior written permission. Unauthorized disclosure of confidential proprietary information will be prosecuted by law.			
DESCRIPTION : Light Diffuser		DESIGNER : LM/TAZ	PROJECTS : PLL 2112
CODE : PLL 2112	CHECKED : LM/TAZ	CONTROLLED : LM/TAZ	DATA : 27/02/2018
KHATOD Via Alessandrina,25 Cusano Milanino MILANO ITALIA WWW.KHATOD.COM	All Dimensions in mm General Tolerances +/-0.20 mm		HEAT TREATMENT: None
			MATERIAL: PC
SCALE : 1 : 1			SHEET : 1 of 1