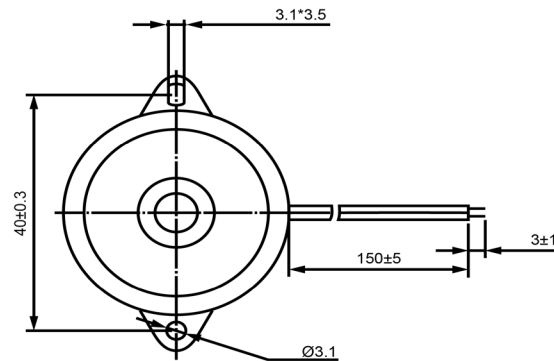
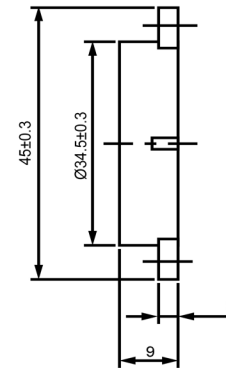



TOP VIEW



SIDE VIEW



| Specifications | | | Notes | Revision History | | | | | |
|-----------------------|--------------|-------|--|-------------------------|---------------------------|------------|-------------------|-------------|------------|
| Description | Value | Unit | | Version | Description | Date | Approved | | |
| Technology | Piezo | | 1) All dimensions are in mm unless otherwise noted 2) All parts meet RoHS  | 1 | Released from Engineering | 10/21/2013 | J.S | | |
| Resonant Frequency | 1,100 | (Hz) | | | | | | | |
| Rated Voltage | 10 | (V) | | | | | | | |
| SPL @ 10cm | 85 | (dBA) | | | | | | | |
| Capacitance | 50,000 | (pF) | | | | | | | |
| Mount Type | Flange Mount | | | | | | | | |
| Voltage Range | 1 ~ 30 | (V) | | | | | | | |
| Max Rated Current | 9 | (mA) | | | | | | | |
| Housing Material | ABS | | | | | | | | |
| Operating Temperature | -20 ~ +60 | °C | | | | | | | |
| Storage Temperature | -30 ~ +70 | °C | | | | | | | |
| Weight | 5 | (g) | | | | | | | |
| | | | | Drawn by | Date | Checked by | Date | Approved by | Date |
| | | | | A.B. | 10/21/2013 | C.E. | 10/21/2013 | J.S | 10/21/2013 |
| | | | | Piezo Transducer | | | TP341110-1 | | |