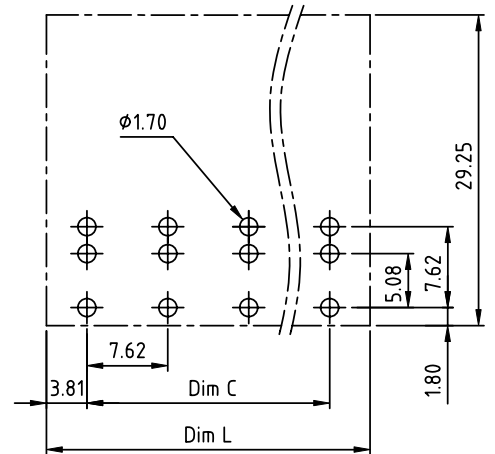
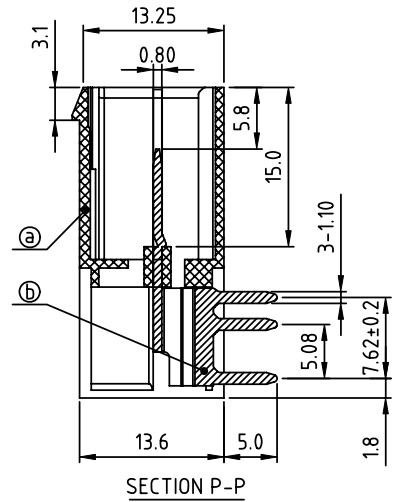
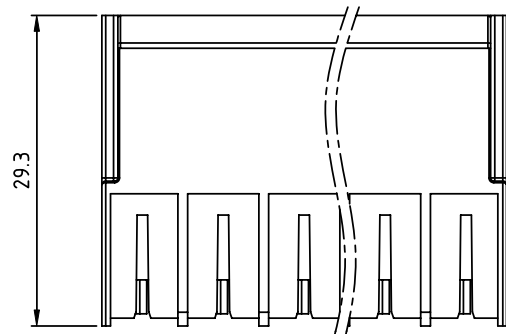
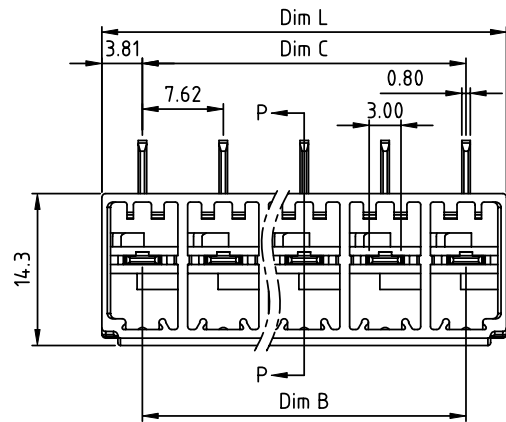


PRODUCT NUMBER	PITCH
VCxx00xB00J0G	7.62 mm



RECOMMENDED P.C.B LAYOUT
TOP VIEW

Material:

- Item ① Terminal(housing):Thermoplastic (UL94V-0)
- Item ② Pin: Copper Tin plated

Electrical: cULus

- Voltage rating:300V
- Current rating:41A
- Withstanding Voltage:1.6 KV
- Operating temperature:-40°C to +115°C
- Soldering temperature:260°C±5°C/5 Sec
- Safety Approval:

DIMENSION

Dim L	N×7.62
Dim B	(N-1)×7.62
Dim C	(N-1)×7.62

N=Number of poles

Poles	Tolerance
2p-5p	±0.20
6p-12p	±0.30
13p-16p	±0.40

PART NO.: VCxx00xB00J0G

↓	Color	↓	RoHS compliant
Solid block	0 Black (RAL9005)	↓	(lead<4%)
No. of poles	2 Red (RAL3001/D)	↓	In copper Alloy
02 2 poles	3 Orange(RAL2011/P)		
03 3 poles	4 Yellow(RAL1018/A)		
... ..	5 Green(RAL6018/T)		
16 16 poles	6 Blue (RAL5015/A)		
	8 Grey(RAL7035/D)		
	9 White(RAL1102)		
	C Green(RAL6018/U)		

mat'l. code	surface ASME Y14.5	tolerance ASME Y14.5	projection	product family
ltr	ecn	no	dr	date
tolerances unless otherwise specified				TERMINAL BLOCK
angles	0	X.±0.5	MM	title
0	X.X±0.3			
X°±1°	X.XX±0.1	scale	TERMINAL BLOCK PLUGGABLE SOCKET,RIGHT ANGLE THREE TAILS TYPE,MOUNTING ONTO THE PCB	
dr	EVIN ZHONG	050714	dwg no	sheet 1 of 1 size
enrg	EVIN ZHONG	050714	VCxx00xB00J0G	A4
chr	HANKE FENG	050714	type	CUSTOMER Drawing
appd	SHI JUN	050714		
sheet index	revision	A		
	sheet	1		