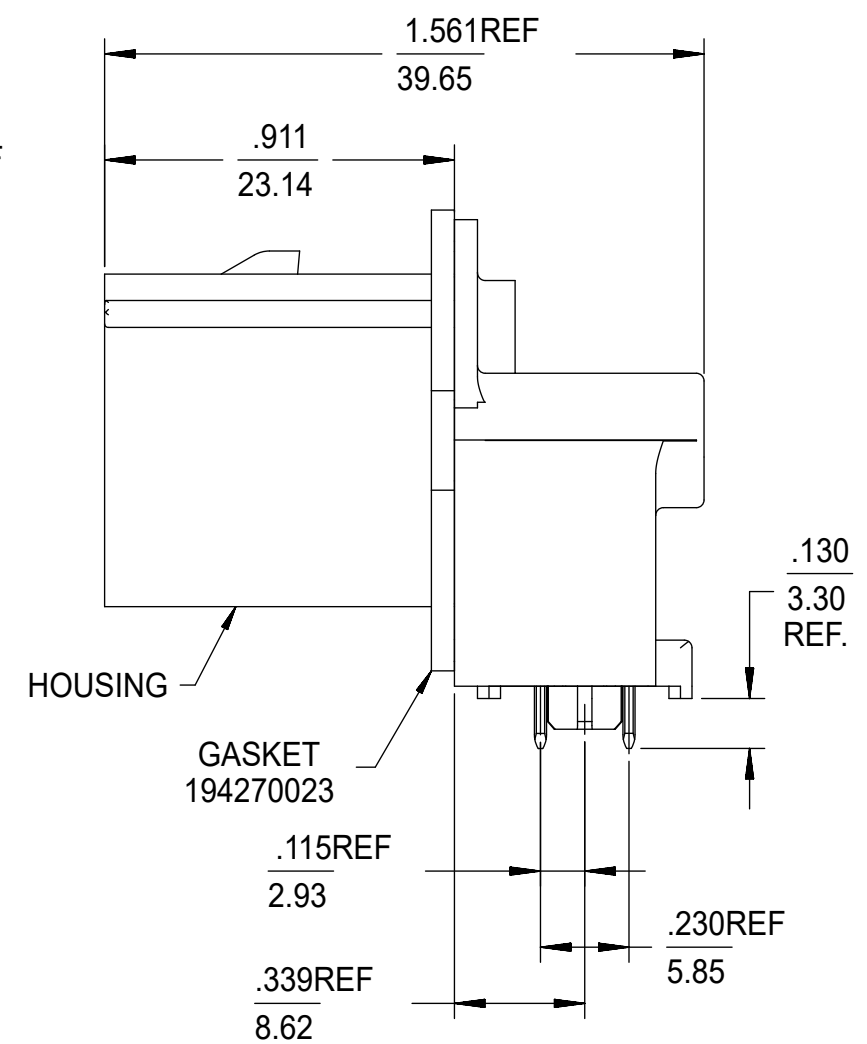
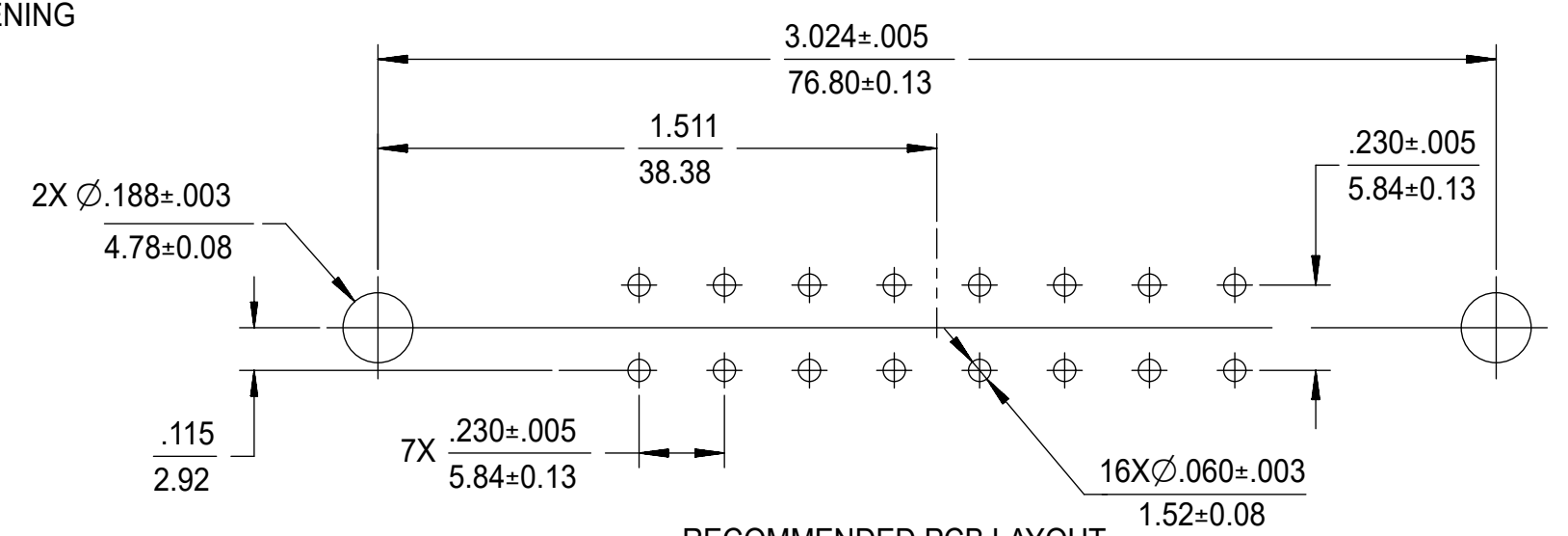
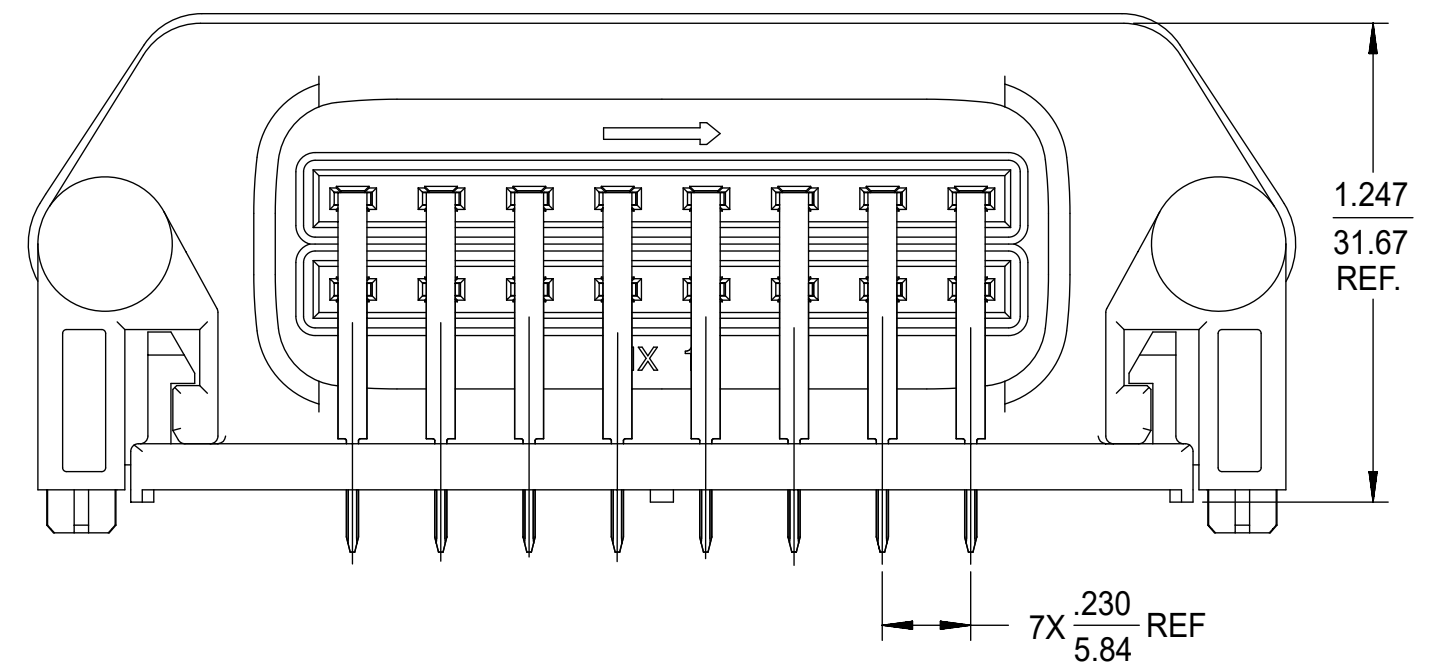


RECOMMENDED PANEL MOUNT OPENING
MAX PANEL THK .080/2.03



RECOMMENDED PCB LAYOUT
COMPONENT SIDE
TOLERANCES ARE NON-ACCUMULATIVE



NOTES:

- MATERIALS:
HOUSING: POLYESTER (PBT), GLASS FILLED, UL94 V-0,
COLOR: BLACK
TERMINALS: COPPER ALLOY
- TERMINAL FINISHES:
1. TIN ONLY: 100µIN TIN OVER 50µIN NICKEL
2. TIN/GOLD: 30µIN SELECT GOLD (CONTACT MATING AREA),
100µIN SELECT TIN (PCB TAIL AREA) OVER 50µIN NICKEL OVERALL.
- PRODUCT SPECIFICATION: PS-19427-001.
- PACKAGING SPECIFICATION: PK-19427-001.
- MATES WITH: 19418 SERIES RECEPTACLE ASSEMBLIES.
- RECOMMENDED MOUNTING HARDWARE: (2)#10 X .62/18.9 LONG PLASTIC
THREAD CUTTING SCREWS. RECOMMENDED TORQUE 15-17 IN-LBS.
SUGGESTED SOURCE: ITW SHAKEPROOF INDUSTRIAL BOSSCREW OR EQUIVALENT.

PART NO.	TERMINAL PLATING
194270049	TIN
194270102	SELECT GOLD/TIN

THIS DRAWING CONTAINS INFORMATION THAT IS PROPRIETARY TO MOLEX ELECTRONIC TECHNOLOGIES, LLC AND SHOULD NOT BE USED WITHOUT WRITTEN PERMISSION		CURRENT REV DESC: CORRECT PITCH DIM ON REC. PCB LAYOUT TO .230 ±.005 / 5.84 ±0.13	
DIMENSION UNITS	SCALE	EC NO: 742161	
INCH/MM	NTS	DRWN: WLEUNG	2023/03/11
GENERAL TOLERANCES (UNLESS SPECIFIED)		CHK'D: VOU	2023/03/13
4 PLACES	±	APPR: HKNEELAND	2023/03/14
3 PLACES	±	INITIAL REVISION:	
2 PLACES	± 0.38	DRWN: JLMASTR	2004/06/25
1 PLACE	±	APPR: RDEROSS	2004/06/28
0 PLACES	±	ANGULAR TOL ± 1.0 °	
DRAFT WHERE APPLICABLE MUST REMAIN WITHIN DIMENSIONS		THIRD ANGLE PROJECTION	DRAWING SERIES
		C-SIZE	19427

molex

16 WAY RIGHT ANGLE
HEADER ASSEMBLY

PRODUCT CUSTOMER DRAWING

DOCUMENT NUMBER	DOC TYPE	DOC PART	REVISION
SD-19427-025	PSD	001	C

MATERIAL NUMBER	CUSTOMER	SHEET NUMBER
SEE TABLE	GENERAL MARKET	1 OF 1