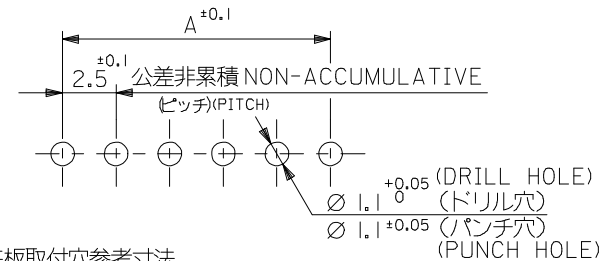
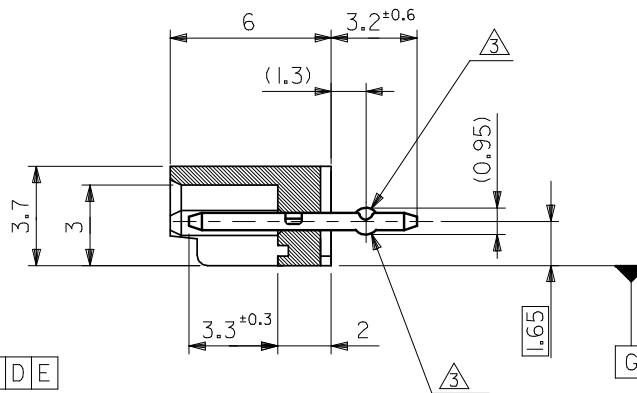
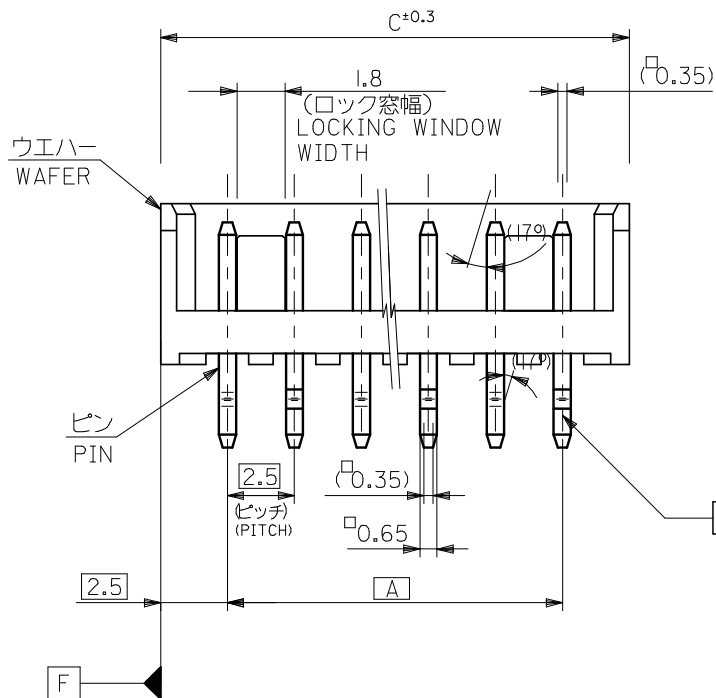


回路番号1表示マーク
CIRCUIT NO.1 MARK

⊕ ⌀0.6 D E



基板取付穴参考寸法
RECOMMENDED P.C. BOARD
HOLE DIM.(REFERENCE)
(T = 1.6)



ウエハー
WAFER

(ロック窓幅)
LOCKING WINDOW
WIDTH

ピン
PIN

⊕ ⌀0.6 F G

注記 NOTES

- 材料 MATERIAL
ウエハー : PBT (ガラス15%入り) G.F.15%
WAFER : UL94V-0
ピン : 黄銅, 錫メッキ
PIN : BRASS, PRE-TINNED
- 嵌合相手 52419-***10
MATE WITH
- キックは全ピンに交互に付加。
SET KINK ALTERNATELY TO ALL PIN.
- 各部のソリは0.2MAX.
CAMBER: 0.2MAX

40	38.64	35	53291-1510	15
37.5	36.14	32.5	-1410	14
35	33.64	30	-1310	13
32.5	31.14	27.5	-1210	12
27.5	26.14	22.5	-1010	10
25	23.64	20	-0910	9
22.5	21.14	17.5	-0810	8
20	18.64	15	-0710	7
17.5	16.14	12.5	-0610	6
15	13.64	10	-0510	5
12.5	11.14	7.5	-0410	4
10	8.64	5	53291-0310	3
C	B	A	MATERIAL NO.	極数 CKT.
			MODEL NO.	53291-***10

REVISED EC NO: J2008-3433 DRW: NAKAMURAA 2008/04/16 CHKD: T. HIRUYAMA 2008/04/16 APPR: NUKITA 2008/07/02	GENERAL TOLERANCES (UNLESS SPECIFIED)		DIMENSION STYLE MM ONLY		SCALE ---	DESIGN UNITS METRIC	THIRD ANGLE PROJECTION	
	10 UNDER	±0.2	DRAWN BY S. AIHARA		DATE '90/7/11		TITLE 2.5 BOARD TO BOARD CONN. WAFER ASSY	
	10 OVER 30 UNDER	±0.25	CHECKED BY Y. M		DATE '94/7/4		MOLEX INCORPORATED	
	30 OVER	±0.3	APPROVED BY M. FUKUSHIMA		DATE '94/7/4		DOCUMENT NO. SD-53291-005	
	ANGULAR	±3 °	MATERIAL NO. SEE TABLE		SHEET NO. 1 OF 1			
DRAFT WHERE APPLICABLE MUST REMAIN WITHIN DIMENSIONS		THIS DRAWING CONTAINS INFORMATION THAT IS PROPRIETARY TO MOLEX INCORPORATED AND SHOULD NOT BE USED WITHOUT WRITTEN PERMISSION						