

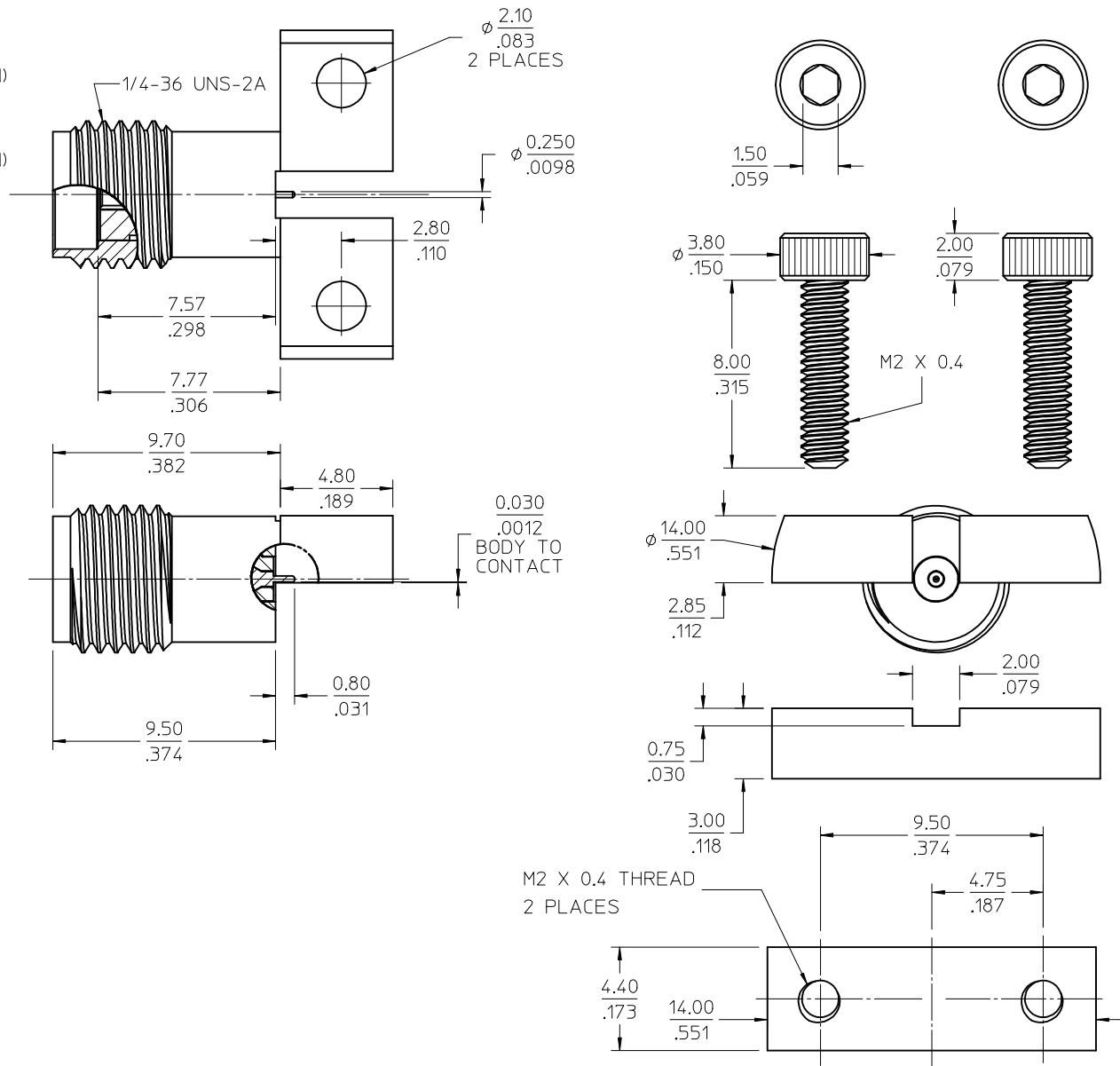
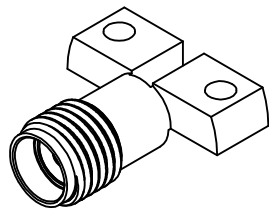
MATERIALS:

BODY, BOTTOM BRACKET: BRASS  
 PLATED GOLD (0.15µm MIN) OVER NICKEL (HIGH PHOS 2 µm MIN)

CENTER CONTACT: BERYLLIUM COPPER  
 PLATED GOLD (0.15µm MIN) OVER NICKEL (HIGH PHOS 2 µm MIN)

INSULATOR: PTFE

SCREW: 12.9 ALLOY STEEL



PART # 73251-4710

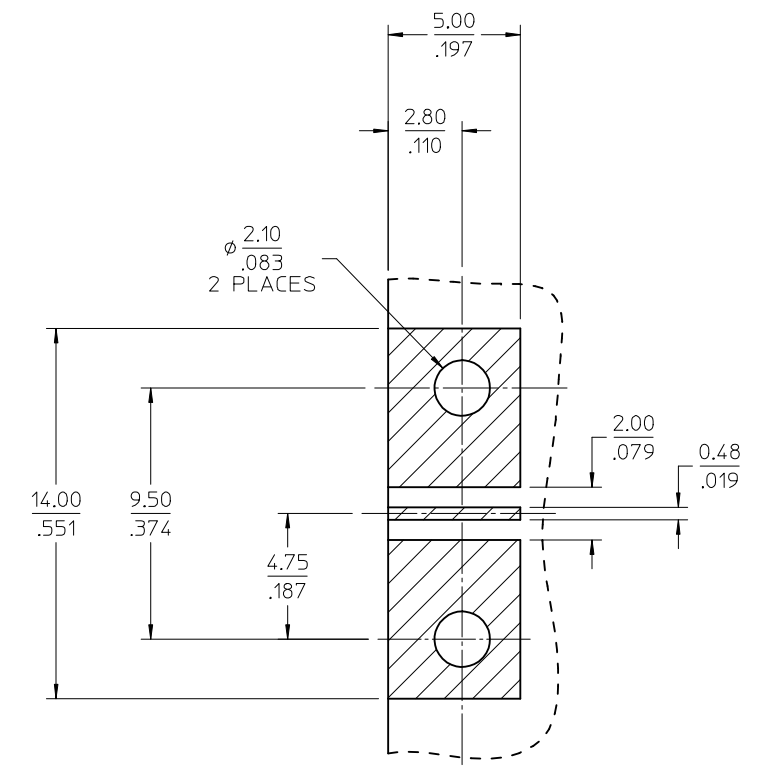
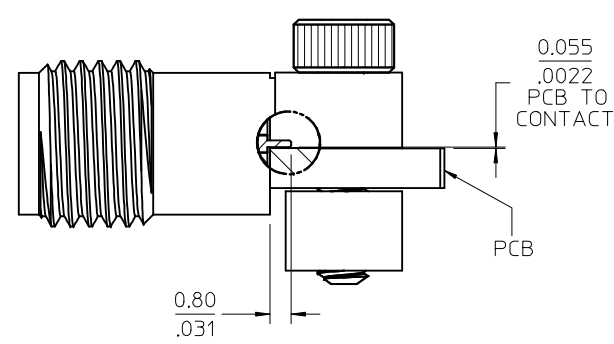
PS-89675-3460	PRODUCT SPECIFICATION
MIL-STD-348A, FIG. 310-2	INTERFACE
SPECIFICATION	DESCRIPTION

CHG: RELEASE DRAWING EC NO: URF2014-0136 DRW: AROBERTSON 2013/08/30 CHKD: SSS 2013/08/30 APPR: JWENER 2013/09/12	QUALITY SYMBOLS	GENERAL TOLERANCES (UNLESS SPECIFIED)	DIMENSION STYLE	SCALE	DESIGN UNITS	THIRD ANGLE PROJECTION
	▽=0	mm INCH	MM/IN	INCH	INCH	
	▽=0	4 PLACES ± --- ± ---	DRAWN BY DATE	TITLE		
	▽=0	3 PLACES ± --- ± ---	CHECKED BY DATE			

2 PLACES ± --- ± ---	APPROVED BY DATE		
1 PLACE ± --- ± ---	JWENER 2013/09/12		
ANGULAR ± 2 °	MATERIAL NO.	DOCUMENT NO.	SHEET NO.
DRAFT WHERE APPLICABLE MUST REMAIN WITHIN DIMENSIONS	732514710	SD-73251-471	1 OF 2

SIZE	THIS DRAWING CONTAINS INFORMATION THAT IS PROPRIETARY TO MOLEX INCORPORATED AND SHOULD NOT BE USED WITHOUT WRITTEN PERMISSION
------	---

MOLEX MOLEX INCORPORATED	
--------------------------	--



PCB LAYOUT

CHG: SEE SHEET 1. EC NO: URF2014-0136 DRWN: AROBERTSON 2013/08/30 CHKD: SSS 2013/08/30 APPR: JWIENER 2013/09/12	QUALITY SYMBOLS	GENERAL TOLERANCES (UNLESS SPECIFIED)		DIMENSION STYLE	SCALE	DESIGN UNITS	THIRD ANGLE PROJECTION
	$\nabla = 0$	mm	INCH	MM/IN	INCH	INCH	
	$\nabla = 0$	4 PLACES ± ---	± ---	AROBERTSON	DATE	TITLE	
	$\nabla = 0$	3 PLACES ± ---	± ---	CHECKED BY	DATE	SMA J EDGE LAUNCH FR PCB SCREW MOUNT SMA-J/PCB, EWR-4893	
		2 PLACES ± ---	± ---	SSS	2012/02/09	MOLEX INCORPORATED	
		1 PLACE ± ---	± ---	APPROVED BY	DATE	MATERIAL NO.	
		ANGULAR ± 2 °		JWIENER	2013/09/12	DOCUMENT NO.	
		DRAFT WHERE APPLICABLE MUST REMAIN WITHIN DIMENSIONS		SEE SHEET 1		SD-73251-471	
				SIZE		SHEET NO.	
				C THIS DRAWING CONTAINS INFORMATION THAT IS PROPRIETARY TO MOLEX INCORPORATED AND SHOULD NOT BE USED WITHOUT WRITTEN PERMISSION		2 OF 2	