

Han 200A axial module, female 40-70 mm²

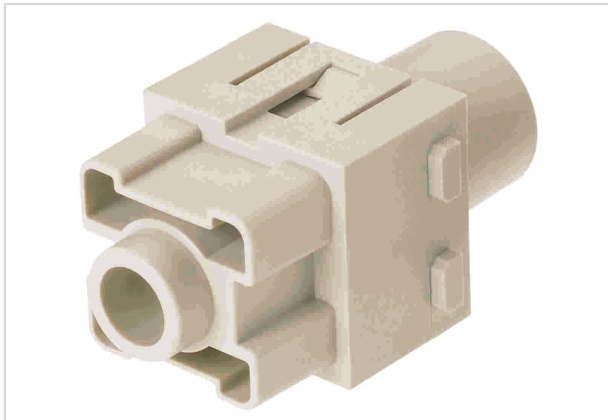


Image is for illustration purposes only. Please refer to product description.

Part number	09 14 001 2762
Specification	Han 200A axial module, female 40-70 mm ²
HARTING eCatalogue	https://b2b.harting.com/09140012762

Identification

Category	Modules
Series	Han-Modular®
Type of module	Han® 200 A module

Version

Termination method	Axial screw termination
Gender	Female
Number of contacts	1

Technical characteristics

Conductor cross-section	40 ... 70 mm ²
Rated current	200 A
Rated voltage	1,000 V
Rated impulse voltage	8 kV
Pollution degree	3
Rated voltage acc. to UL	600 V
Insulation resistance	>10 ¹⁰ Ω
Contact resistance	≤0.2 mΩ
Stripping length	16 mm
Tightening torque	9 ... 10 Nm
Limiting temperature	-40 ... +125 °C
Mating cycles	≥500



Pushing Performance

Material properties

Material (insert)	Polycarbonate (PC)
Colour (insert)	RAL 7032 (pebble grey)
Material (contacts)	Copper alloy
Surface (contacts)	Silver plated
Material flammability class acc. to UL 94	V-0
RoHS	compliant with exemption
RoHS exemptions	6(a) / 6(a)-I: Lead as an alloying element in steel for machining purposes and in galvanised steel containing up to 0,35 % lead by weight / Lead as an alloying element in steel for machining purposes containing up to 0,35 % lead by weight and in batch hot dip galvanised steel components containing up to 0,2 % lead by weight 6(c): Copper alloy containing up to 4 % lead by weight
ELV status	compliant with exemption
China RoHS	50
REACH Annex XVII substances	No
REACH ANNEX XIV substances	No
REACH SVHC substances	Yes
REACH SVHC substances	Lead
ECHA SCIP number	5dbb3851-b94e-4e88-97a1-571845975242
California Proposition 65 substances	Yes
California Proposition 65 substances	Nickel Lead Antimony trioxide

Specifications and approvals

Specifications	EN 60664-1 IEC 61984
Approvals	DNV GL
UL / CSA	UL 1977 ECBT2.E235076 UL 2237 PVVA2.E318390 CSA-C22.2 No. 182.3 PVVA8.E318390

Commercial data

Packaging size	1
Net weight	66 g
Country of origin	Germany
European customs tariff number	85366990



Pushing Performance

Commercial data

eCl@ss

27440217 Module for industrial connectors (power/signals)