

THIS DRAWING IS UNPUBLISHED. RELEASED FOR PUBLICATION JAN , 2006.

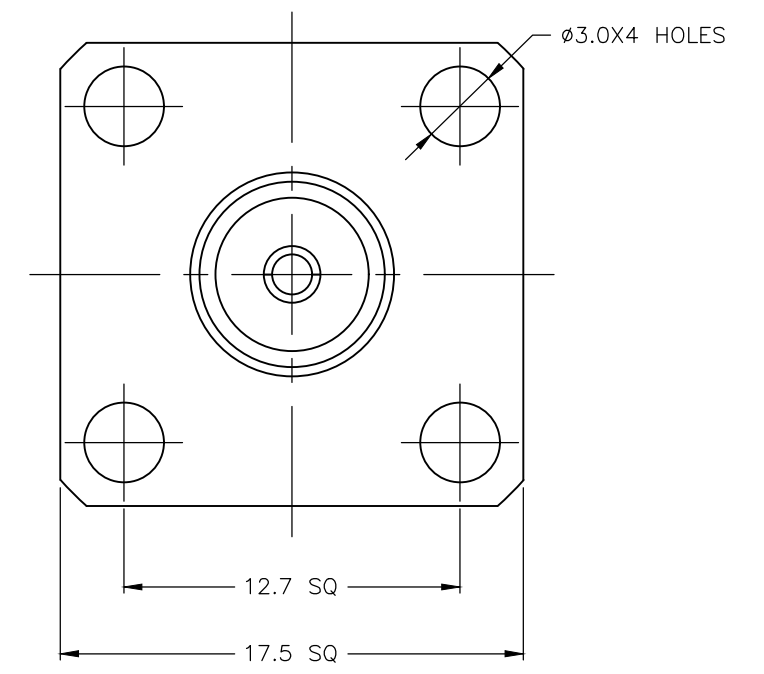
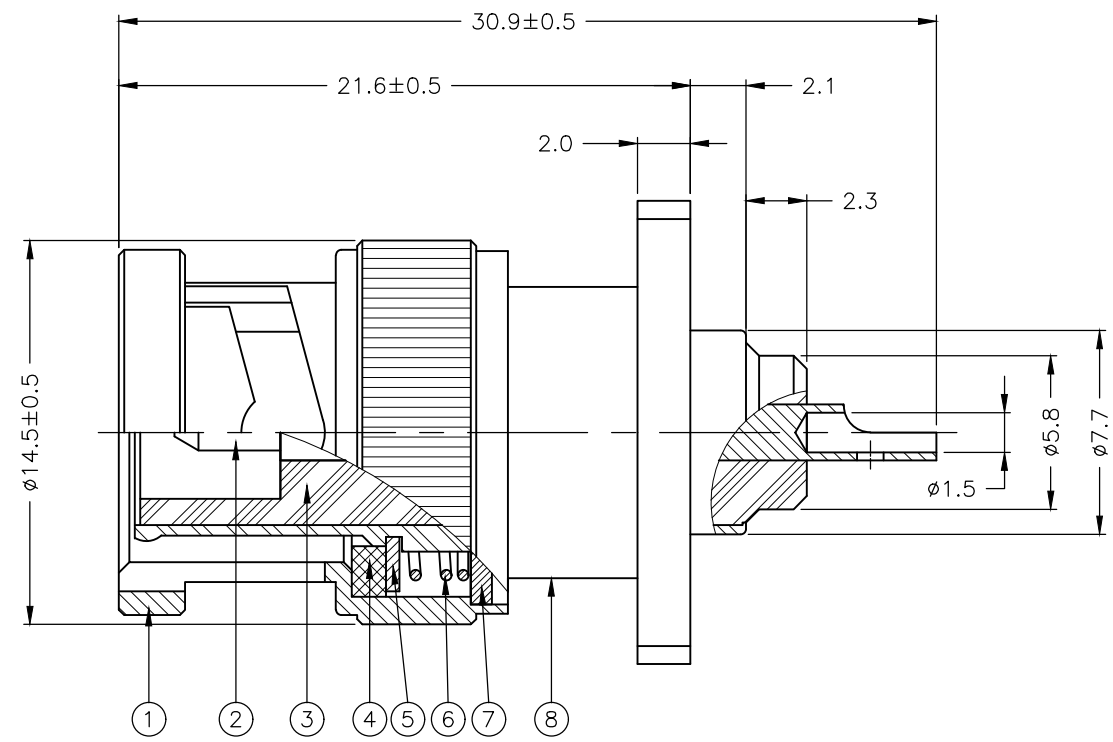
© COPYRIGHT 2006 By - ALL RIGHTS RESERVED.

REVISIONS

P	LTR	DESCRIPTION	DATE	DWN	APVD
	E	ECR-15-001866	04FEB2015	RZ	MC

NOTES:

- 1 PACKAGE ONE COMPLETE CONNECTOR IN HEAT SEALED, LABELED BAG/ 250 PER SHIPPING BOX. LABELED PER TEC-107-115.
- 2 100 TRAY PACK IN ACCORDANCE WITH AMP SPEC 107-3275
- 3 Ag PLATING
- 4 Ni PLATING
- 5 PASSIVATION
- 6 THIS ITEM MUST BE WHITE
- 7 ELECTRICAL CHARACTERISTICS
 FREQUENCY RANGE: DC - 4 GHz
 NOMINAL IMPEDANCE: 50 Ohm
 INSULATION RESISTANCE: 5000 MOhm
 WORKING VOLTAGE: 500 Volts RMS at Sea Level
 DIELECTRIC WITHSTAND VOLTAGE: 1500 Volts RMS Max
 CONTACT RESISTANCE:
 CENTER CONTACT: 1.50 mOhm Max
 OUTER CONTACT: 1.00 mOhm Max
 VSWR @ xGHz: 1.5 Max @4GHz
 INSERTION LOSS xdb: 0.5 dB Max @4GHz
- 8 MECHANICAL CHARATERISTICS
 COUPLING RETENTION FORCE: 266N Min
 DURABILITY: 500 Cycles Min
- 9 ENVIRONMENTAL CHARACTERISTICS
 OPERATING TEMPERATURE: -65 to +165 DegC



QTY	QTY PER ASSY	QTY PER ASSY	MATERIAL	DESCRIPTION	ITEM
1	1	1	BRASS	BODY	8
1	1	1	BRASS	WASHER	7
1	1	1	STAINLESS STEEL	SPRING	6
1	1	1	PHOSPHOR BRONZE	RETAINING RING	5
1	1	1	SILICON RUBBER	GASKET	4
1	1	1	PTFE	INSULATION	3
1	1	1	BRASS	CONTACT	2
1	1	1	BRASS	SHELL	1
6--0	1--0				

THIS DRAWING IS A CONTROLLED DOCUMENT.		DWN J.SANDWELL 12JAN06	TE Connectivity NAME: BNC PANEL PLUG 50 OHM				
DIMENSIONS: mm		CHK S.PARLOW 12JAN06					
TOLERANCES UNLESS OTHERWISE SPECIFIED:		APVD F.WHEELER-KING 12JAN06					
0 PLC ± - 1 PLC ± 0.2 2 PLC ± - 3 PLC ± - 4 PLC ± - ANGLES ± -		PRODUCT SPEC -					
MATERIAL SEE TABLE		FINISH -	APPLICATION SPEC -	SIZE A3	CAGE CODE 00779	DRAWING NO C-1337488	RESTRICTED TO -
CUSTOMER DRAWING			WEIGHT -	SCALE NTS	SHEET 1 OF 1	REV E	