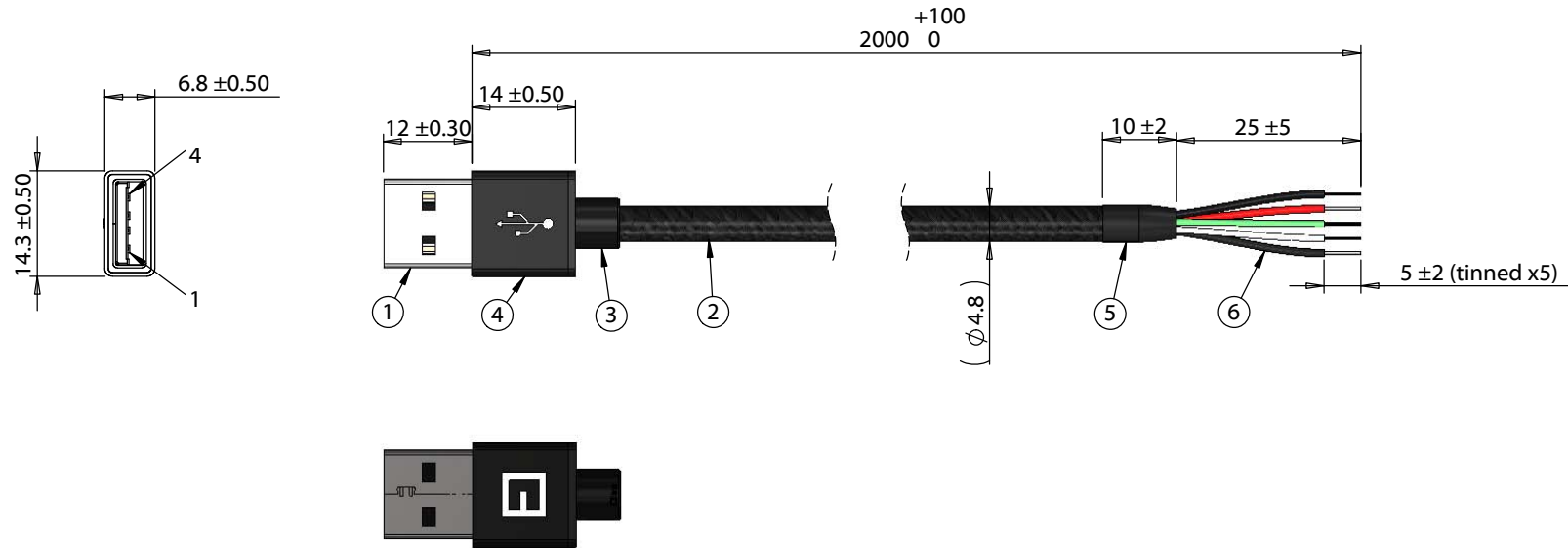


ITEM NO.	PART NUMBER	DESCRIPTION	QTY.	COMPONENT NOTES
1	50-00574	Connector, USB A 2.0 Plug, molding style, 180°, nickel plated shell, black insulator	1	
2	30-01273	Wire, 4C, 1PR 28 AWG, 2C 26 AWG, UL2725, 30V, 80C, 4.8 mm, shielded, PVC, 79A, USB 2.0, nylon braid	1	
3	24-00315	Overmold, plug, USB A, slim design for aluminum shell	1	PVC, black
4	55-00115	USB A plug aluminum shell, 13x14.3x6.8 mm	1	black
5	Heat Shrink	Heat shrink tubing, black	1	Covers jacket stripped end
6	Heat Shrink	Heat shrink tubing, black	1	Covers shield and drain



Wiring diagram	
50-00574	Wire Color
1	Red
2	White
3	Green
4	Black
Shell	Drain & Shield

**Notes:**  
Functionally equivalent components may be substituted

Revision:	Date:	Description:	Prepared:	Notes: RoHS compliant Function test: no open, no short circuit, no intermittent	<h1>TENSILITY</h1> <p>tel 1.541.323.3228 800 877.670.7118 fax 1.541.323.4202 web tensility.com</p>
A	08/12/2019	Initial Release	Verified:		
			Dimensions are in millimeters. Tolerances: X: ± 0.5 mm X.X: ± 0.3 mm X.XX: ± 0.05 mm	Description: Cable, 2000 mm, 50-00574 USB A plug to 5 mm tinned, 26/28 AWG, 30-00872 wire	Size: A
					Part number: 10-03389
					Scale: 1:1
					Sheet 1 of 1

5

4

3

2

1