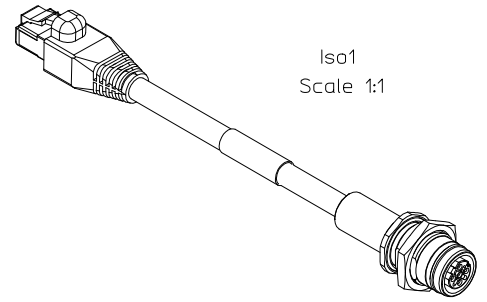
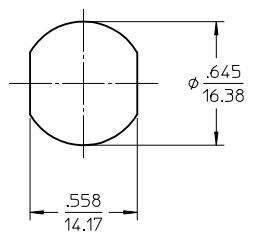
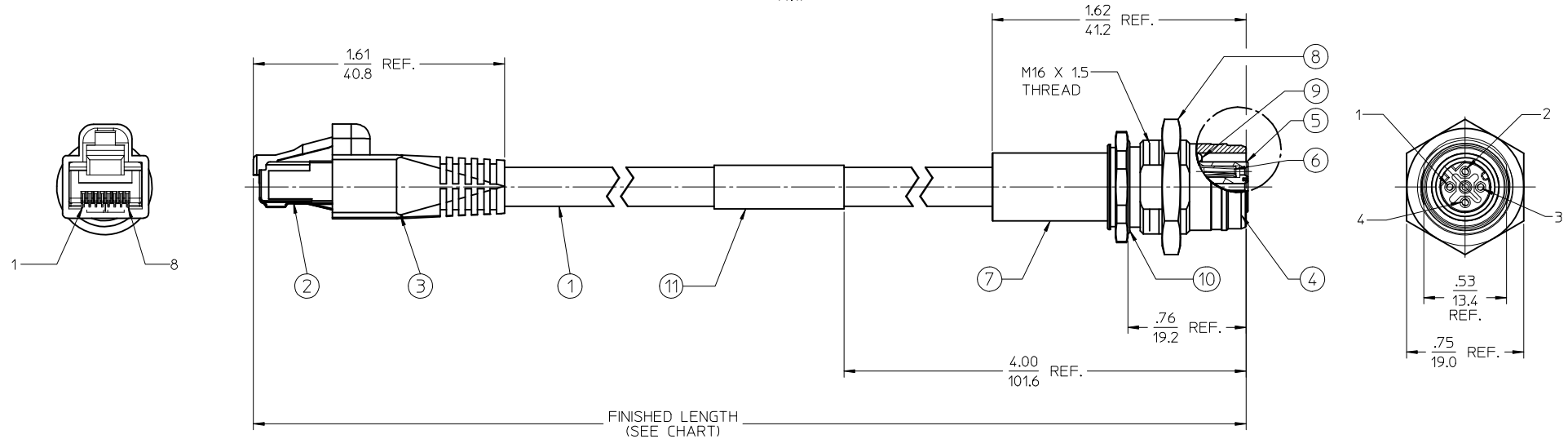


MATERIAL NO.	ENGINEERING NO.	FINISHED LENGTH
1300545003	ERWPAU7003M010	3' 3" +2.19/-0 (1M +55.6mm-0)
1201090003	ERWPAU7003M020	6' 7" +3.50/-0 (2M +88.9mm-0)

PANEL CUTOUT

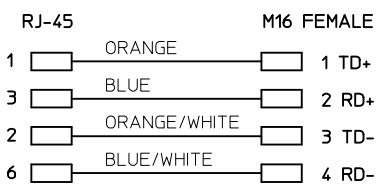


ISO 1  
Scale 1:1



NOTES:

1. MATERIAL: SEE TABLE
2. FINISHES: SEE TABLE
3. ELECTRICAL SPECIFICATIONS  
VOLTAGE RATING: 150V AC/DC  
CURRENT RATING: 1.5 AMPS
4. PROTECTION: IP67
5. ASSEMBLY IS RoHS COMPLIANT BY EXEMPTION



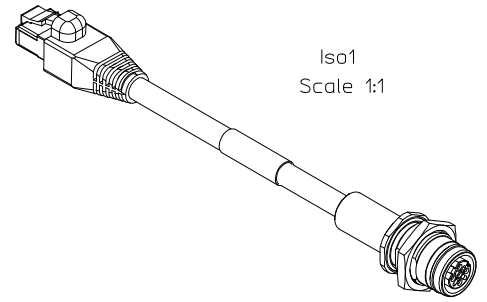
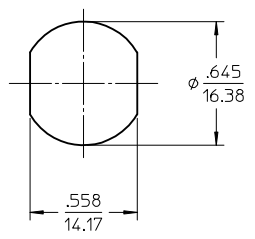
WIRE DIAGRAM

ITEM	QTY.	DESCRIPTION	MATERIAL	FINISH
11	1	WRAP LABEL	VINYL	BLACK/YELLOW
10	1	PANEL MOUNT O-RING	NITRIL	BLACK
9	1	MATING O-RING	VITON	RED
8	1	PANEL NUT	BRASS	NICKEL PLATED
7	1	CABLE SLEEVE	BRASS	NICKEL PLATED
6	4	CONTACT SOCKET	Cu ALLOY	GOLD PLATED
5	1	INSERT, FEMALE, 4P	PUR	BLACK
4	1	RECEPTACLE SHELL	BRASS	NICKEL PLATED
3	1	RJ-45 BOOT	POLYOLEFIN	BLACK
2	1	RJ-45 PLUG	POLYCARB/Cu ALLOY	CLEAR/GOLD PLATED
1	A/R	RJ-45 CABLE, 24/4 CAT 5E ETHERNET	PVC JACKET	TEAL

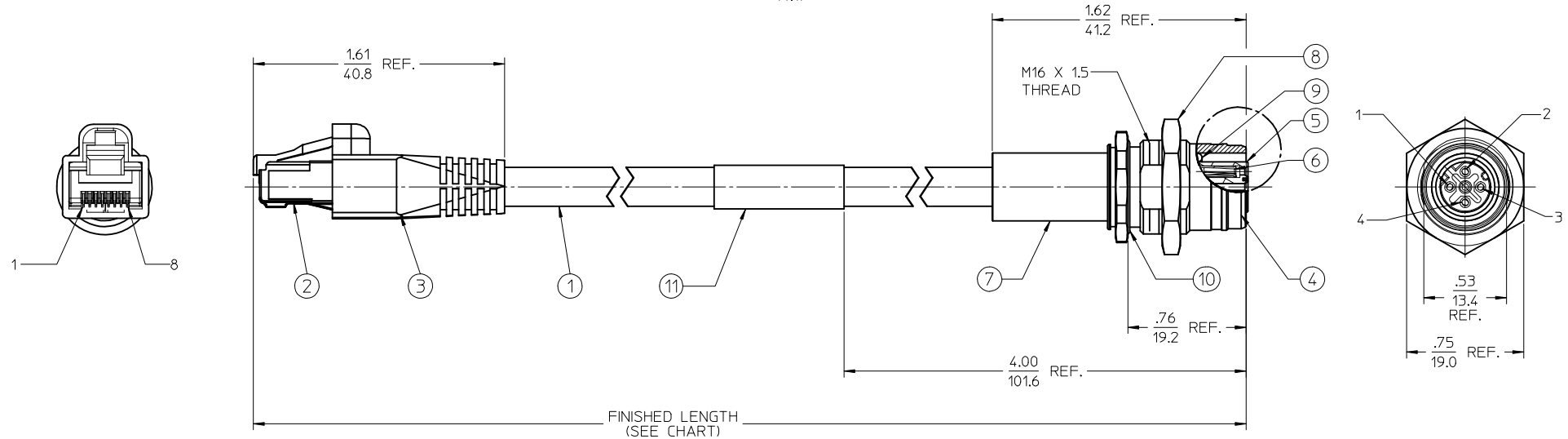
<b>NEW SALES DOC</b> EC NO: IPG2013-1402 DRAWN BY: DRWINRSTONE 2013/03/12 CHECKED BY: CHKDK JOZWIK 2013/03/15 APPR: JFMURPHY 2013/04/25	QUALITY SYMBOLS ▽=0 ▽=0	GENERAL TOLERANCES (UNLESS SPECIFIED) <table border="1"> <tr> <th></th> <th>mm</th> <th>INCH</th> </tr> <tr> <td>4 PLACES</td> <td>± .005</td> <td>± .0005</td> </tr> <tr> <td>3 PLACES</td> <td>± .005</td> <td>± .0005</td> </tr> <tr> <td>2 PLACES</td> <td>± .005</td> <td>± .0005</td> </tr> <tr> <td>1 PLACE</td> <td>± .005</td> <td>± .0005</td> </tr> <tr> <td>0 PLACE</td> <td>± .005</td> <td>± .0005</td> </tr> </table>		mm	INCH	4 PLACES	± .005	± .0005	3 PLACES	± .005	± .0005	2 PLACES	± .005	± .0005	1 PLACE	± .005	± .0005	0 PLACE	± .005	± .0005	DIMENSION STYLE <b>IN/MM</b>	SCALE <b>2:1</b>	DESIGN UNITS <b>INCH</b>	THIRD ANGLE PROJECTION
				mm	INCH																			
4 PLACES	± .005	± .0005																						
3 PLACES	± .005	± .0005																						
2 PLACES	± .005	± .0005																						
1 PLACE	± .005	± .0005																						
0 PLACE	± .005	± .0005																						
DRAWN BY: RSTONE 2013/03/12 CHECKED BY: K JOZWIK 2013/03/15 APPROVED BY: JFMURPHY 2013/04/25	TITLE <b>MIC ETHERNET CORDSET          M16 FEMALE U-LOCK RECEPT          TO RJ-45 PLUG. 24 AWG</b>			<b>molex</b>		SHEET NO. <b>1 OF 1</b>																		
DRAFT WHERE APPLICABLE MUST REMAIN WITHIN DIMENSIONS		MATERIAL NO. <b>SEE CHART</b>		DOCUMENT NO. <b>SD-120109-013</b>		THIS DRAWING CONTAINS INFORMATION THAT IS PROPRIETARY TO MOLEX INCORPORATED AND SHOULD NOT BE USED WITHOUT WRITTEN PERMISSION																		

MATERIAL NO.	ENGINEERING NO.	FINISHED LENGTH
1300545003	ERWPAU7003M010	3' 3" +2.19/-0 (1M +55.6mm-0)
1201090003	ERWPAU7003M020	6' 7" +3.50/-0 (2M +88.9mm-0)

PANEL CUTOUT

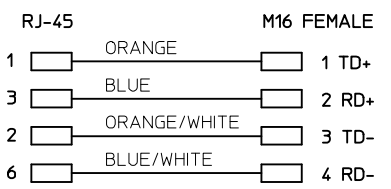


Iso1  
Scale 1:1



NOTES:

1. MATERIAL: SEE TABLE
2. FINISHES: SEE TABLE
3. ELECTRICAL SPECIFICATIONS  
VOLTAGE RATING: 150V AC/DC  
CURRENT RATING: 1.5 AMPS
4. PROTECTION: IP67
5. ASSEMBLY IS RoHS COMPLIANT BY EXEMPTION



WIRE DIAGRAM

ITEM	QTY.	DESCRIPTION	MATERIAL	FINISH
11	1	WRAP LABEL	VINYL	BLACK/YELLOW
10	1	PANEL MOUNT O-RING	NITRIL	BLACK
9	1	MATING O-RING	VITON	RED
8	1	PANEL NUT	BRASS	NICKEL PLATED
7	1	CABLE SLEEVE	BRASS	NICKEL PLATED
6	4	CONTACT SOCKET	Cu ALLOY	GOLD PLATED
5	1	INSERT, FEMALE, 4P	PUR	BLACK
4	1	RECEPTACLE SHELL	BRASS	NICKEL PLATED
3	1	RJ-45 BOOT	POLYOLEFIN	BLACK
2	1	RJ-45 PLUG	POLYCARB/Cu ALLOY	CLEAR/GOLD PLATED
1	A/R	RJ-45 CABLE, 24/4 CAT 5E ETHERNET	PVC JACKET	TEAL

NEW SALES DOC  
EC NO: IPG2013-1402  
DRAWN BY: DRWINRSTONE 2013/03/12  
CHKD BY: JOZWIK 2013/03/15  
APPR: JF MURPHY 2013/04/25

QUALITY SYMBOLS	GENERAL TOLERANCES (UNLESS SPECIFIED)	DIMENSION STYLE	SCALE	DESIGN UNITS	THIRD ANGLE PROJECTION
▽=0	4 PLACES ± --- INCH	IN/MM	2:1	INCH	THIRD ANGLE PROJECTION
▽=0	3 PLACES ± --- INCH				
	2 PLACES ± --- INCH				
	1 PLACE ± 0.3 INCH				
	0 PLACE ± --- INCH				
	ANGULAR ± 2 °				
	DRAFT WHERE APPLICABLE MUST REMAIN WITHIN DIMENSIONS				
		MATERIAL NO.	DOCUMENT NO.		SHEET NO.
		SEE CHART	SD-120109-013		1 OF 1
		THIS DRAWING CONTAINS INFORMATION THAT IS PROPRIETARY TO MOLEX INCORPORATED AND SHOULD NOT BE USED WITHOUT WRITTEN PERMISSION			