

6

5

4

3

2

1

E

E

D

D

C

C

B

B

A

A

6

5

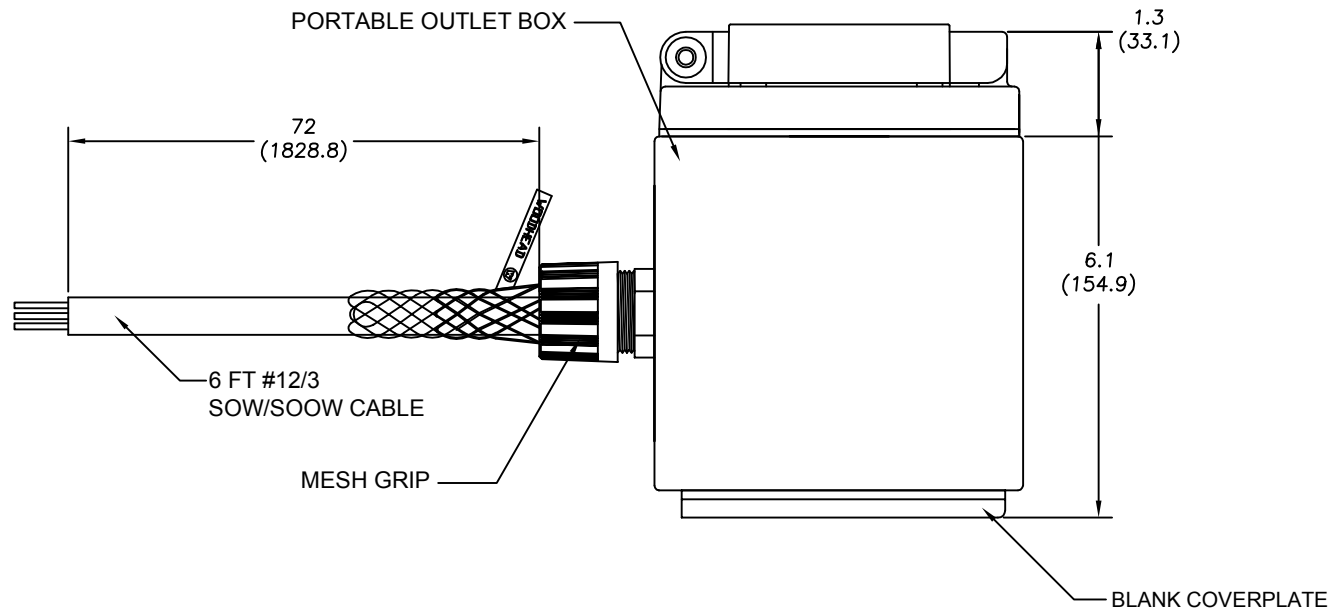
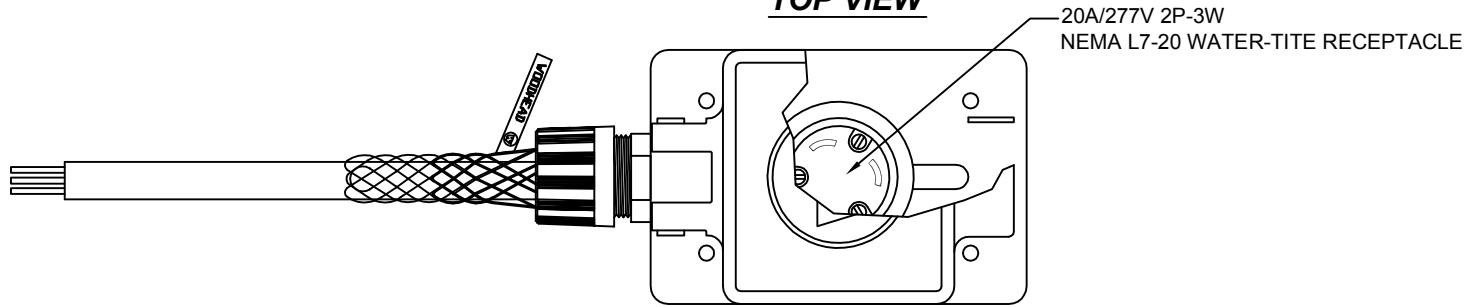
4

3

2

1

**TOP VIEW**



RELEASE DRAWING EC NO: WNA2010-0227 DRWN: TVICKERS 9/24/09 CHKD: KA APPR: DTITUS 2009/10/21	DESCRIPTION DTITUS	<b>QUALITY SYMBOLS</b> ▽=0 ∇C=0	<b>GENERAL TOLERANCES (UNLESS SPECIFIED)</b>		<b>DIMENSION STYLE</b> IN/MM		SCALE NTS	DESIGN UNITS INCH	THIRD ANGLE PROJECTION		
		4 PLACES ±--- ±---	mm INCH ±--- ±---	DRAWN BY TV	DATE 2009/09/24	TITLE PORTABLE OUTLET BOX W/ 6#12/3 459 COVER & MESH GRIP					
		3 PLACES ±--- ±.005	±--- ±.005	CHECKED BY HK	DATE 2009/09/24	MOLEX INCORPORATED					
		2 PLACES ±--- ±.020	±--- ±.020	APPROVED BY DTITUS	DATE 2009/10/15	DOCUMENT NO. SD-130137-011					
		1 PLACE ±--- ±.010	±--- ±.010	MATERIAL NO. 1301370269		SIZE A		THIS DRAWING CONTAINS INFORMATION THAT IS PROPRIETARY TO MOLEX INCORPORATED AND SHOULD NOT BE USED WITHOUT WRITTEN PERMISSION			
DRAFT WHERE APPLICABLE MUST REMAIN WITHIN DIMENSIONS			ANGULAR ±.5°				SHEET NO. 1 OF 1				