

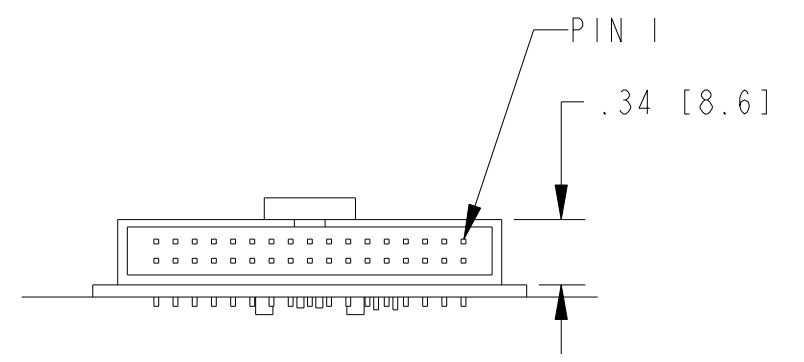
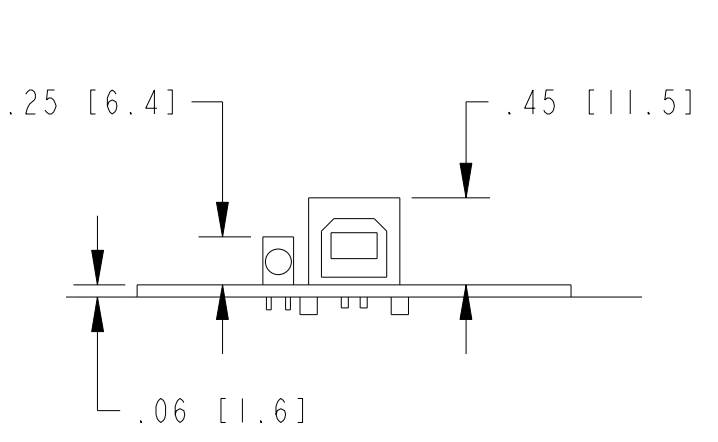
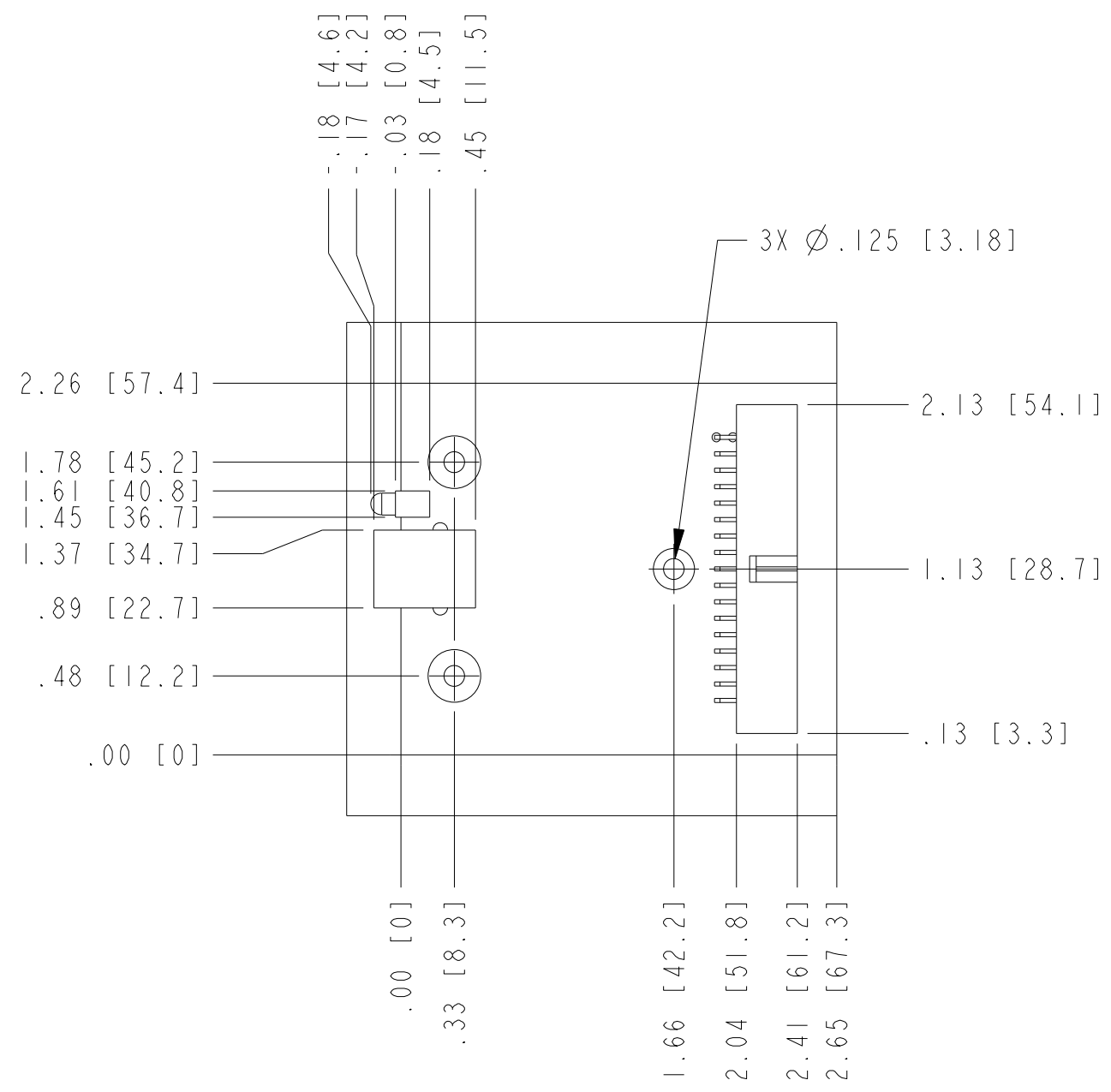
4

3

2

1

COPYRIGHT ©2008
NATIONAL INSTRUMENTS CORPORATION AND ITS LICENSORS. ALL RIGHTS RESERVED.

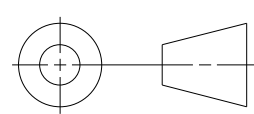


CUSTOMER DRAWING

UNLESS OTHERWISE SPECIFIED
DIMENSIONS ARE IN INCHES AND
[MILLIMETERS].

DO NOT SCALE DRAWING

THIRD ANGLE PROJECTION



NATIONAL INSTRUMENTS® AUSTIN, TEXAS

TITLE
NI USB-6501 OEM
DATA ACQUISITION DEVICE

| | | | |
|--------|-------|-----------|------------|
| SIZE | CODE | IDENT NO. | MM/DD/YYYY |
| C | 7U296 | | 06/27/08 |
| SCALE: | 1/1 | SHEET | 1 OF 1 |

4

3

2

1