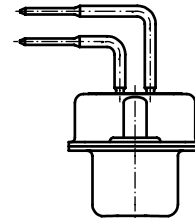
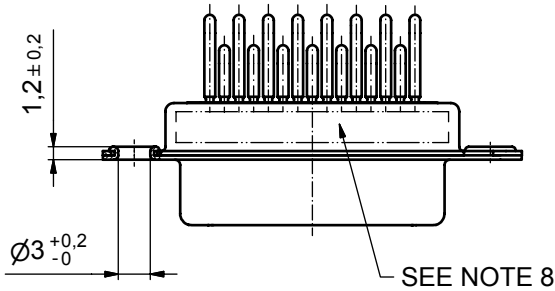
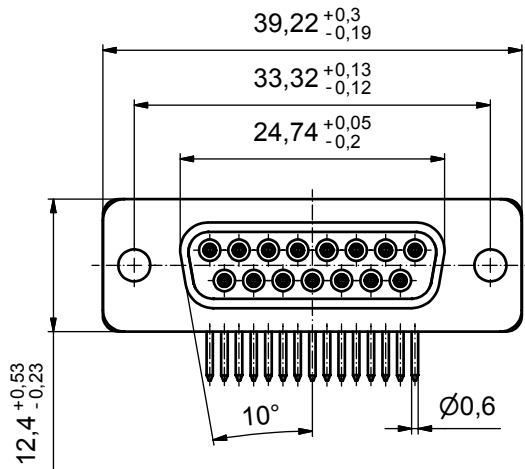
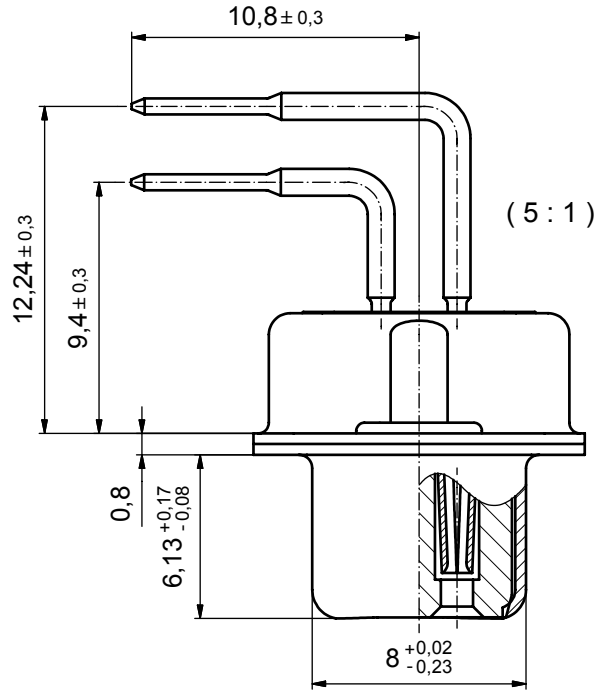
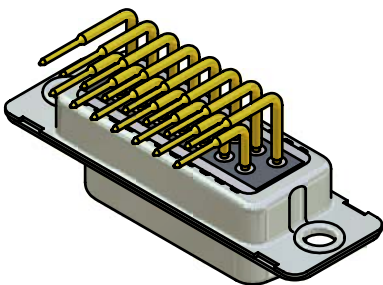


P.C.B. HOLE DRILLINGS



NOTES:

1. RoHS COMPLIANT
2. SUITABLE FOR WAVESOLDERING
3. METALSHELLS: STEEL; min. 315µm TIN over 40-80µm NICKEL
4. INSULATOR: HIGH TEMPERATURE PLASTIC UL 94 V-0, BLACK
5. CONTACTS: COPPER ALLOY
PLATING: 8µm HARD GOLD over min. 50µm NICKEL
CONTACT TAILS PRETINNED
6. CAPACITANCE: 830pF ±20%
7. DIELECTRIC WITHSTANDING VOLTAGE: 424 VDC
8. CONNECTOR IS PART MARKED: 242A10940X CONEC ABC



Directive 2002/95 EC
RoHS
Compliant

APPROVAL # FREIGABE # DEBLOCAGE # AUTORIZACION # APPROVAL	
CUSTOMER APPROVAL DATE:	
NAME:	TITLE:
COMPANY NAME:	
APPROVAL # FREIGABE # DEBLOCAGE # AUTORIZACION # APPROVAL	

THIS DRAWING MAY NOT BE COPIED OR REPRODUCED IN ANY WAY, AND MAY NOT BE PASSED ON TO A THIRD PARTY WITHOUT WRITTEN PERMISSION. OWNERSHIP AND COPYRIGHT OF CONEC GmbH DO NOT ALTER CAD DRAWING BY HAND				tolerance		 dim. in mm	scale: 2:1 (5:1)	
				date			material: SEE NOTES	
drawn		05.02.07		name		title:		
appd.		05.02.07		Mickenbecker		D-SUB FILTER FEMALE 90° 15pos. SOLDER PIN ANGLED 0.370inch		
norm		DIN 41652		dwg no:				Inventor 10
d-old						sh: 1		
a		Origin		CONEC®		24K1A970		
rev.	description	date	name			part no:		242A10940X